

IF THIS SHEET IS NOT 24 X 36 IT IS A REDUCED SCALE PRINT - SCALE ACCORDINGLY

SCALE 1"=1'

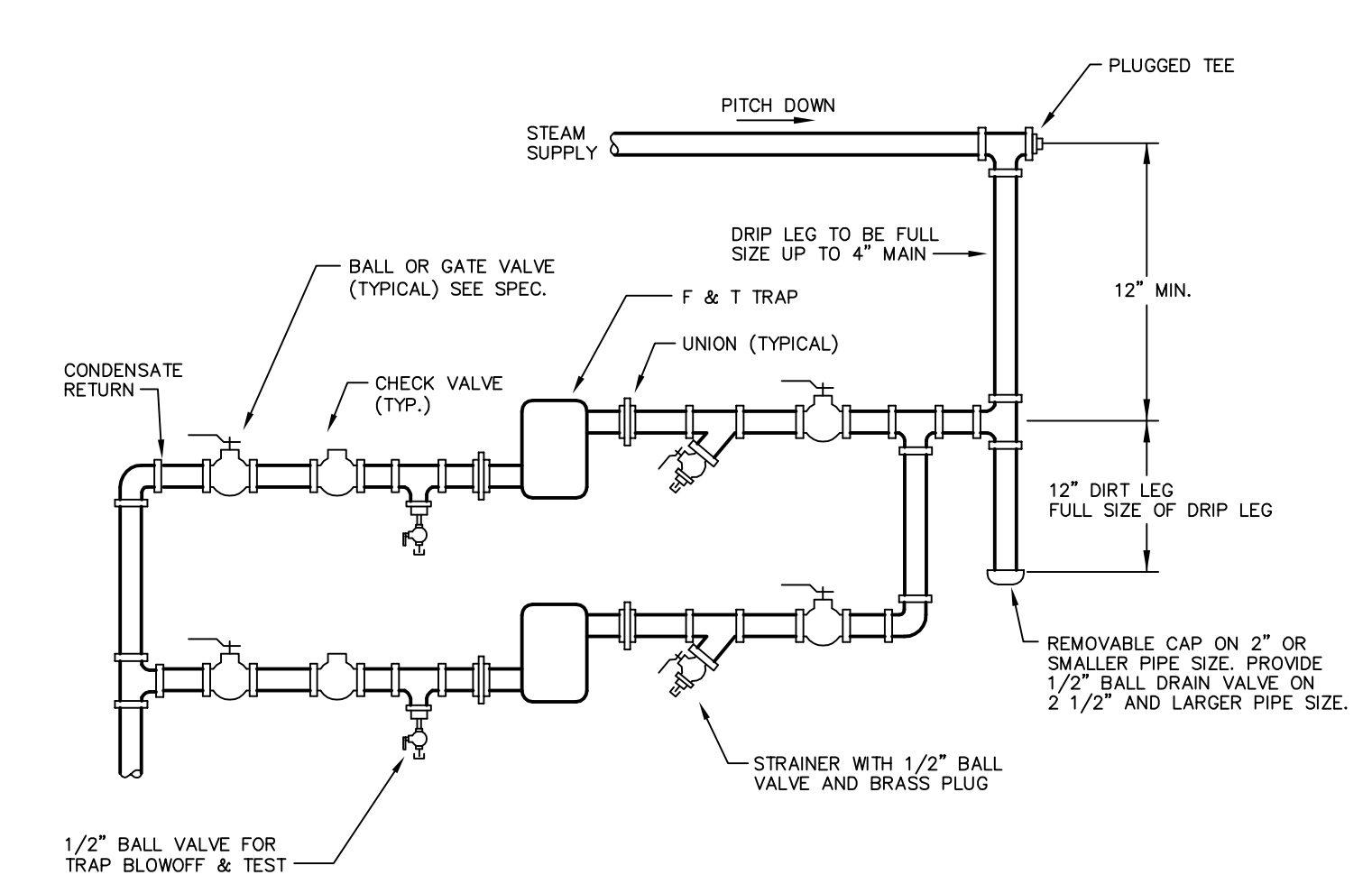
SCALE 3/4"=1'

SCALE 1/2"=1'

SCALE 1/4"=1'

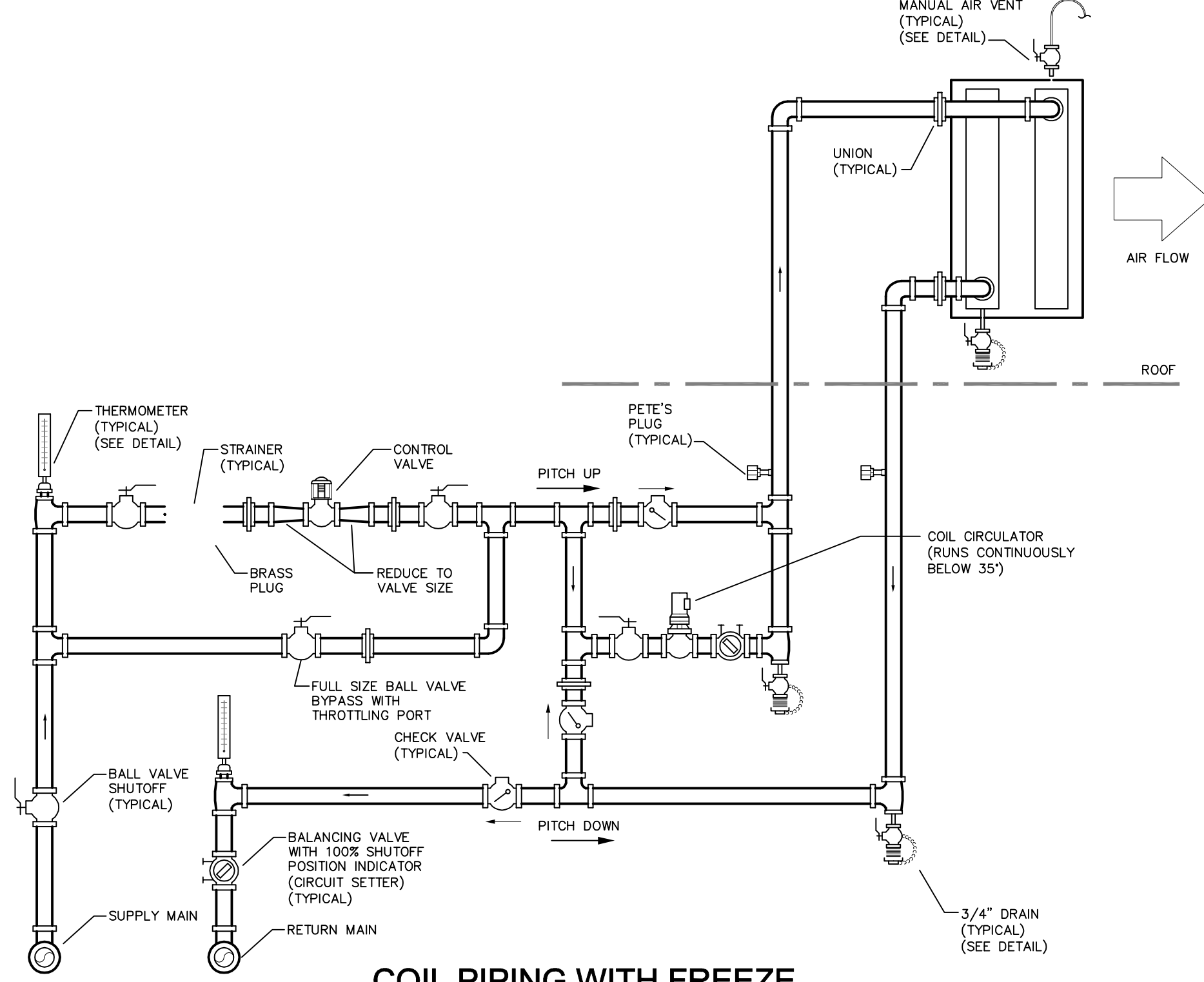
SCALE 1/8"=1'

SCALE 1/16"=1'



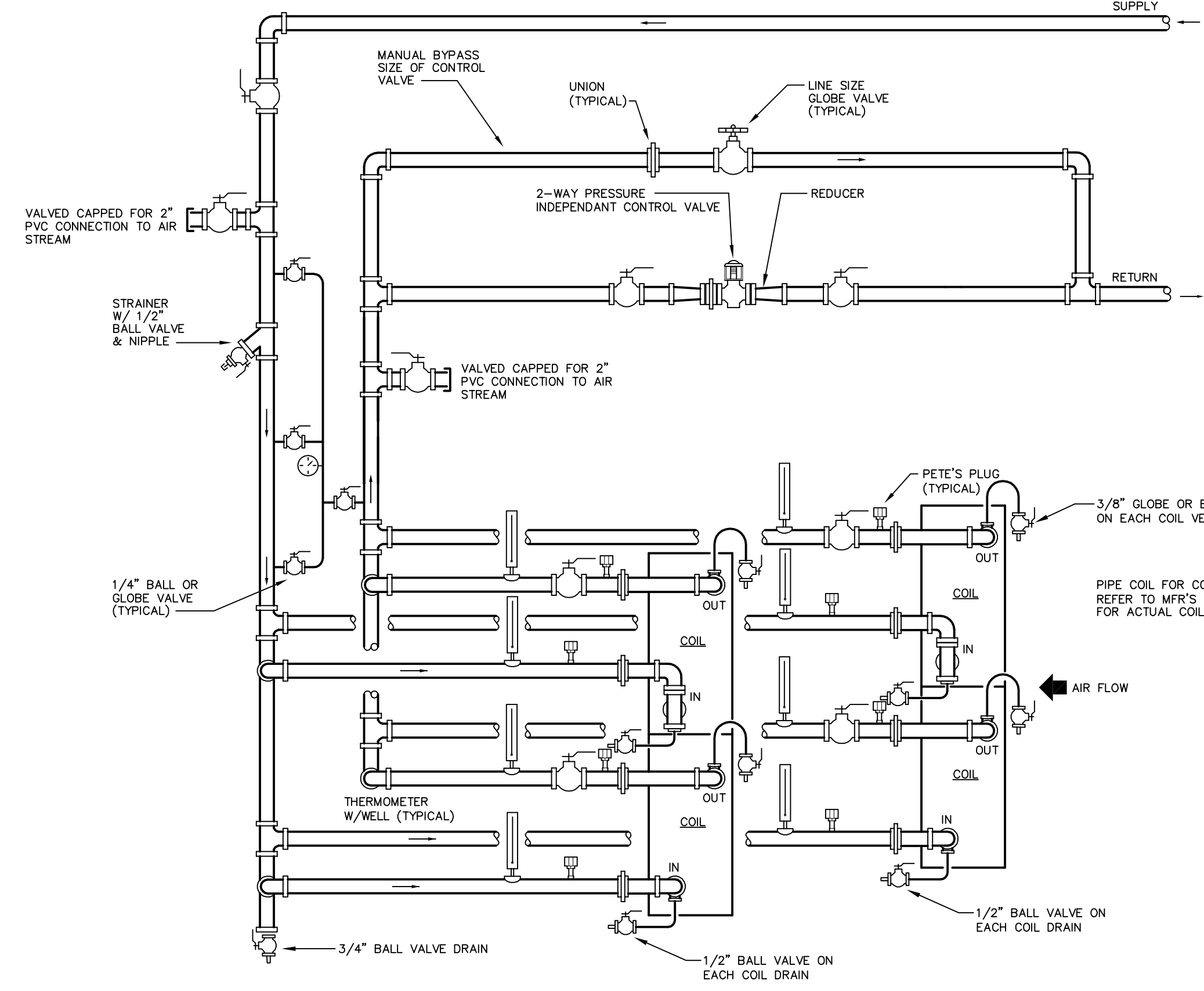
NOTE: LOW PRESSURE TRAP DISCHARGE MUST FLOW BY GRAVITY. DO NOT LIFT.

DETAIL OF LOW PRESSURE DUAL STEAM TRAP
NOT TO SCALE

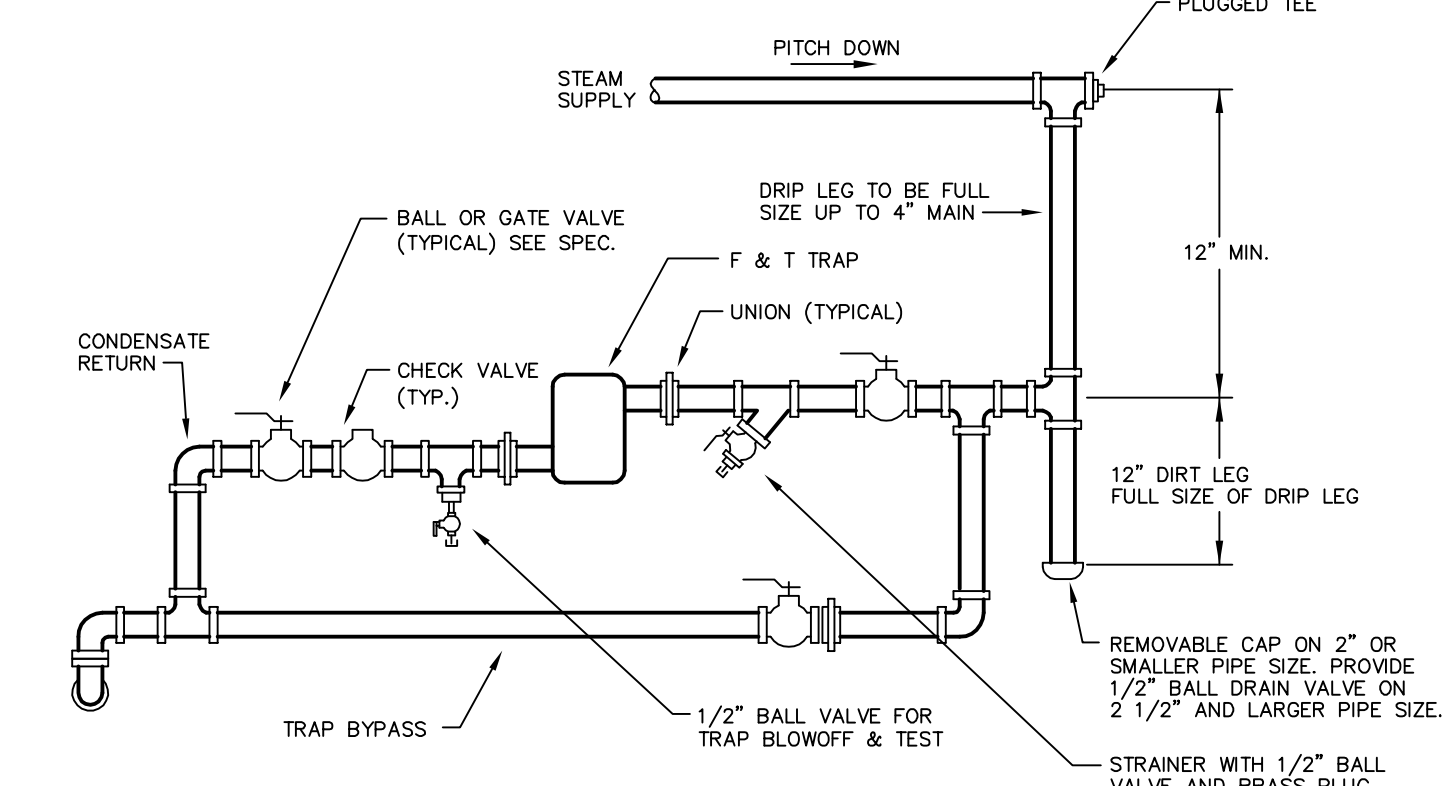


COIL PIPING WITH FREEZE PROTECTION 2-WAY VALVE FOR SYSTEMS OVER 5000 CFM
NOT TO SCALE

AHU-4 CHILLED WATER COIL PIPING DIAGRAM
NOT TO SCALE



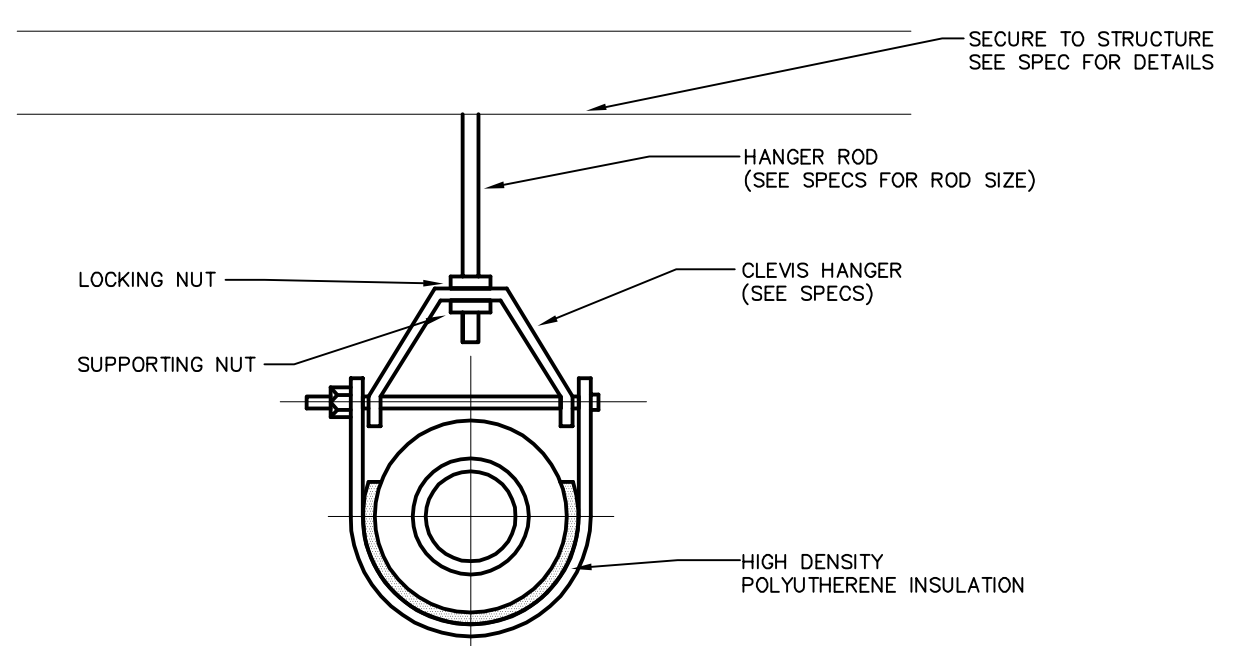
AHU-1, 2, & 3 CHILLED WATER COIL PIPING DIAGRAM
NOT TO SCALE



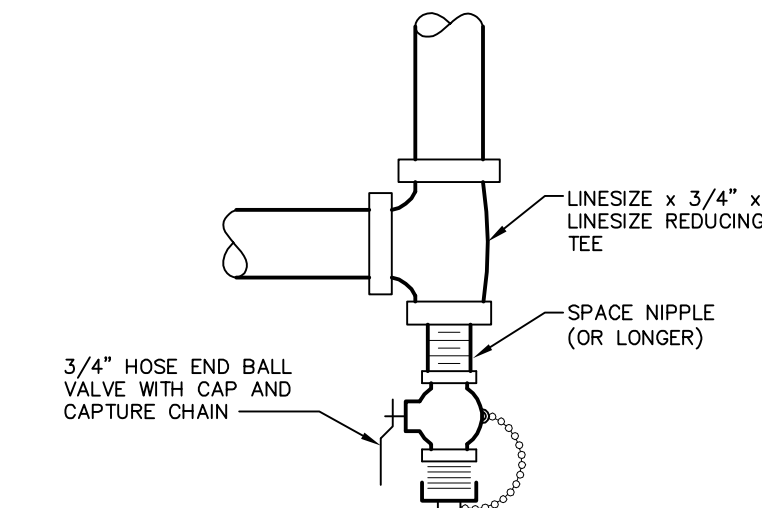
NOTE: LOW PRESSURE TRAP DISCHARGE MUST FLOW BY GRAVITY. DO NOT LIFT.

DETAIL OF LOW PRESSURE STEAM TRAP
NOT TO SCALE

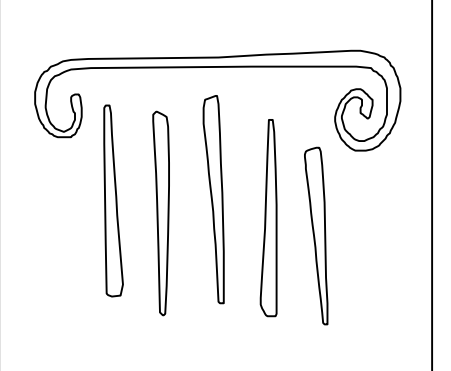
AHU-4 HOT WATER COIL PIPING DIAGRAM
NOT TO SCALE



PIPE HANGER DETAIL
NOT TO SCALE

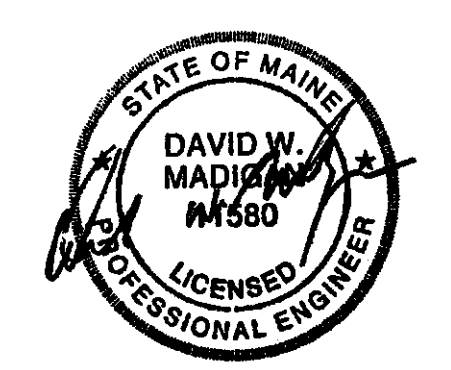


PIPING LOW POINT DRAIN DETAIL
NOT TO SCALE



PORT CITY ARCHITECTURE

65 NEWBURY STREET
PORTLAND, ME 04101
207.761.9000
fax: 207.761.2010
lita@portcityarch.com



VANZELM ENGINEERS

VANZELM HEYWOOD & SHADFORD, INC.
16 TALCOTT NOTCH FARMINGTON, CT 06032
TEL: (860) 286-3964 FAX: (860) 286-3968

PROJECT NO.: 2007120.00

BECKER
structural engineers, inc.

SYTDesign CONSULTANTS
CIVIL ENGINEERING & LANDSCAPE ARCHITECTURE



#	DATE	DESCRIPTION
		PERMIT SET
	Date Issued	01/24/08
	Project Number	06506

SHEET NAME
MECHANICAL DETAILS

Drawn By
EAC & AM
Checked By
DWM/REH

M4.3

PERMIT SET - NOT FOR CONSTRUCTION