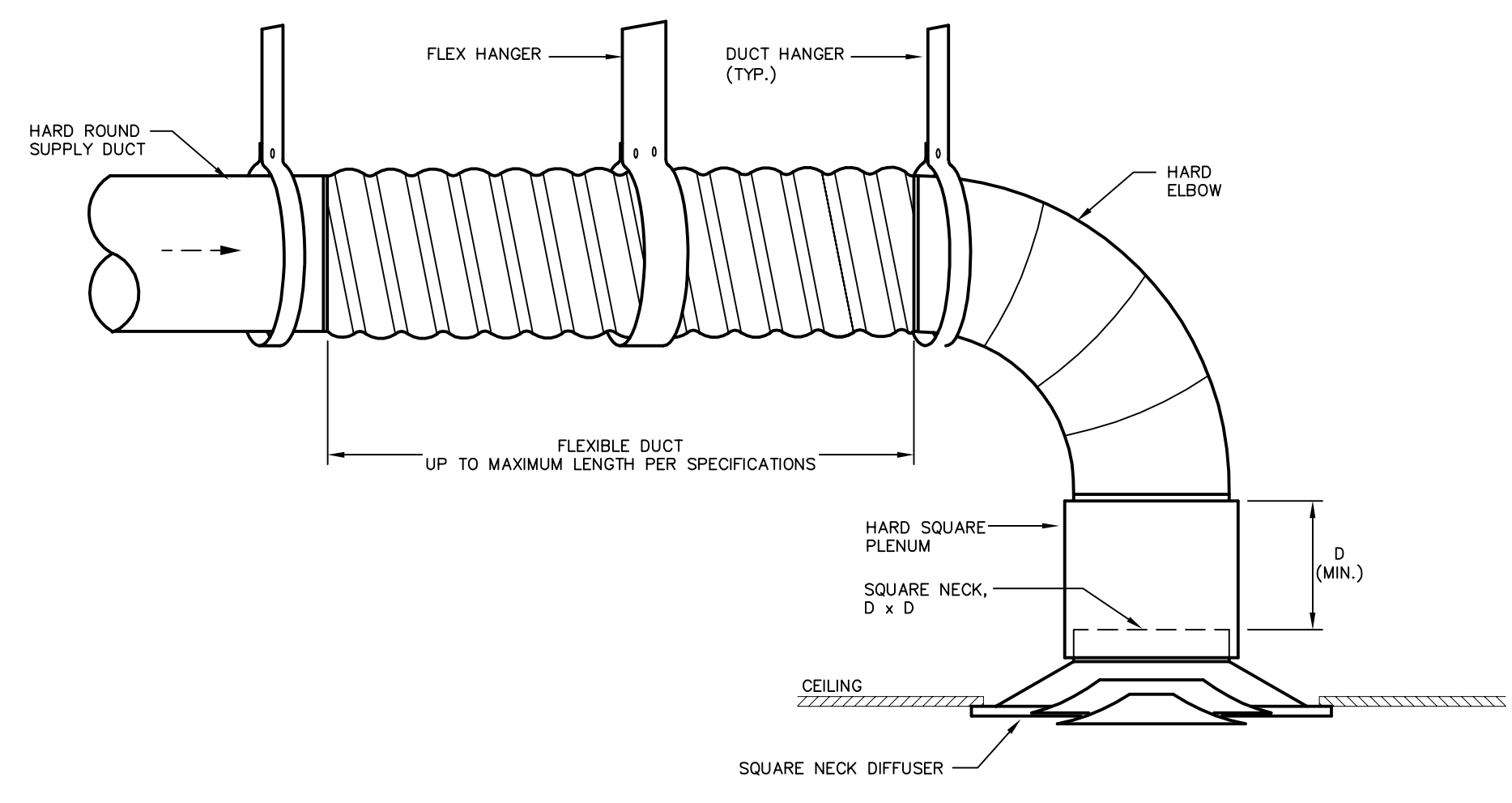
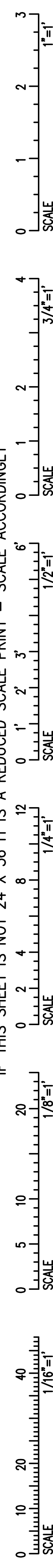
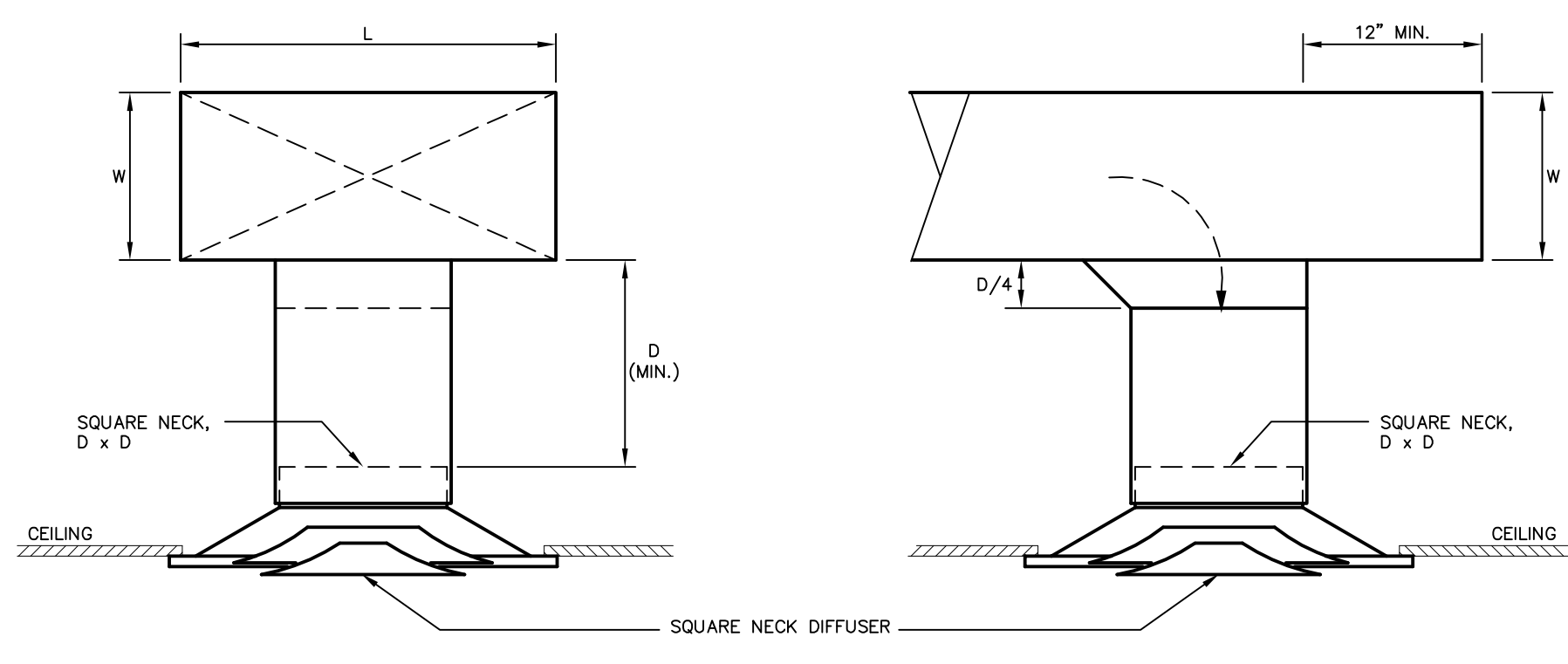


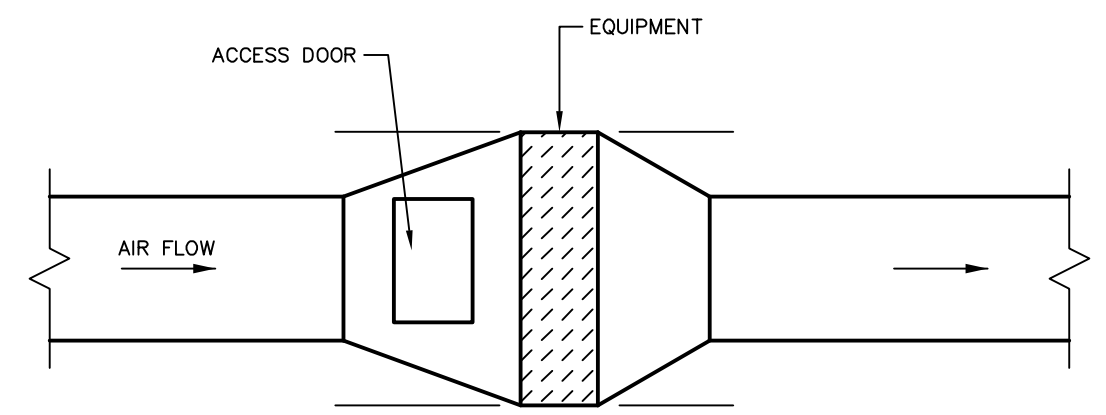
IF THIS SHEET IS NOT 24 X 36 IT IS A REDUCED SCALE PRINT - SCALE ACCORDINGLY



ROUND CONNECTION TO SQUARE NECK DIFFUSER
NOT TO SCALE

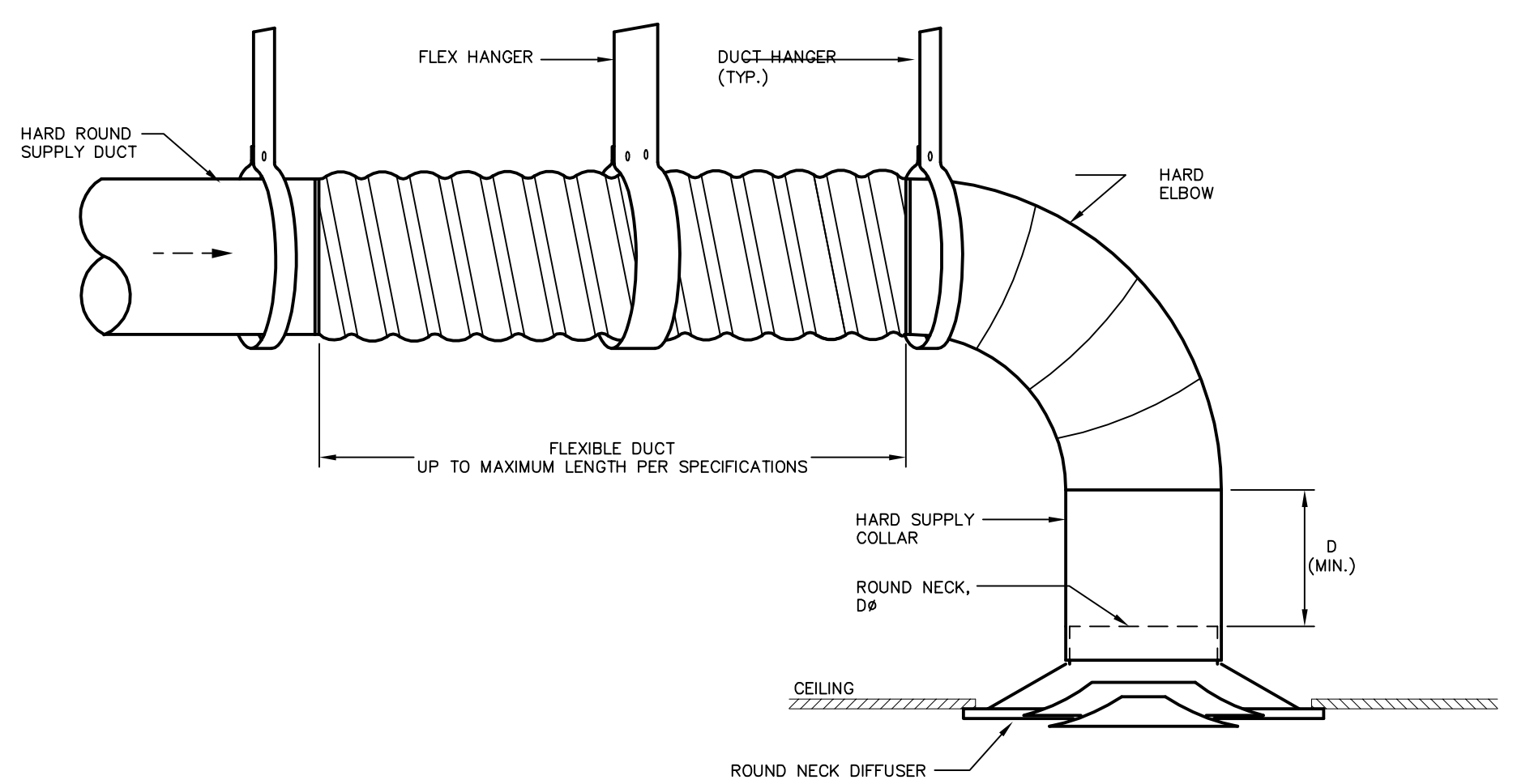


BOTTOM TAKEOFF FOR CONNECTION TO SQUARE NECK DIFFUSER
NOT TO SCALE

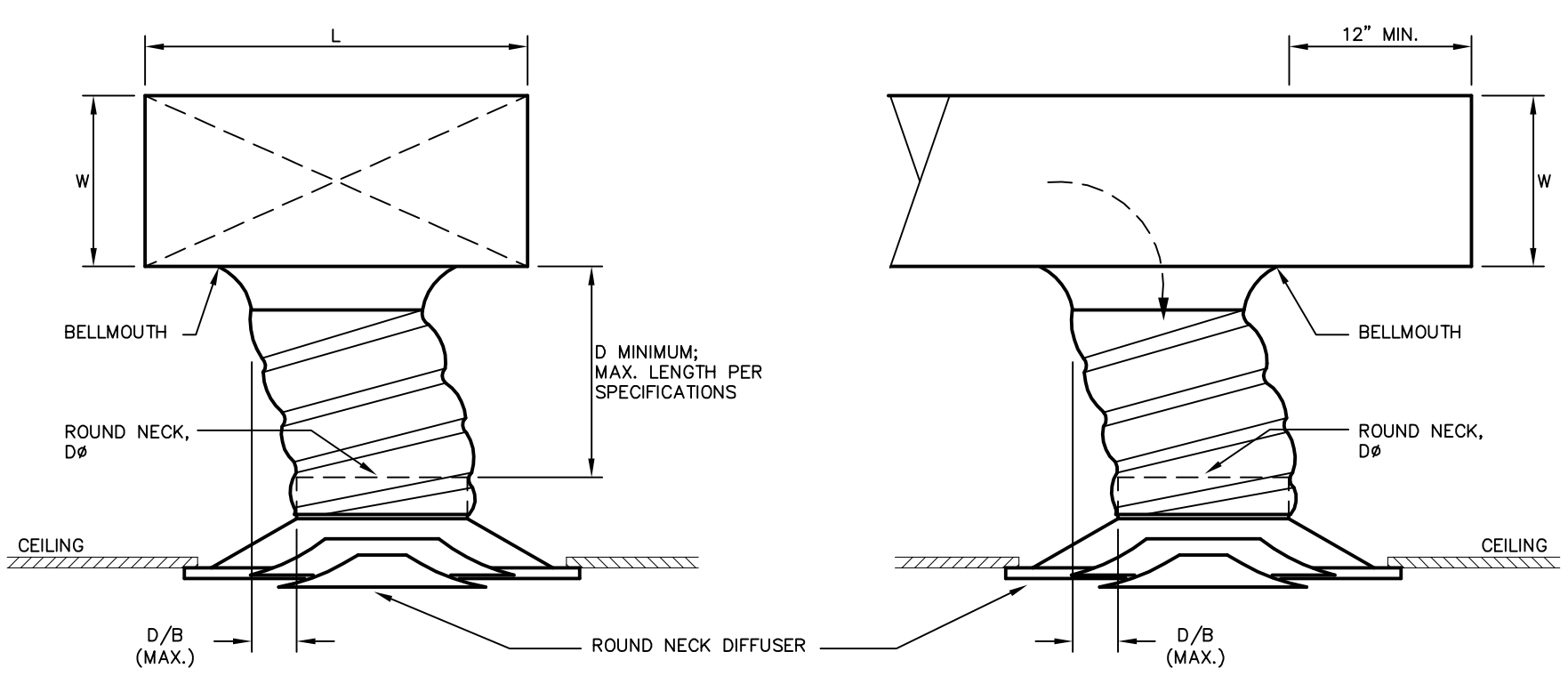


PLAN OR SIDE VIEW

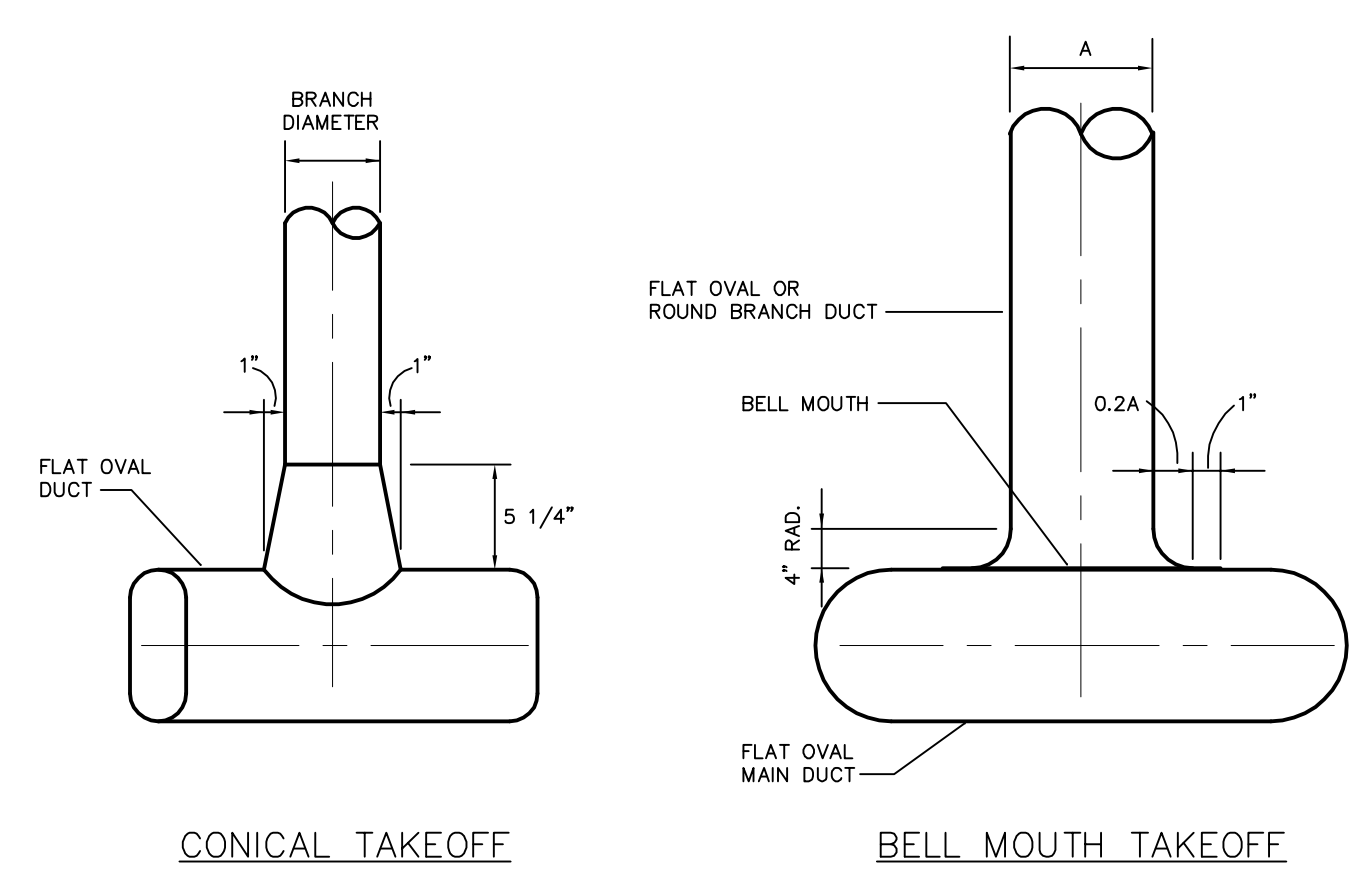
DUCT TRANSFORMATION WITH EQUIPMENT IN DUCT
NOT TO SCALE



ROUND CONNECTION TO ROUND NECK DIFFUSER
NOT TO SCALE



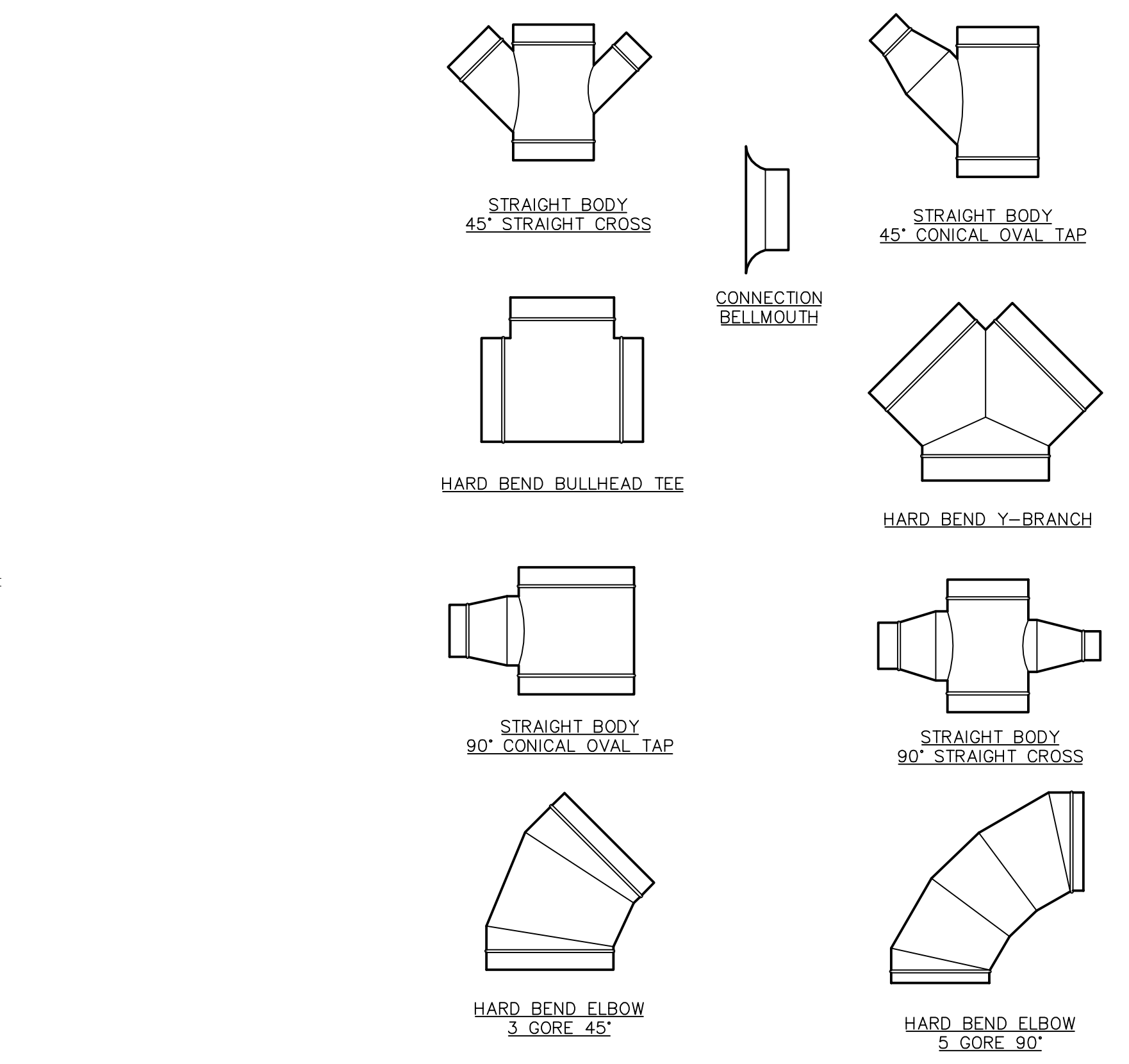
BOTTOM TAKEOFF FOR FLEX CONNECTION TO ROUND NECK DIFFUSER
NOT TO SCALE



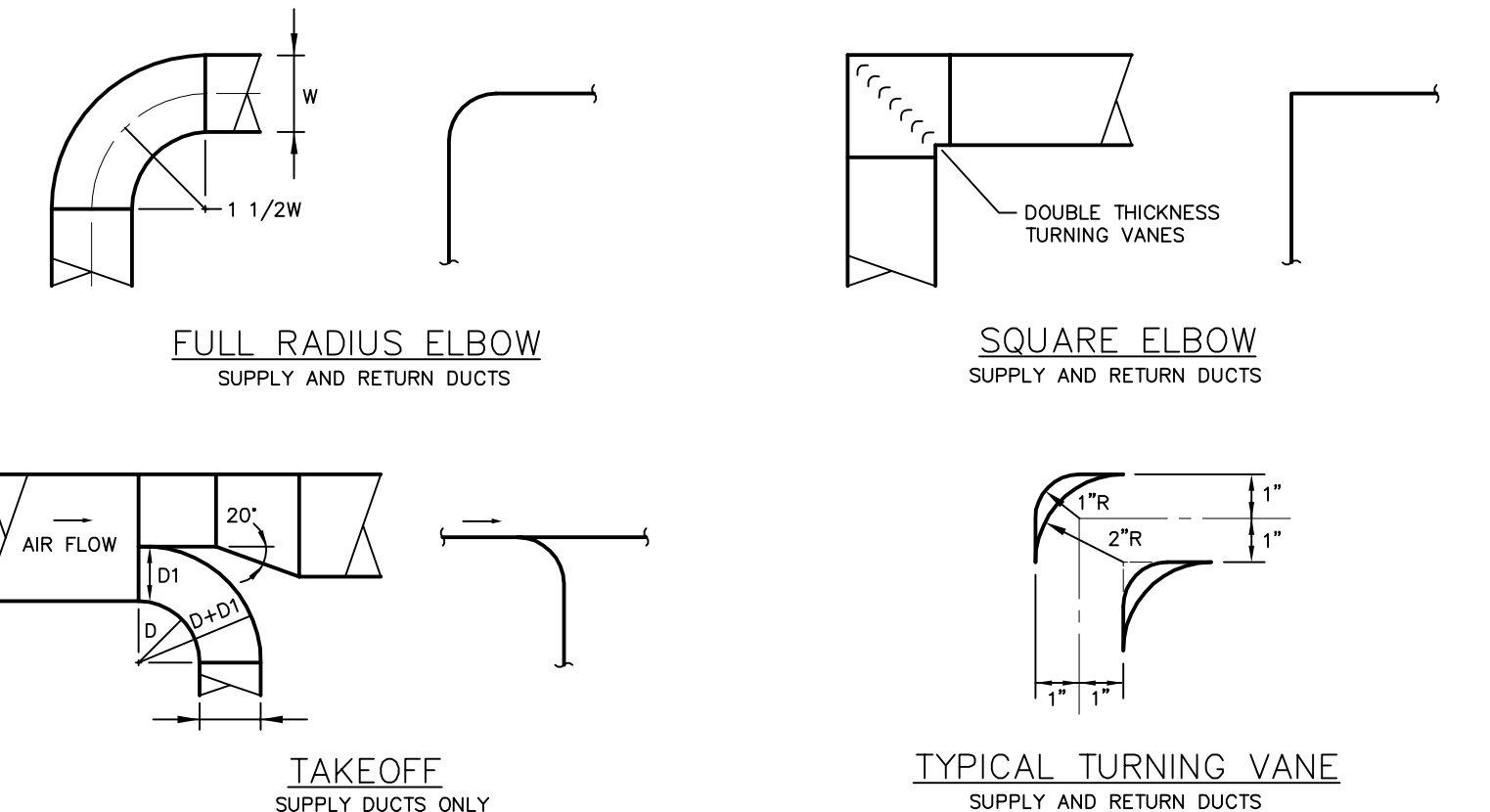
CONICAL TAKEOFF

BELL MOUTH TAKEOFF

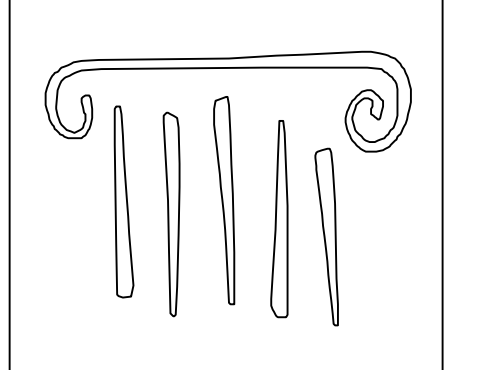
TYPICAL DUCT TAKEOFF DETAIL
NOT TO SCALE



TYPICAL OVAL DUCT DETAILS
NOT TO SCALE

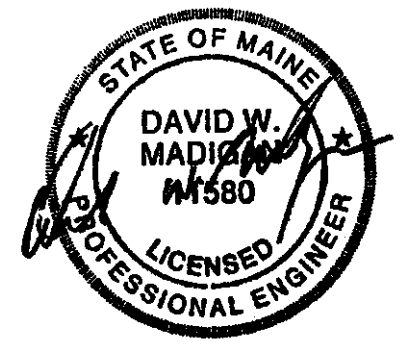


TYPICAL DUCT DETAILS WITH SINGLE LINE REPRESENTATION
NOT TO SCALE



PORT CITY ARCHITECTURE

65 NEWBURY STREET
PORTLAND, ME 04101
207.761.9000
fax: 207.761.2010
lita@portcityarch.com



VANZELM ENGINEERS

VANZELM HEYWOOD & SHADFORD, INC.
10 TALCOTT NOYSE FARMINGTON, CT 06032
TEL: (860)284-2064 FAX: (860)284-2066
PROJECT NO.: 2007120.00

BECKER
structural engineers, inc.

SYTDesign
CONSULTANTS
CIVIL ENGINEERING & LANDSCAPE ARCHITECTURE



#	DATE	DESCRIPTION
		PERMIT SET
	01/24/08	Date Issued
	06506	Project Number

SHEET NAME
MECHANICAL DETAILS

Drawn By
AMM
Checked By
DWM/FBH
M4.1

PERMIT SET - NOT FOR CONSTRUCTION