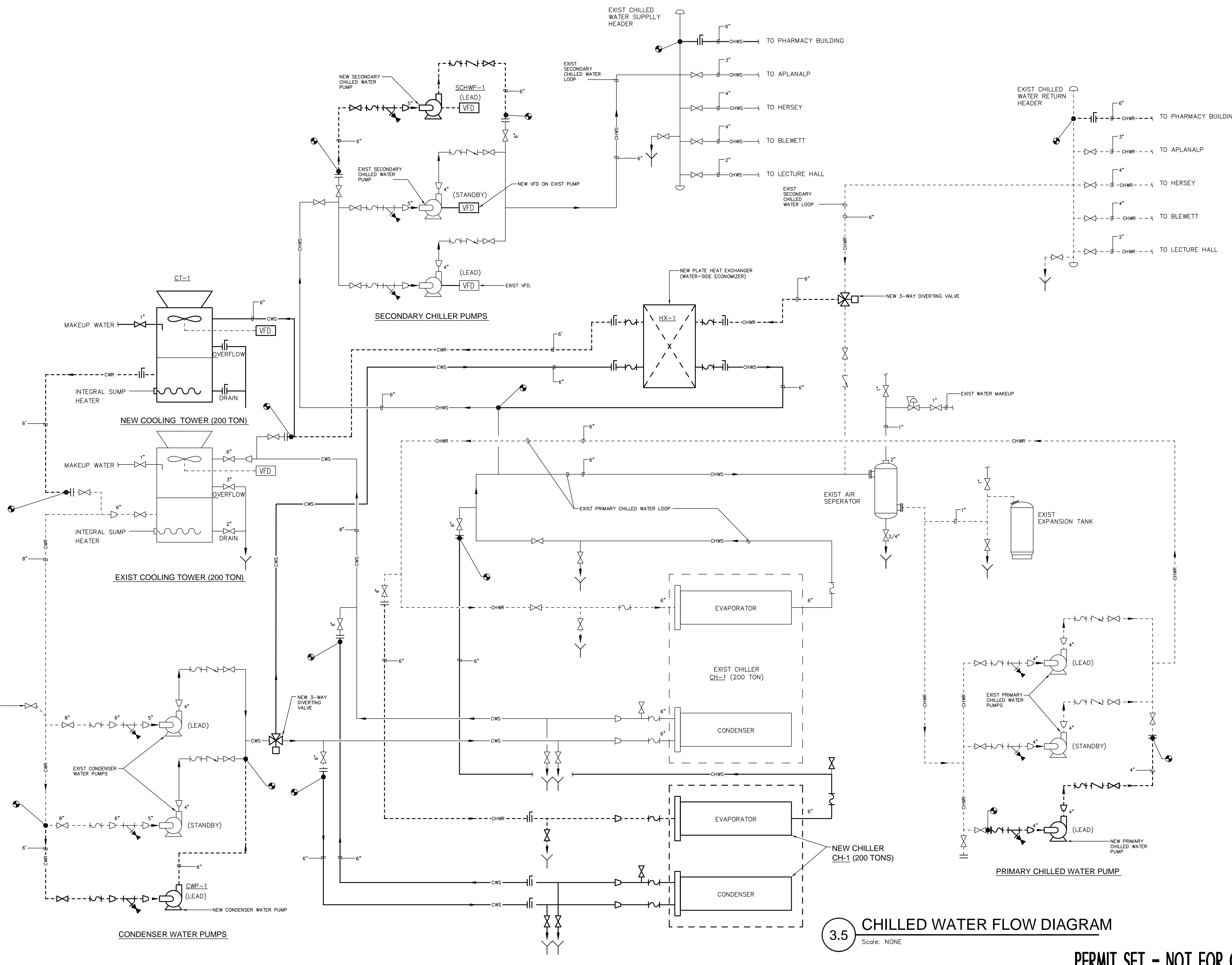
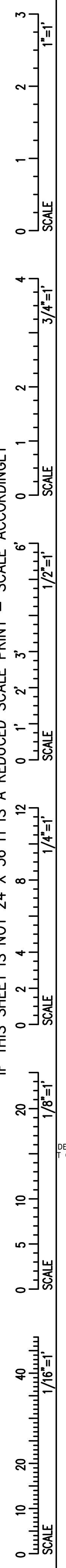
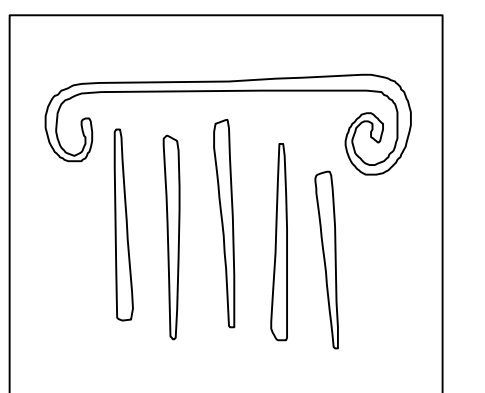


IF THIS SHEET IS NOT 24 X 36 IT IS A REDUCED SCALE PRINT - SCALE ACCORDINGLY



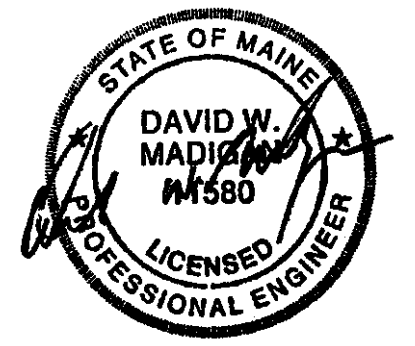
3.5 CHILLED WATER FLOW DIAGRAM
Scale: NONE

PERMIT SET - NOT FOR CONSTRUCTION



PORT CITY ARCHITECTURE

65 NEWBURY STREET
PORTLAND, ME 04101
207.761.9000
fax: 207.761.2010
lita@portcityarch.com



VANZELM ENGINEERS

VANZELM HEYWOOD & SHADFORD, INC.
10 TALCOTT NOYSE FARMINGTON, CT 06032
TEL: (860)284-2004 FAX: (860)284-2006
PROJECT NO.: 2007120.00

BECKER structural engineers, inc.

SYTDesign CONSULTANTS
CIVIL ENGINEERING & LANDSCAPE ARCHITECTURE



#	DATE	DESCRIPTION
		PERMIT SET
	01/24/08	Date Issued
	06506	Project Number

SHEET NAME
MECHANICAL CHILLER PLANT FLOW DIAGRAM

Drawn By
AMM

Checked By
DWM/FBH

M3.5