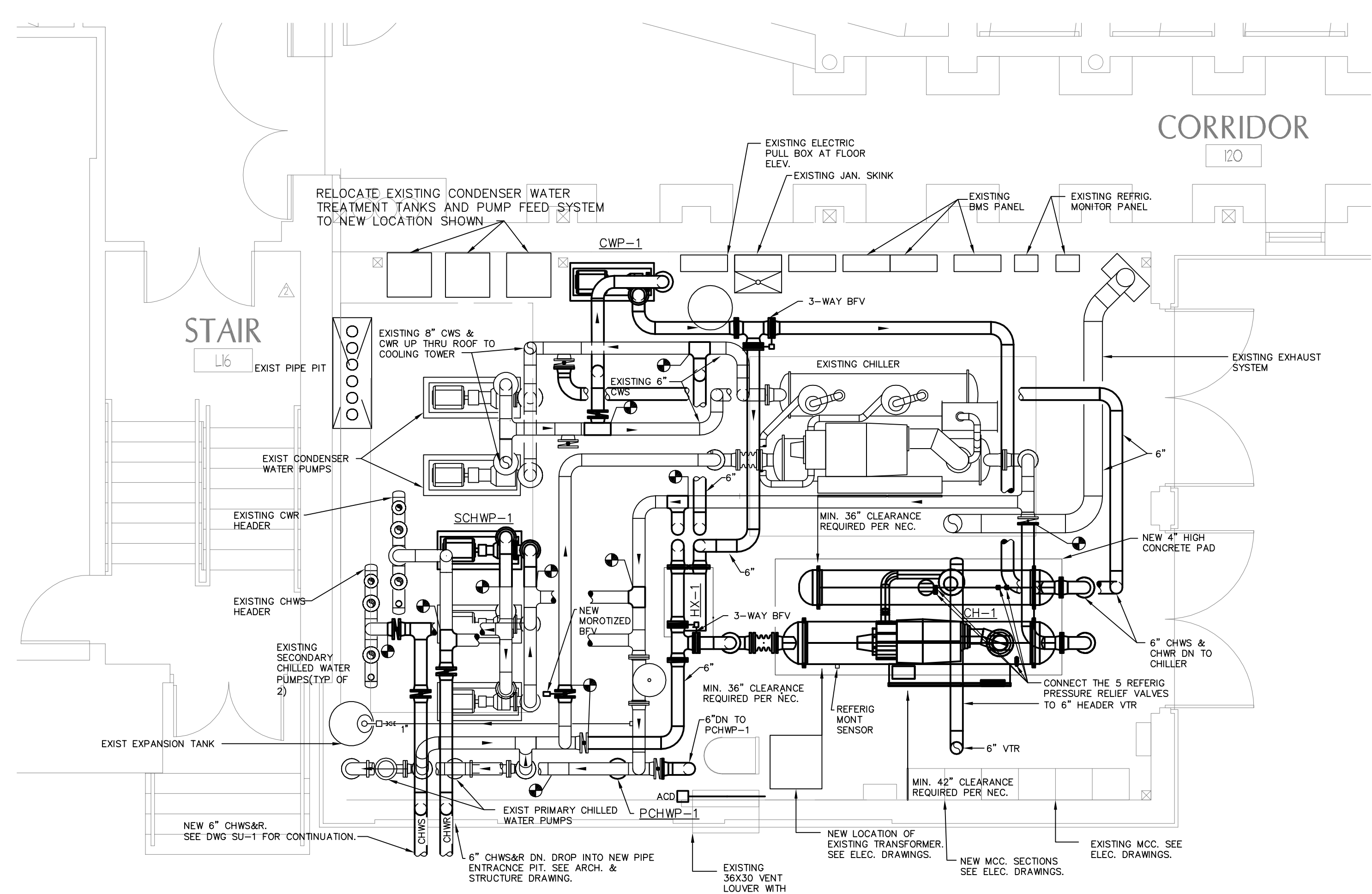
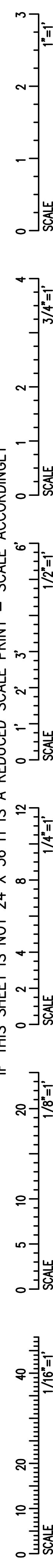
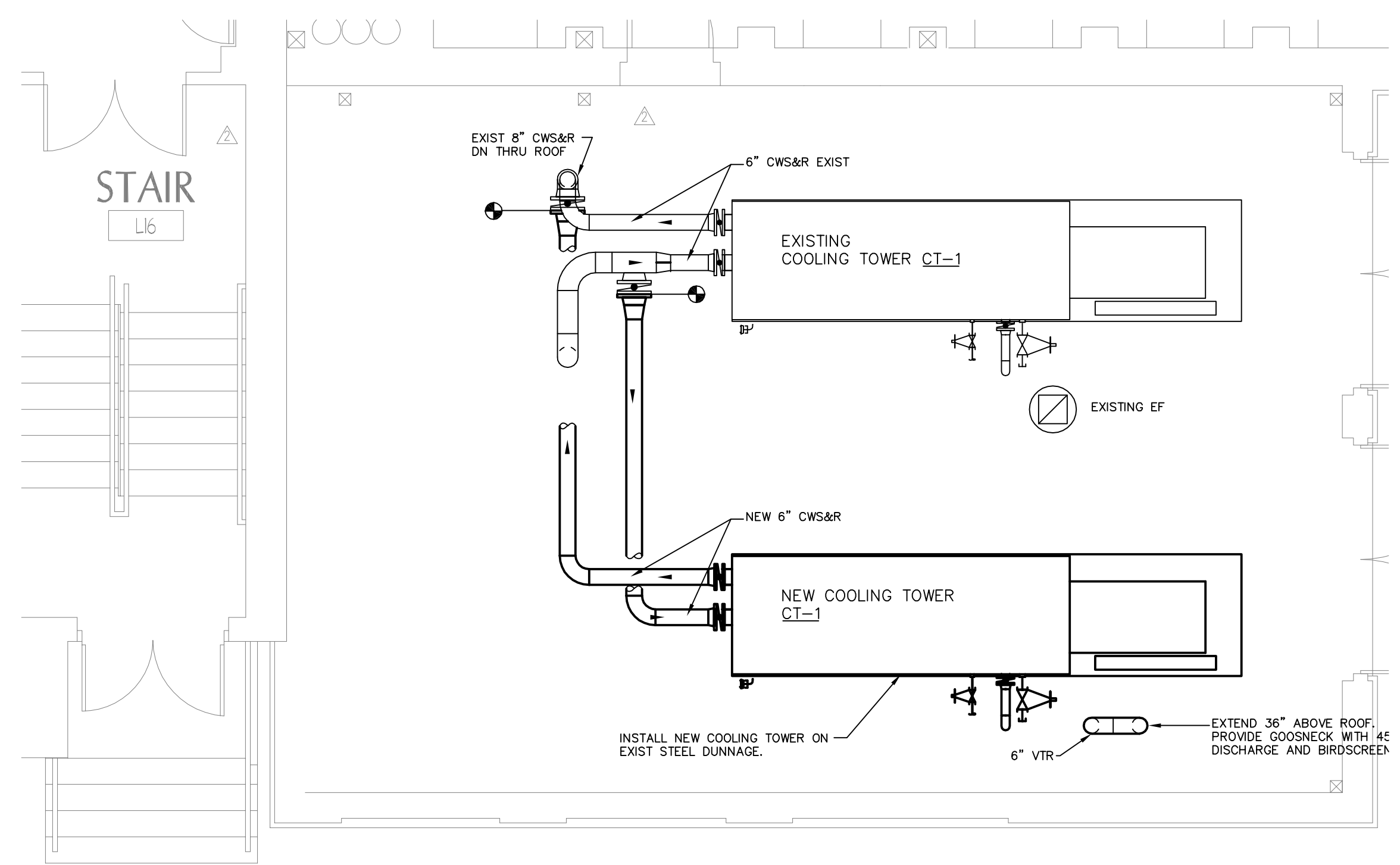


IF THIS SHEET IS NOT 24 X 36 IT IS A REDUCED SCALE PRINT - SCALE ACCORDINGLY

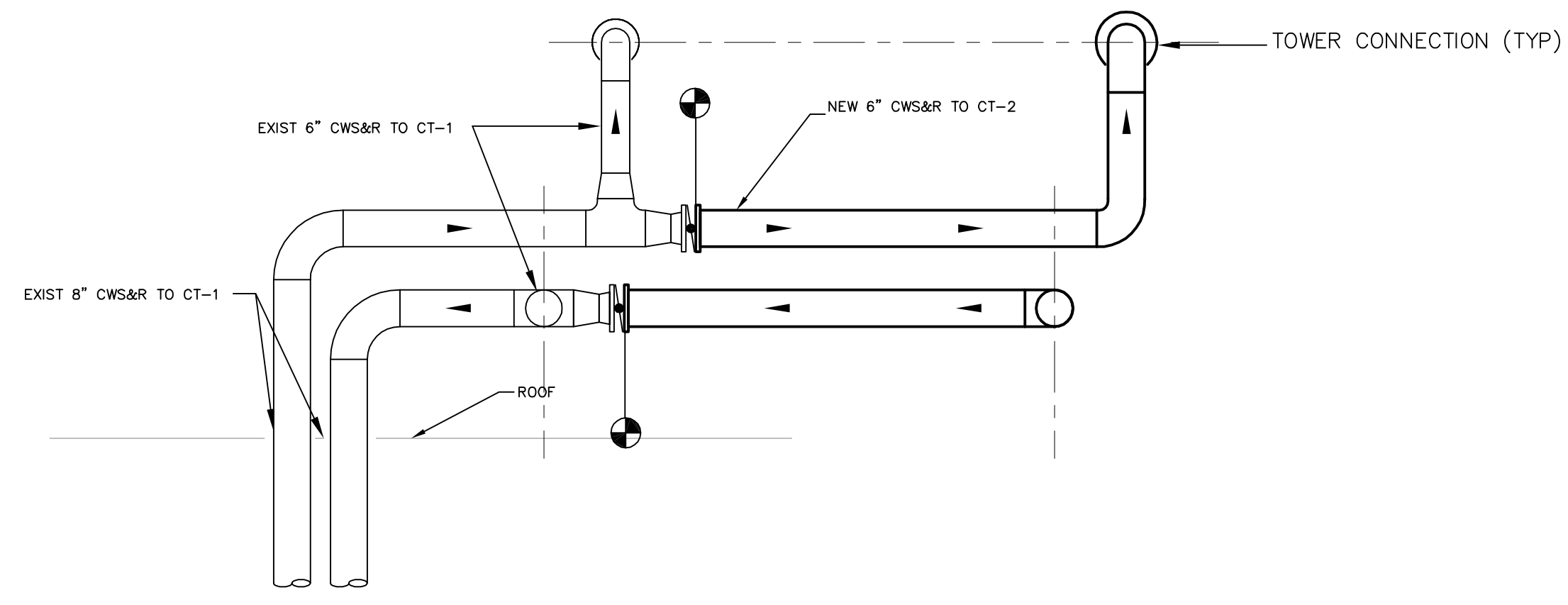


2.1 CHILLER PLANT FLOOR PLAN
Scale: 1/4"=1'-0"

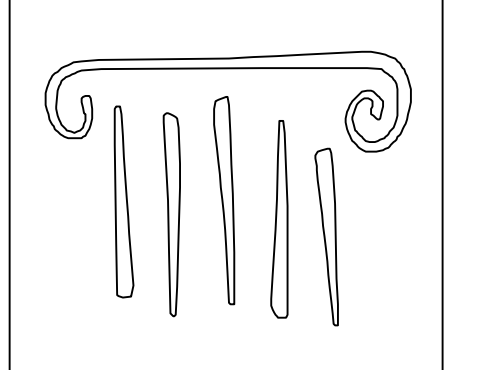
NOTE: VFD'S FOR NEW COOLING TOWER, NEW SECONDARY CHILLED WATER PUMP AND EXISTING SECONDARY CHILLED WATER PUMP SHALL BE LOCATED IN MCC. VFD'S PROVIDED UNER DIV. 26.



2.2 CHILLED PLANT ROOF PLAN
Scale: 1/4"=1'-0"

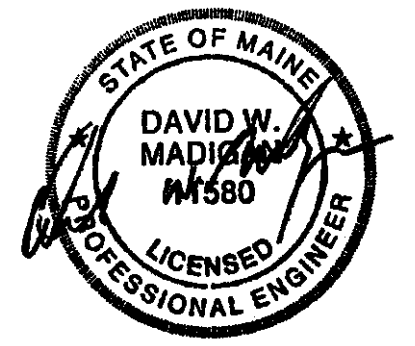


A SECTION "A" PIPING DETAIL
Scale: 3/8"=1'-0"



PORT CITY ARCHITECTURE

65 NEWBURY STREET
PORTLAND, ME 04101
207.761.9000
fax: 207.761.2010
lita@portcityarch.com



VANZELM ENGINEERS

VANZELM HEYWOOD & SHADFORD, INC.
10 TALCOTT NOTCH FARMINGTON, CT 06032
TEL: (860)284-5064 FAX: (860)284-5068
PROJECT NO.: 2007120.00

BECKER
structural engineers, inc.

SYTDesign
CONSULTANTS
CIVIL ENGINEERING & LANDSCAPE ARCHITECTURE



#	DATE	DESCRIPTION

PERMIT SET
Date Issued: 01/24/08
Project Number: 06506

SHEET NAME
MECHANICAL CHILLER PLANT PART PLANS

Drawn By: WGS
Checked By: DW/MFBH
M2.5

PERMIT SET - NOT FOR CONSTRUCTION