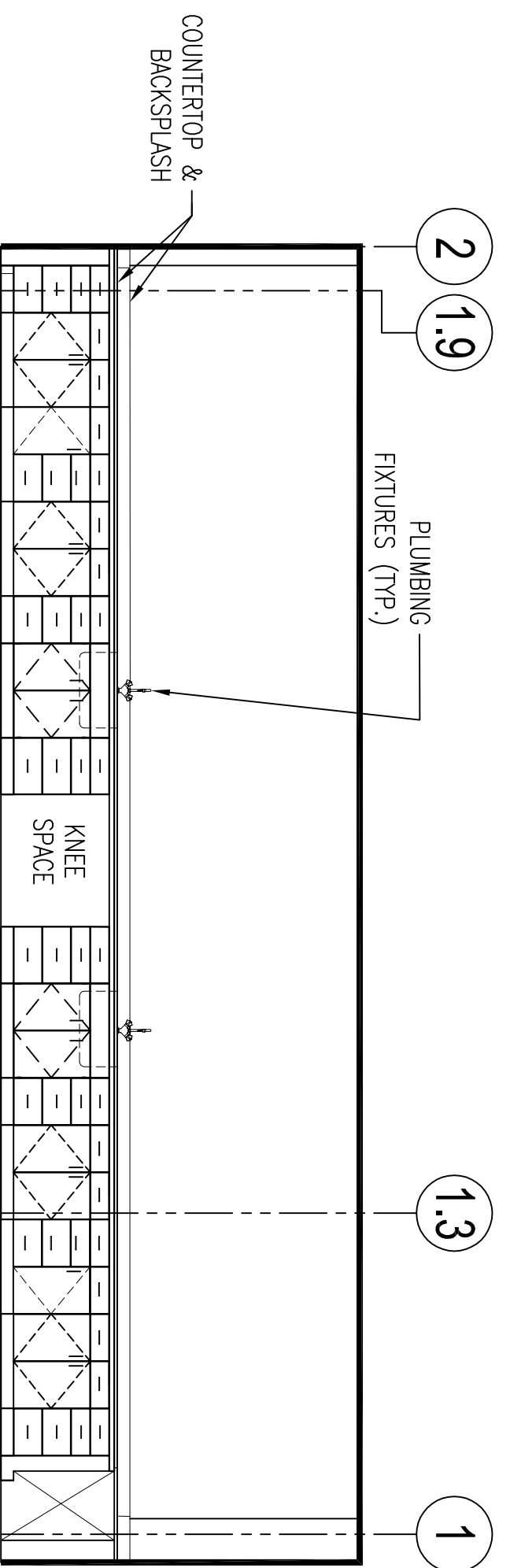


10 NOT IN USE  
SCALE: 1/4" = 1'-0"

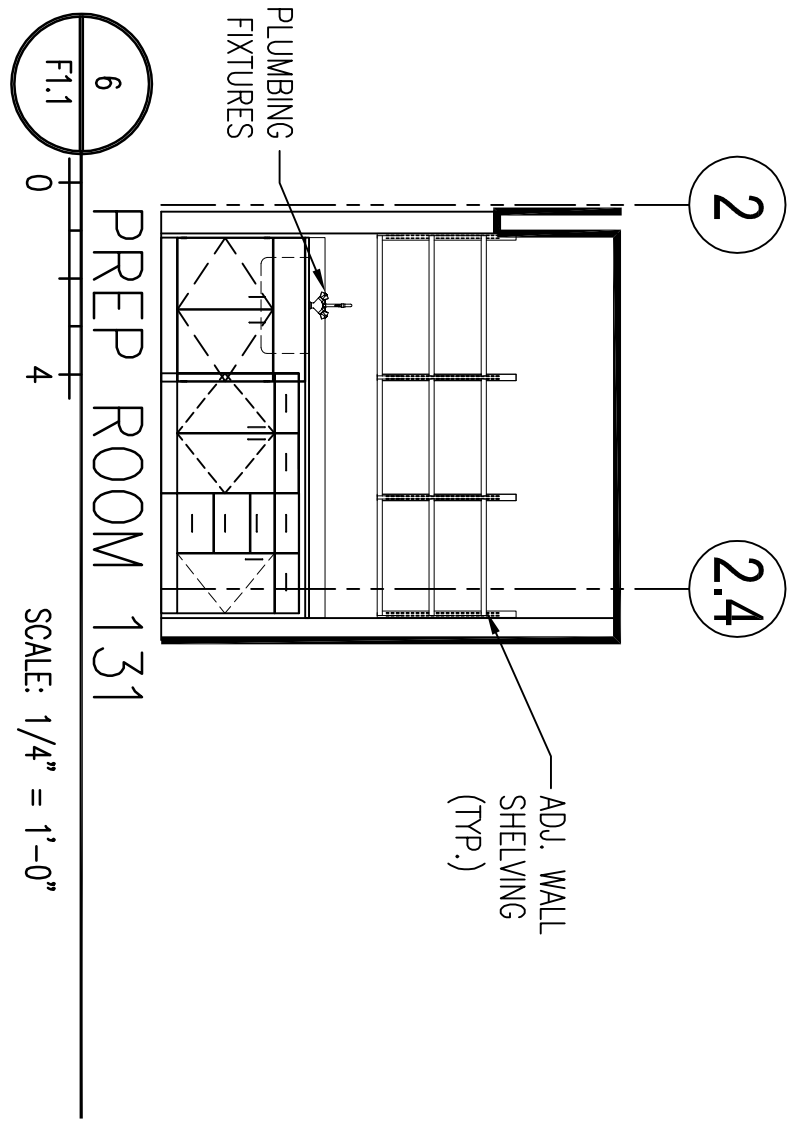
9 STER ROOM 112  
SCALE: 1/4" = 1'-0"

5 NOT IN USE  
SCALE: 1/4" = 1'-0"

1 NOT IN USE  
SCALE: 1/4" = 1'-0"

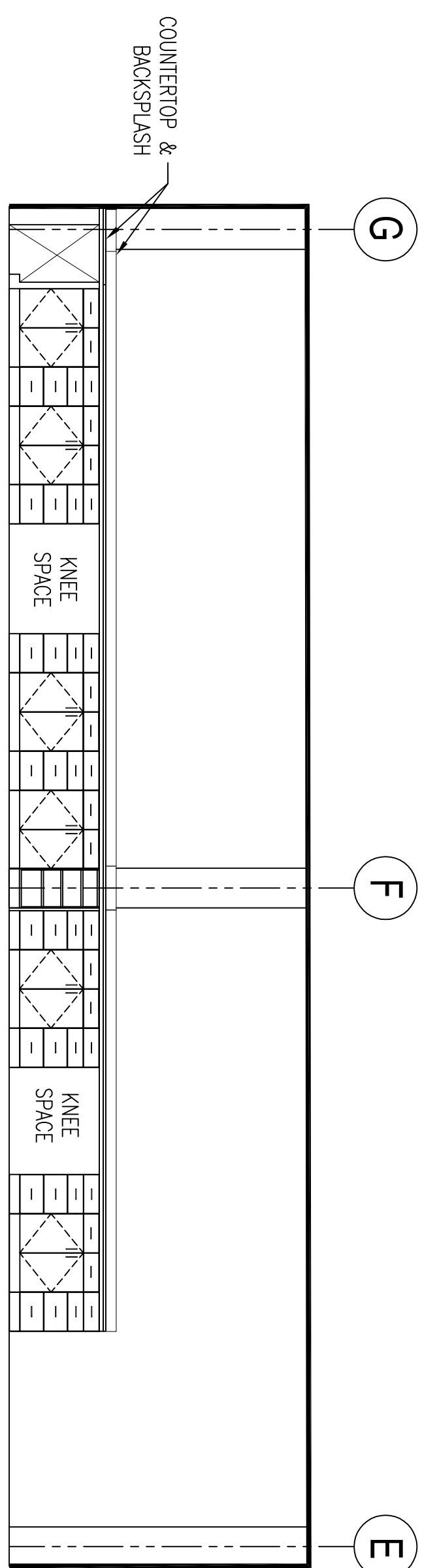


11 PHARM PRACTICE 110  
SCALE: 1/4" = 1'-0"

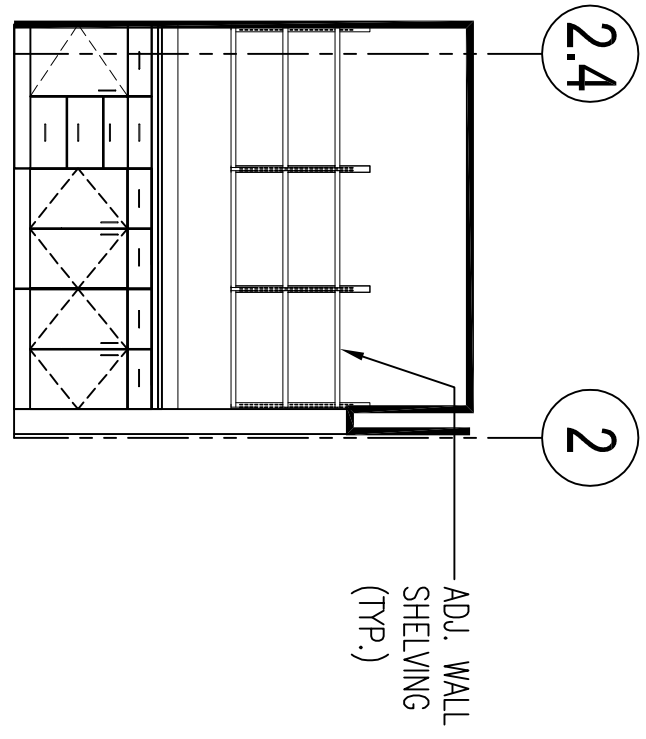


6 PREP ROOM 131  
SCALE: 1/4" = 1'-0"

2 NOT IN USE  
SCALE: 1/4" = 1'-0"

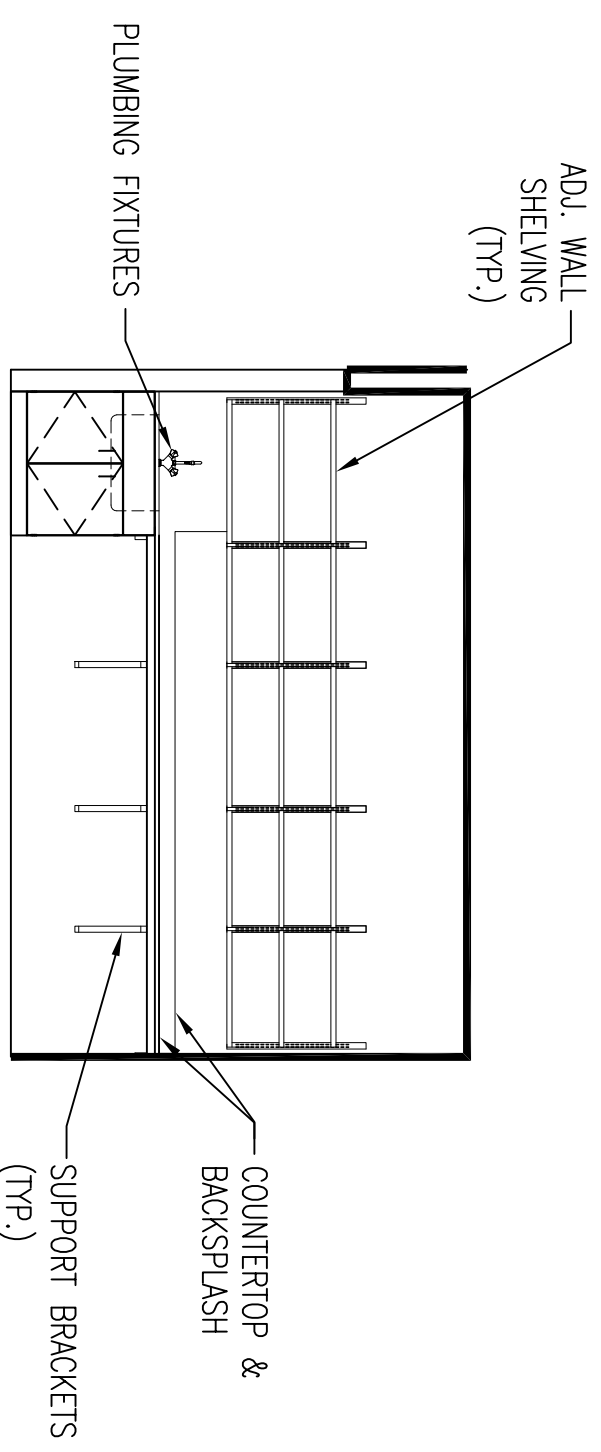


12 PHARM PRACTICE 110  
SCALE: 1/4" = 1'-0"



7 PREP ROOM 131  
SCALE: 1/4" = 1'-0"

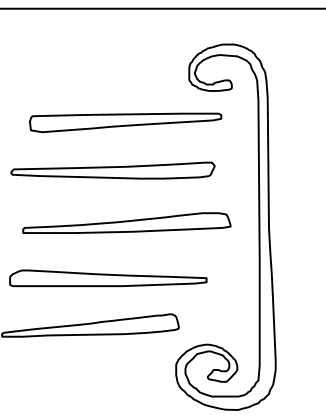
3 NOT IN USE  
SCALE: 1/4" = 1'-0"



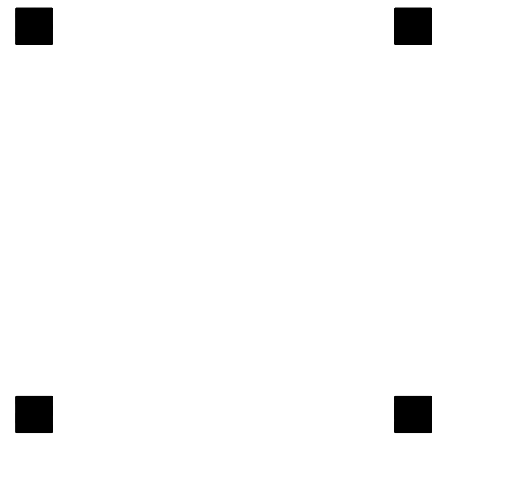
8 STER ROOM 112  
SCALE: 1/4" = 1'-0"

4 NOT IN USE  
SCALE: 1/4" = 1'-0"

NOT USED  
SCALE: 1/4" = 1'-0"



**PORT & GUTY**  
ARCHITECTURE  
65 NEWBURY STREET  
PORTLAND, ME 04101  
207.761.9000  
fax: 207.761.2010  
lit@portcityarch.com



**JACOBS**  
CONSULTANCY  
OUR LABORATORY PRECISION  
FOR EXCELLENCE  
**VANZBELM**  
VANZBELM BROTHERS & SONS, INC.  
1100 11th Street  
**BECKER**  
ENGINEERS, INC.  
1000 Commercial Street  
**SYTDesign**  
CONSULTANTS  
Civil, Structural & Landscape Architecture

UNIVERSITY OF NEW ENGLAND

COLLEGE OF PHARMACY

716 STEVENS AVENUE, PORTLAND, ME

#	DATE	DESCRIPTION
A	12/07/07	ISSUED FOR 100% DD SET
DESIGN DOCUMENT SET		
Date issued 11/21/07		
Project Number 06506		

SHEET NAME  
**1st FLOOR ELEVATIONS**

Drawn By  
Checked By  
**F2.1**