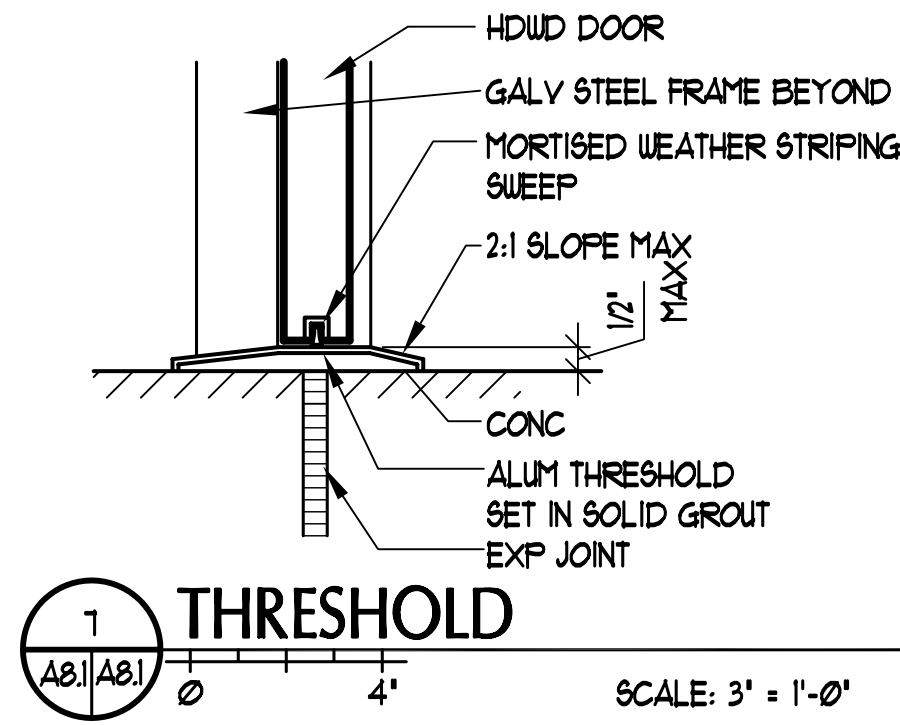
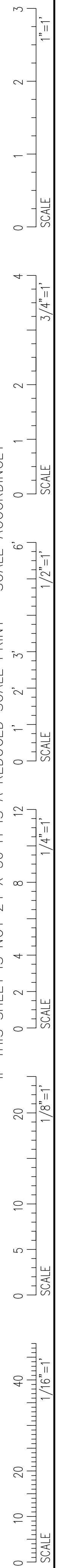
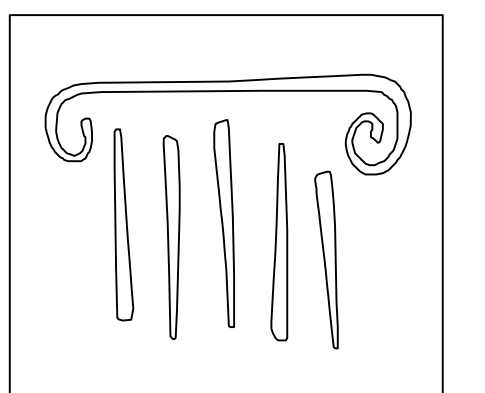
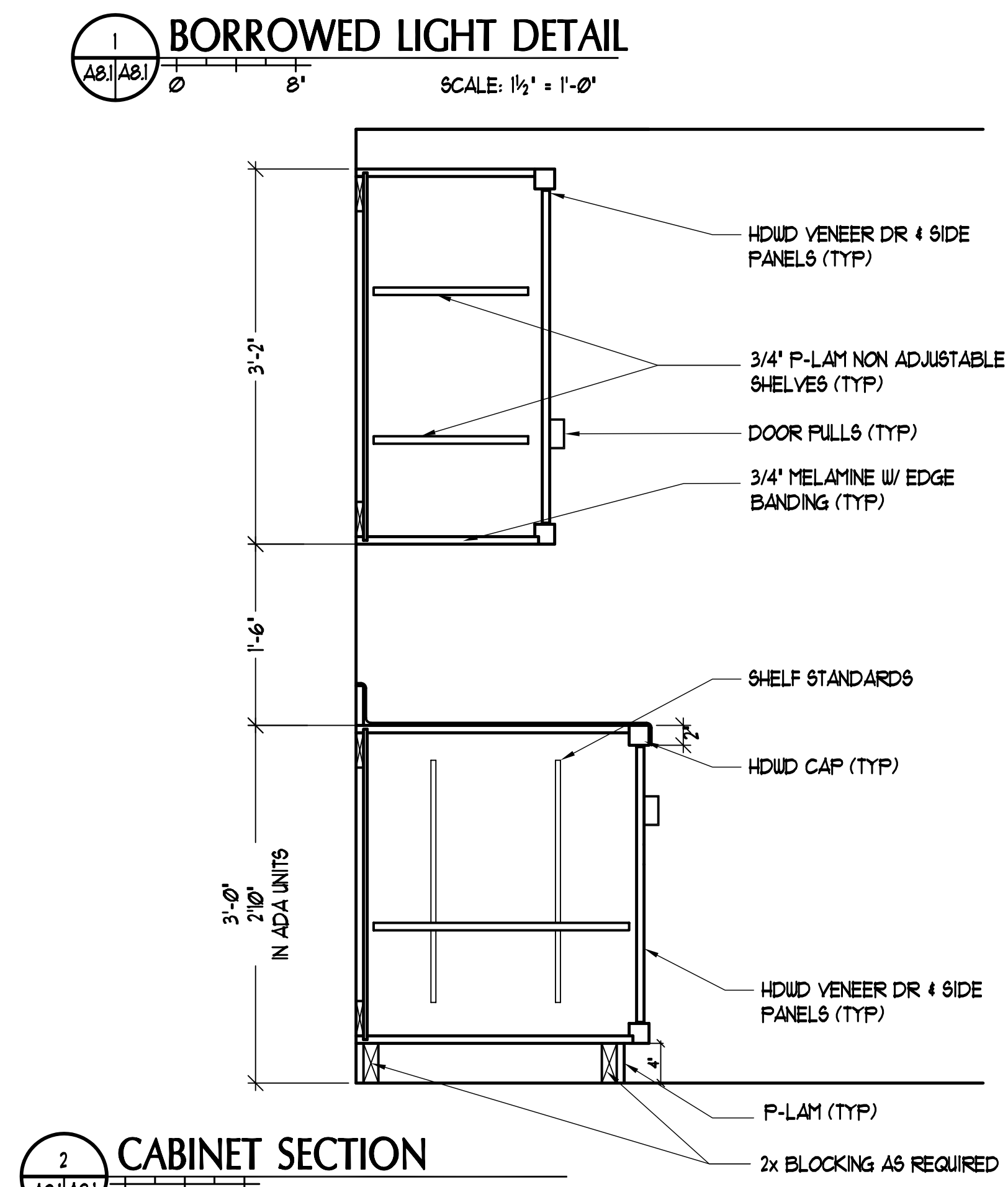
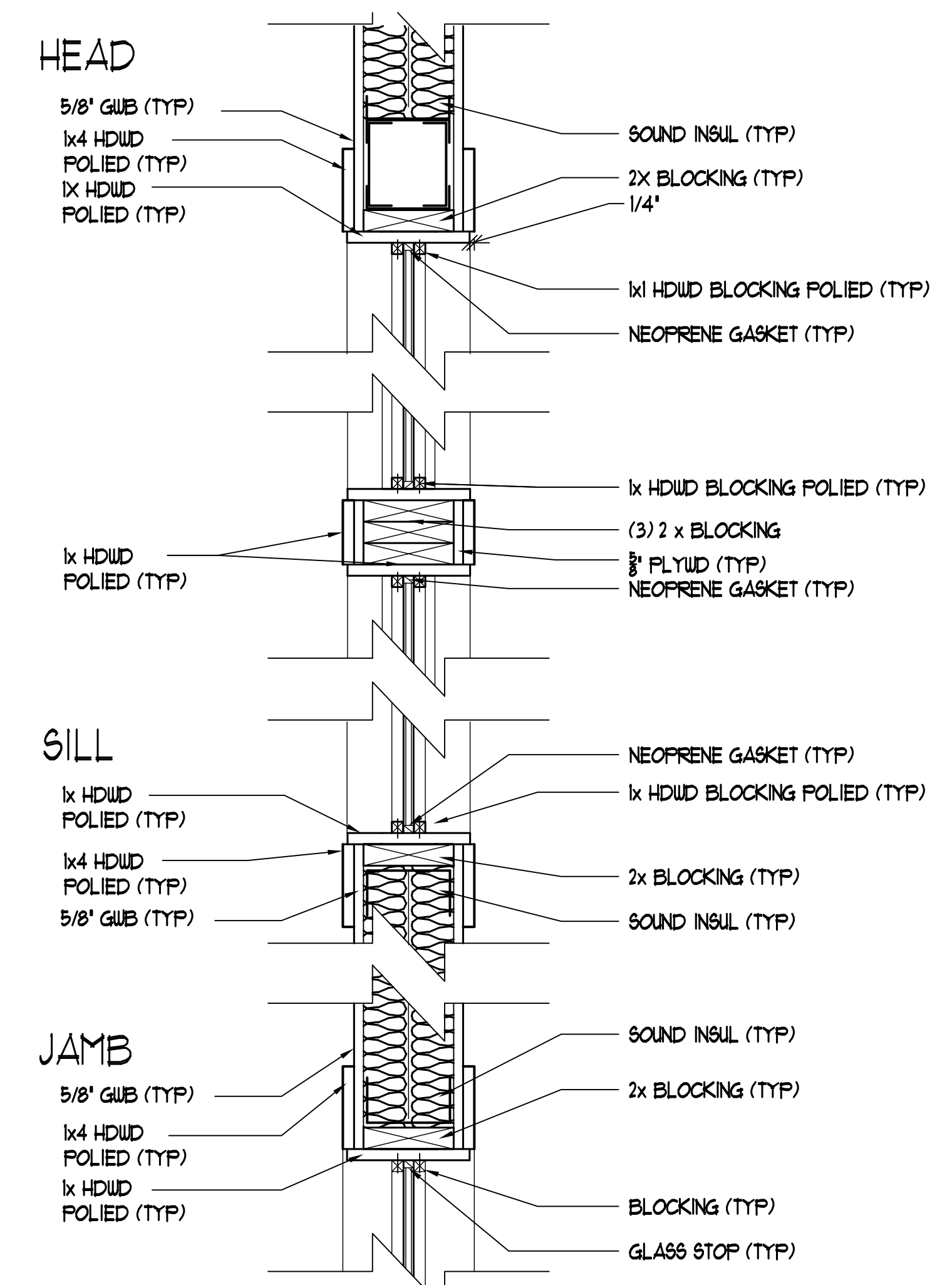
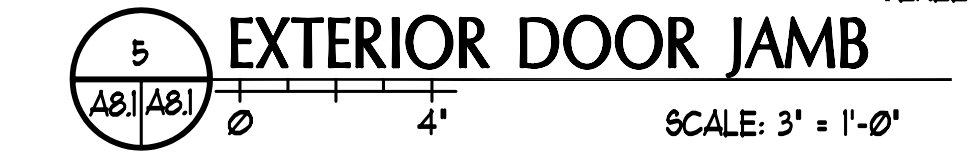
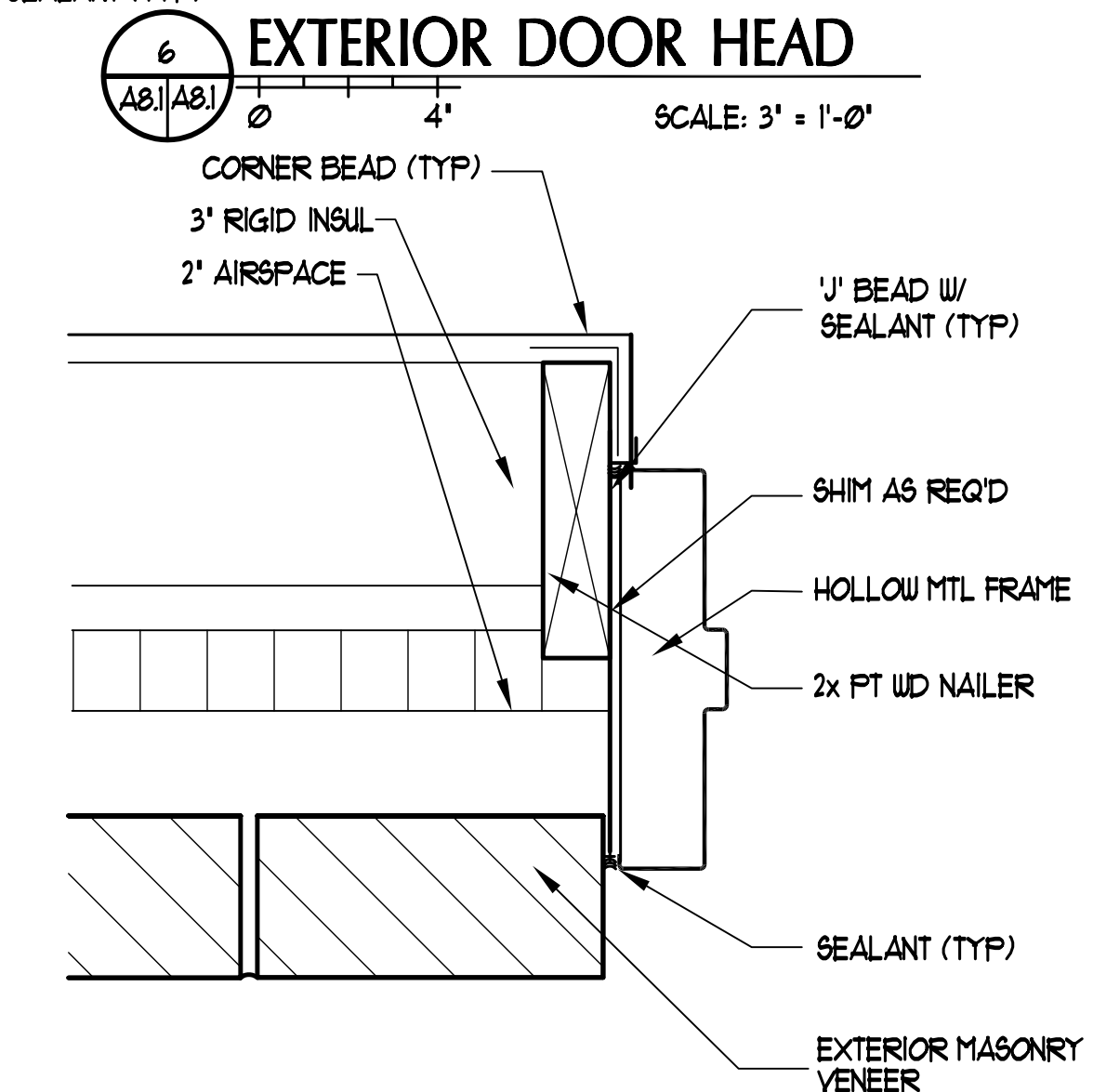
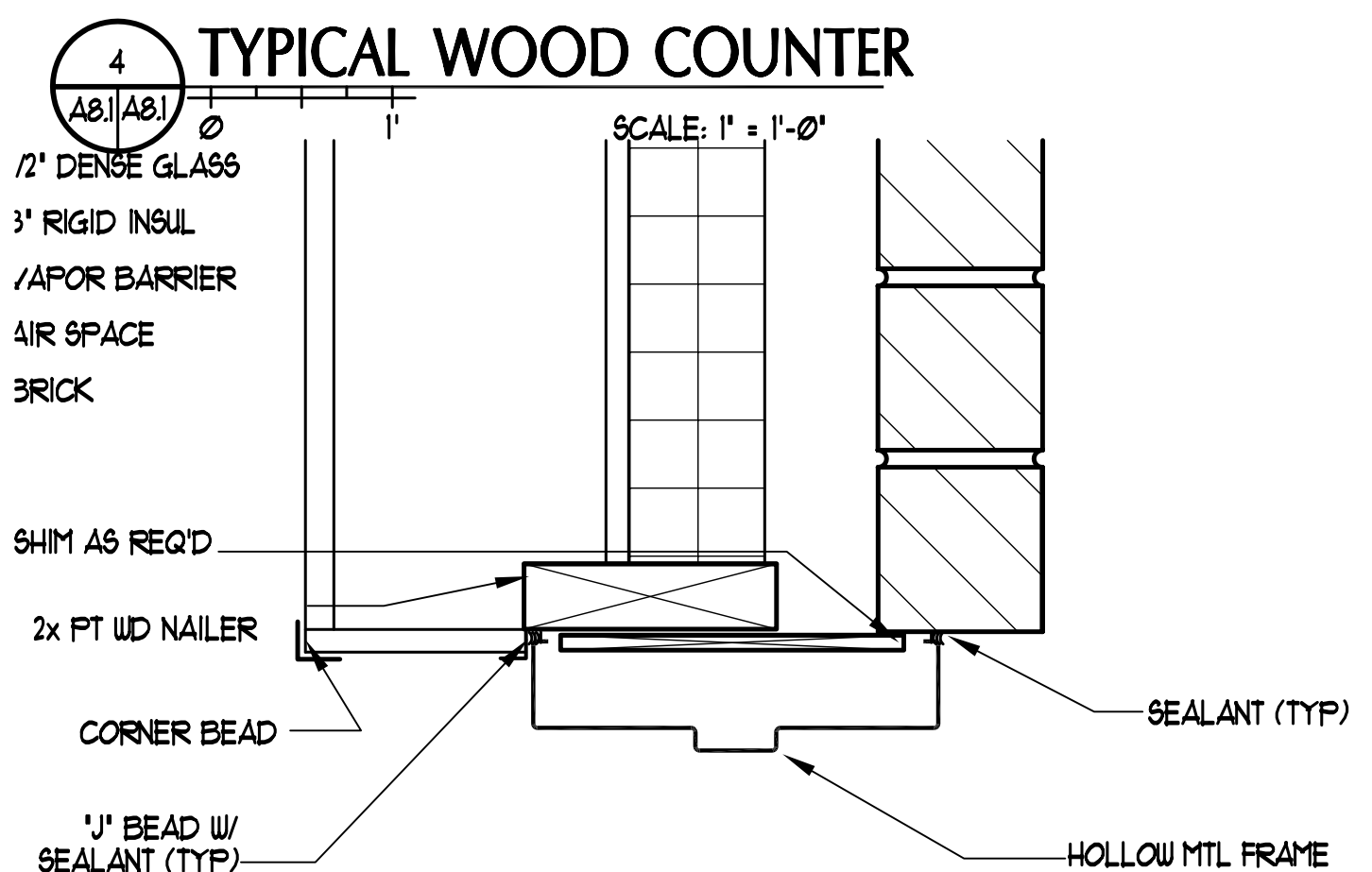
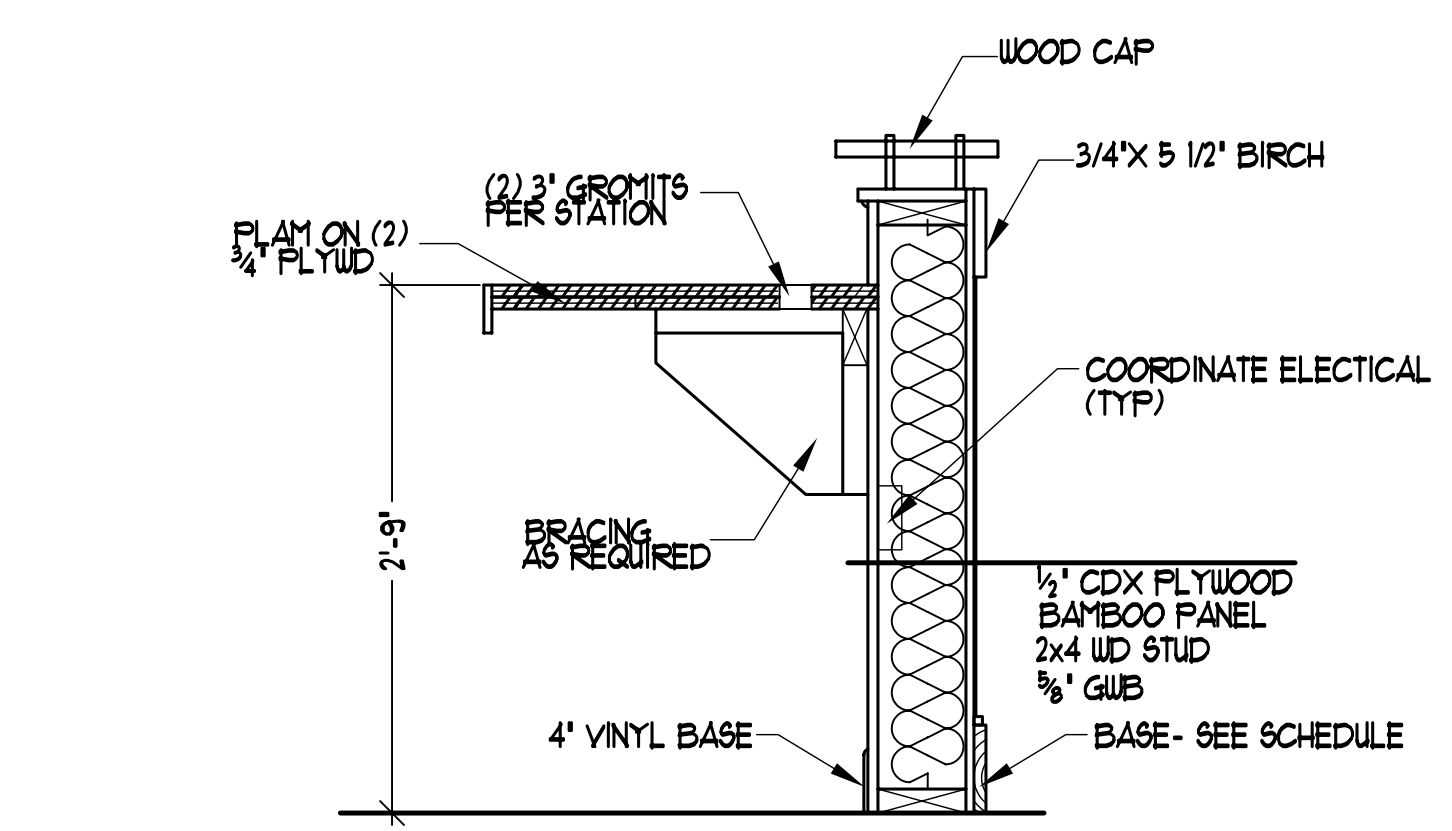
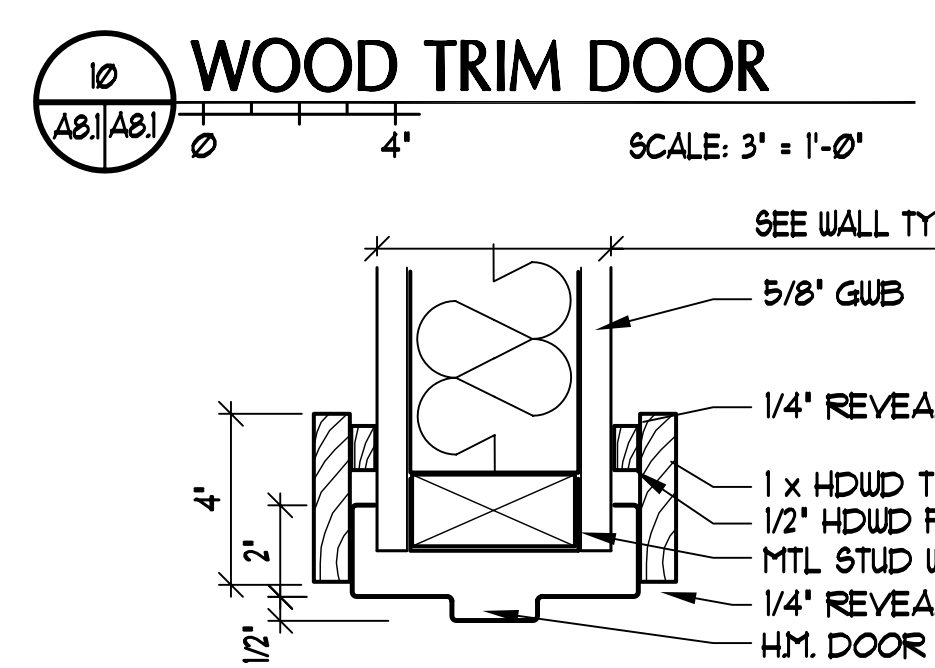
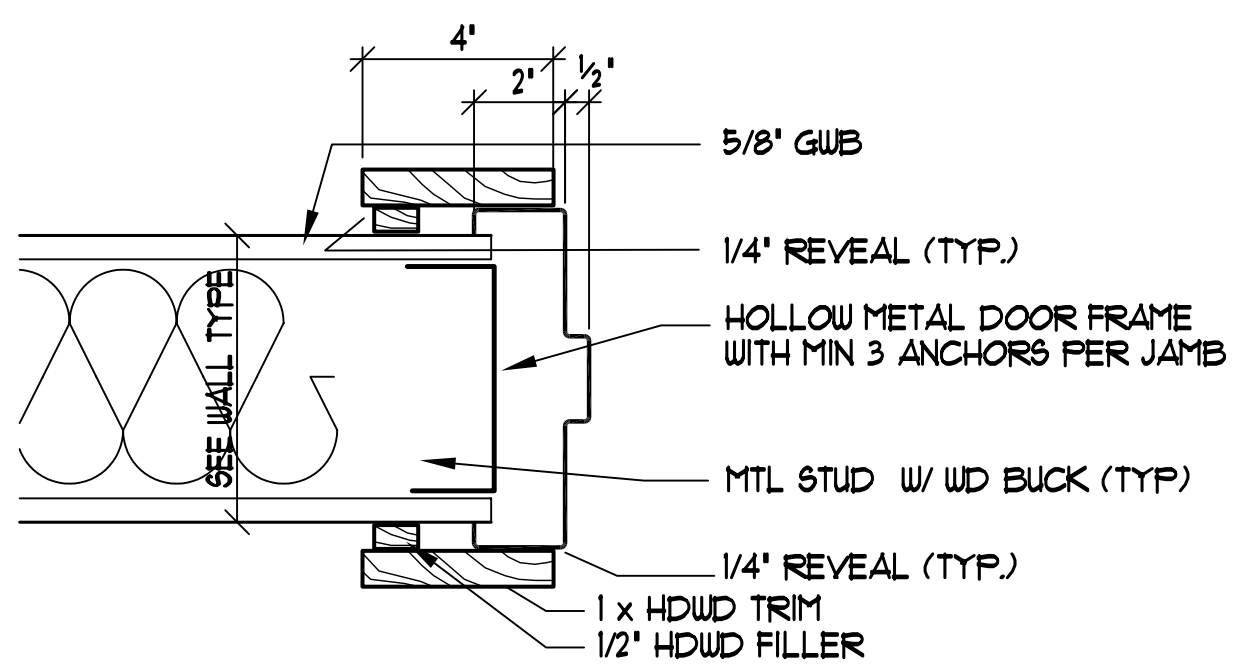
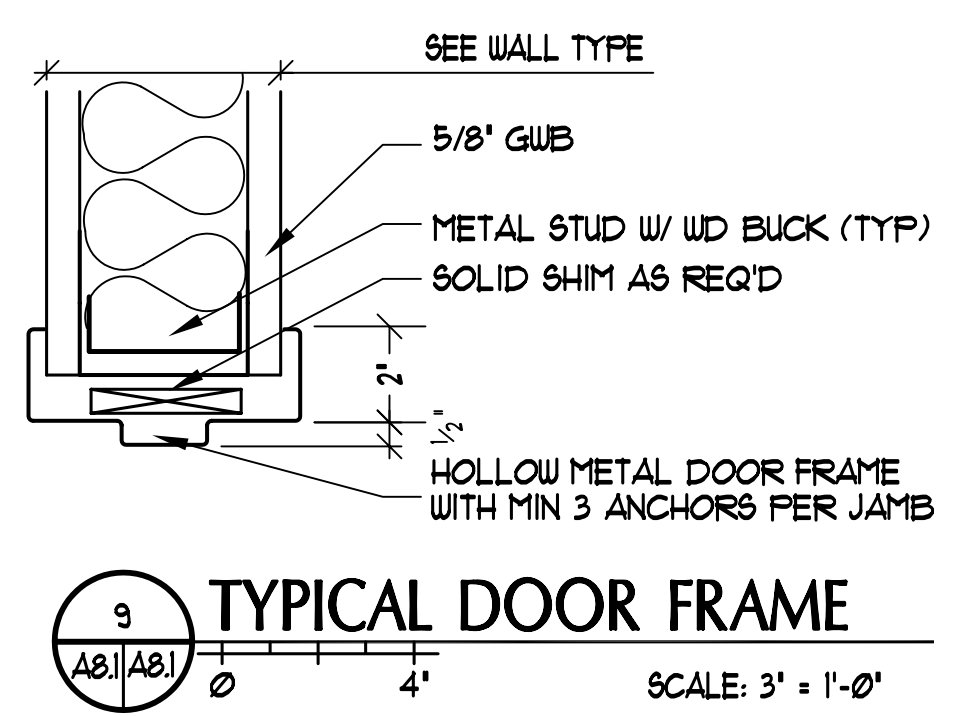
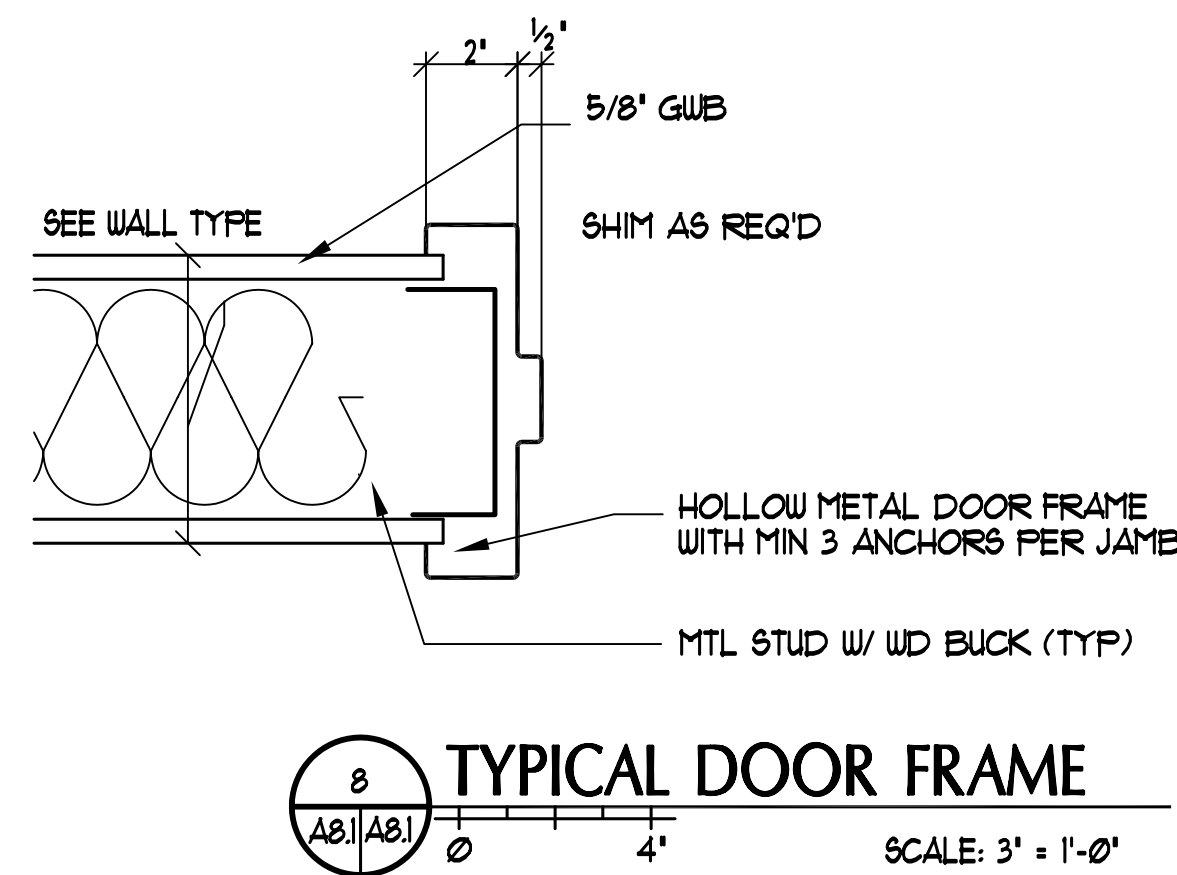


IF THIS SHEET IS NOT 24 X 36 IT IS A REDUCED SCALE PRINT - SCALE ACCORDINGLY

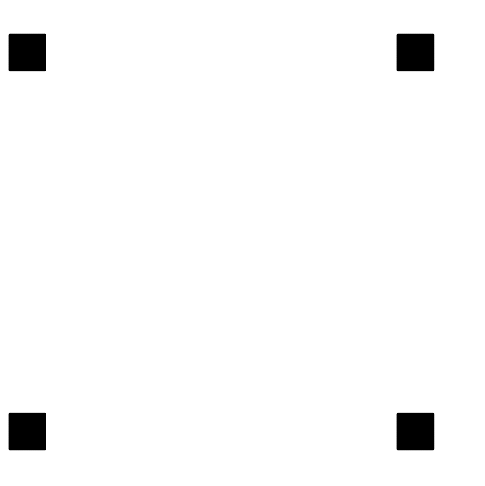


**WARNING:**  
NO HOLES, CUTS OR BORINGS  
IN CONCRETE SLAB  
MAY CAUSE  
FLOODING



**PORT CITY ARCHITECTURE**

65 NEWBURY STREET  
PORTLAND, ME 04101  
207.761.9000  
fax: 207.761.2010  
lita@portcityarch.com



**JACOBS CONSULTANCY**  
GPB Laboratory Planning Practice

**VANZELM**  
REGISTERED PROFESSIONAL ENGINEERS  
VANZELM HEYWOOD & SHADFORD, INC.

**BECKER**  
Structural Engineers, Inc.

**SYTDesign**  
CONSULTANTS  
CIVIL ENGINEERING & LANDSCAPE ARCHITECTURE

**ALLIED/COOK**  
CONSTRUCTION

**Favreau**  
ELECTRICAL

**Titan Mechanical**  
MECHANICAL CONTRACTORS

**UNIVERSITY OF NEW ENGLAND**

**COLLEGE OF PHARMACY**

716 STEVENS AVENUE, PORTLAND, ME

DATE	DESCRIPTION
01/24/08	PERMIT SET
06/5/06	

SHEET NAME  
**DETAILS**

Drawn By  
EAC / ANM  
Checked By  
LAS

A8.3

**PERMIT SET - NOT FOR CONSTRUCTION**