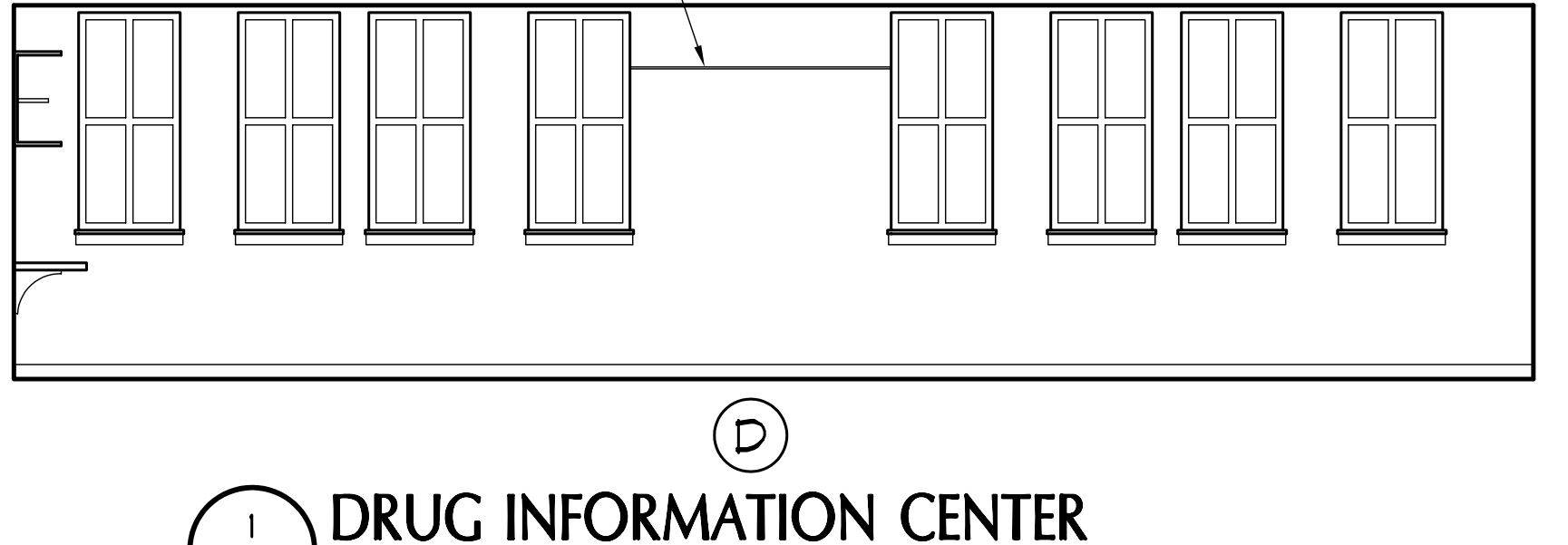
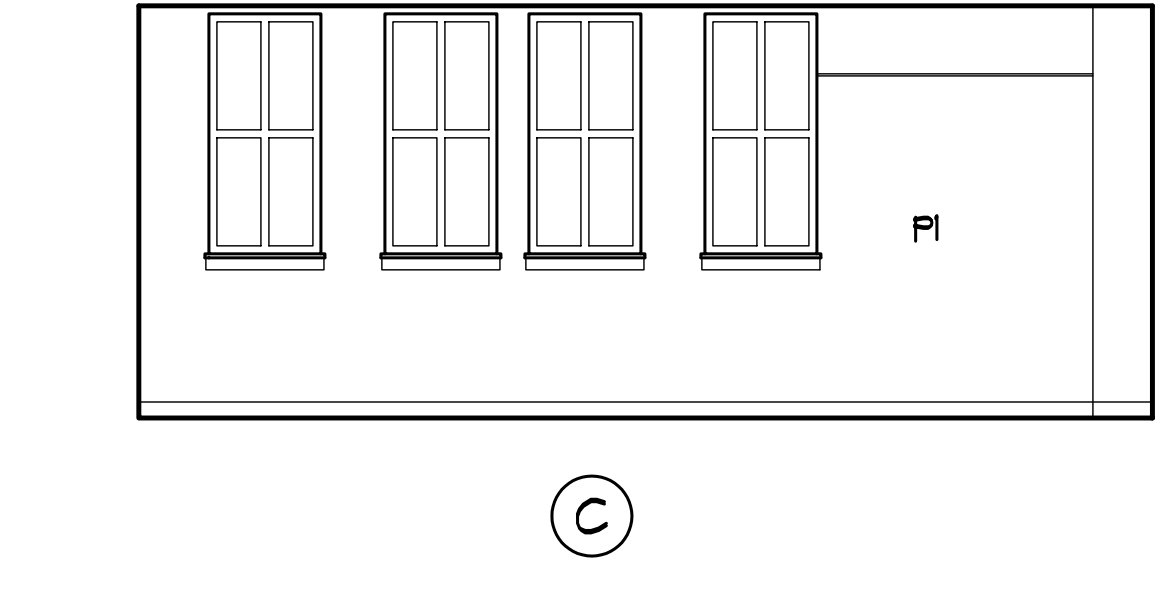
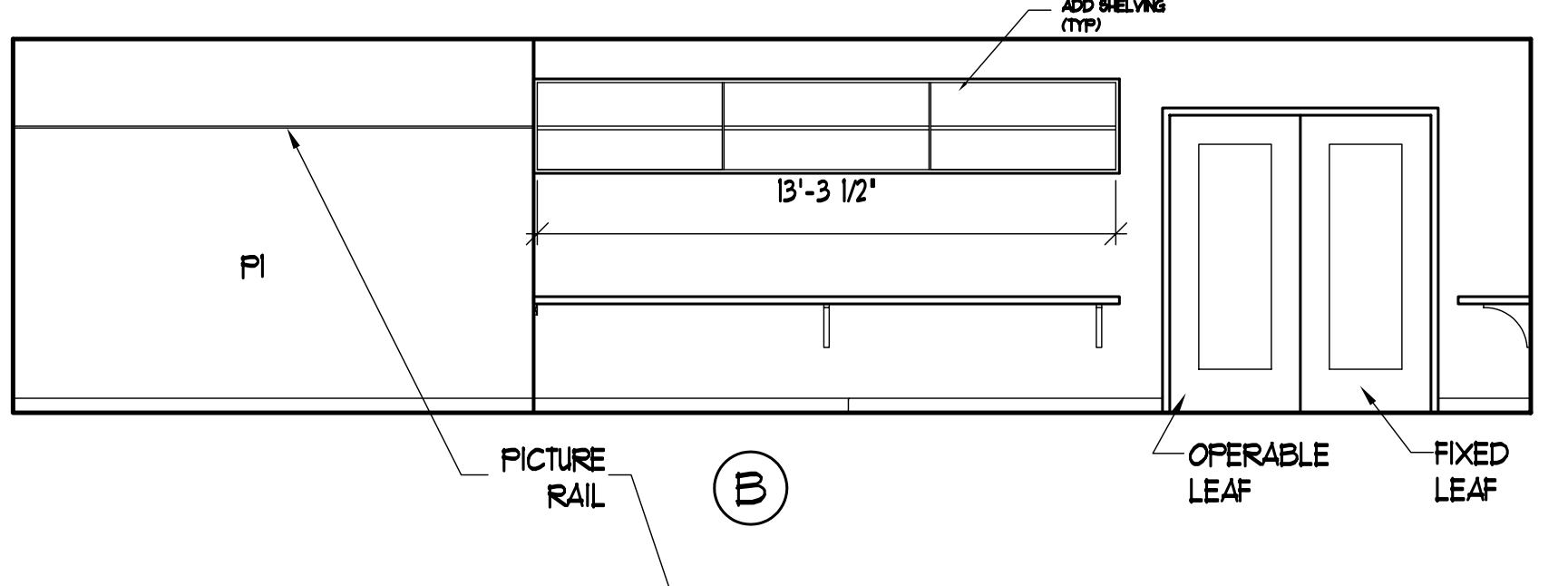
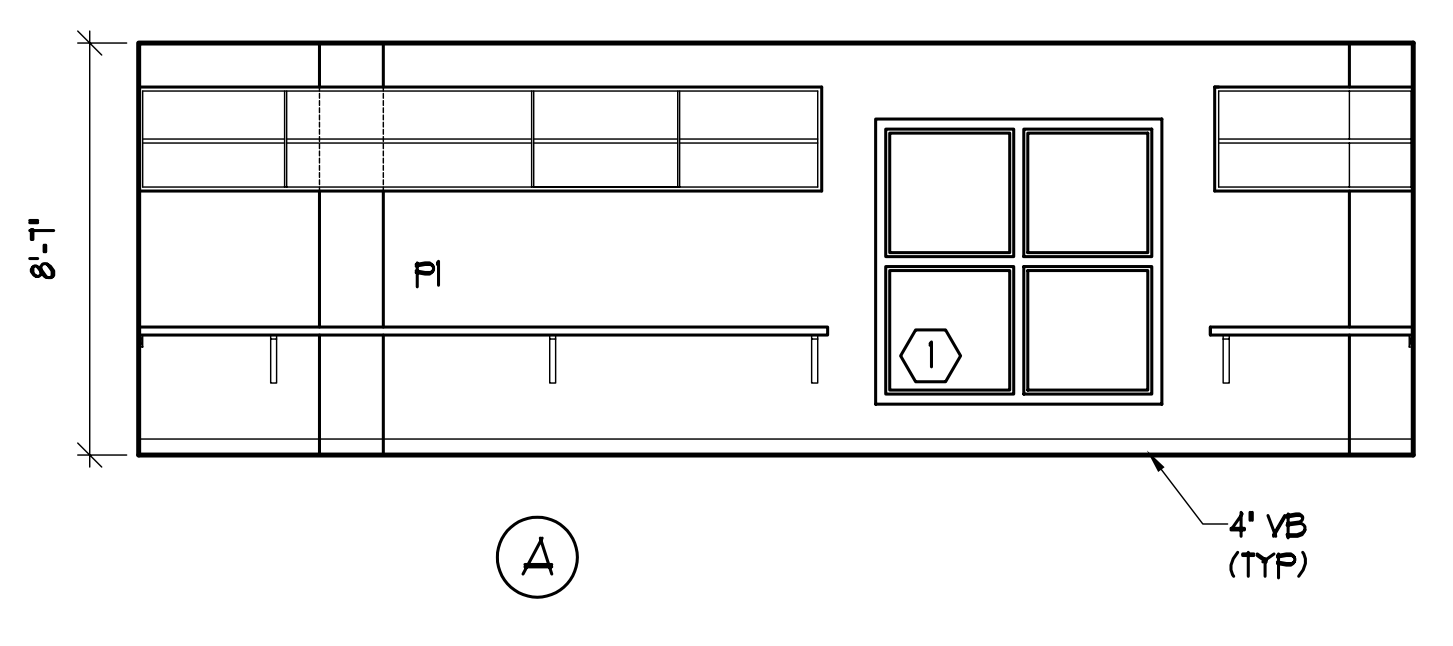
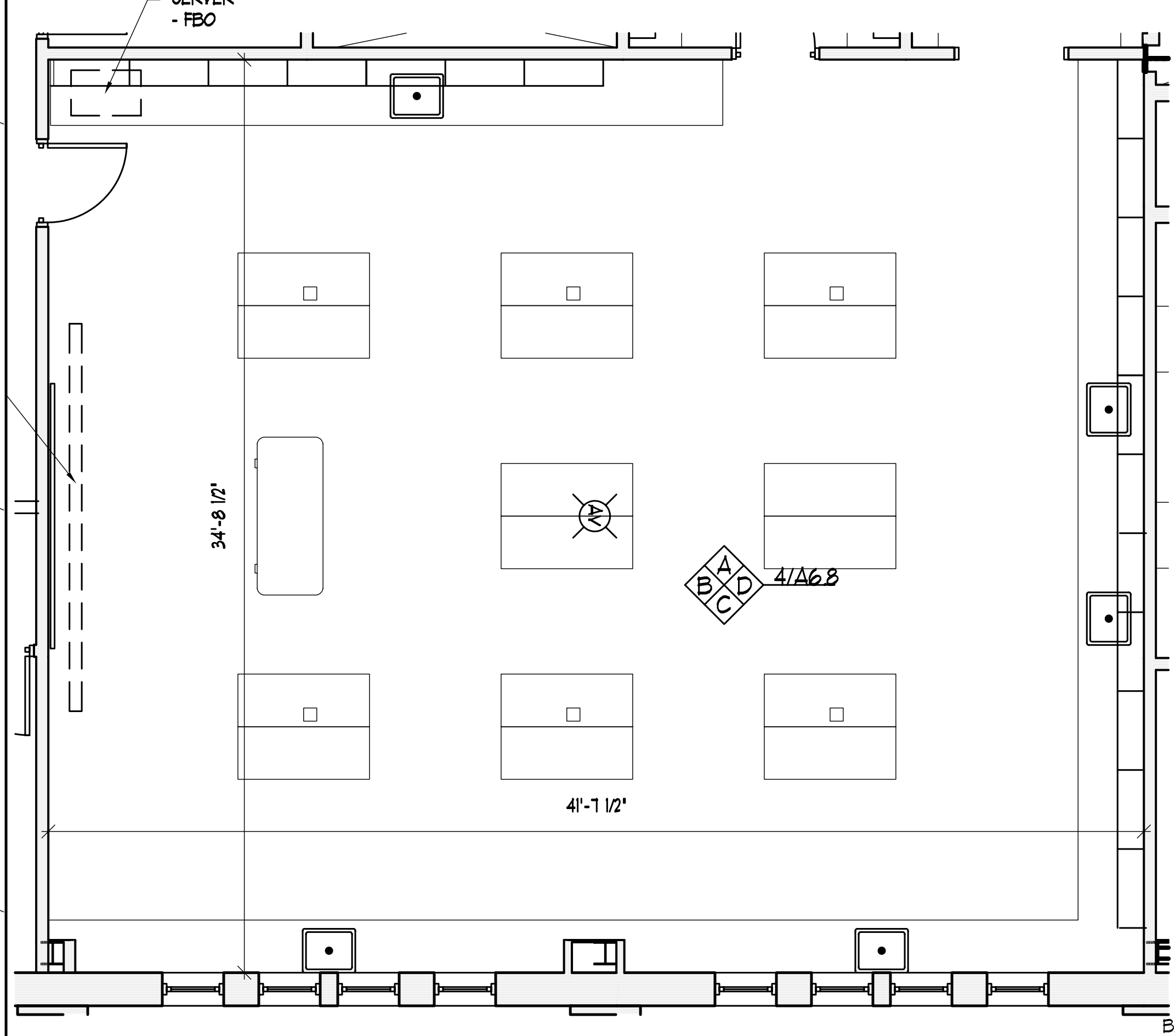
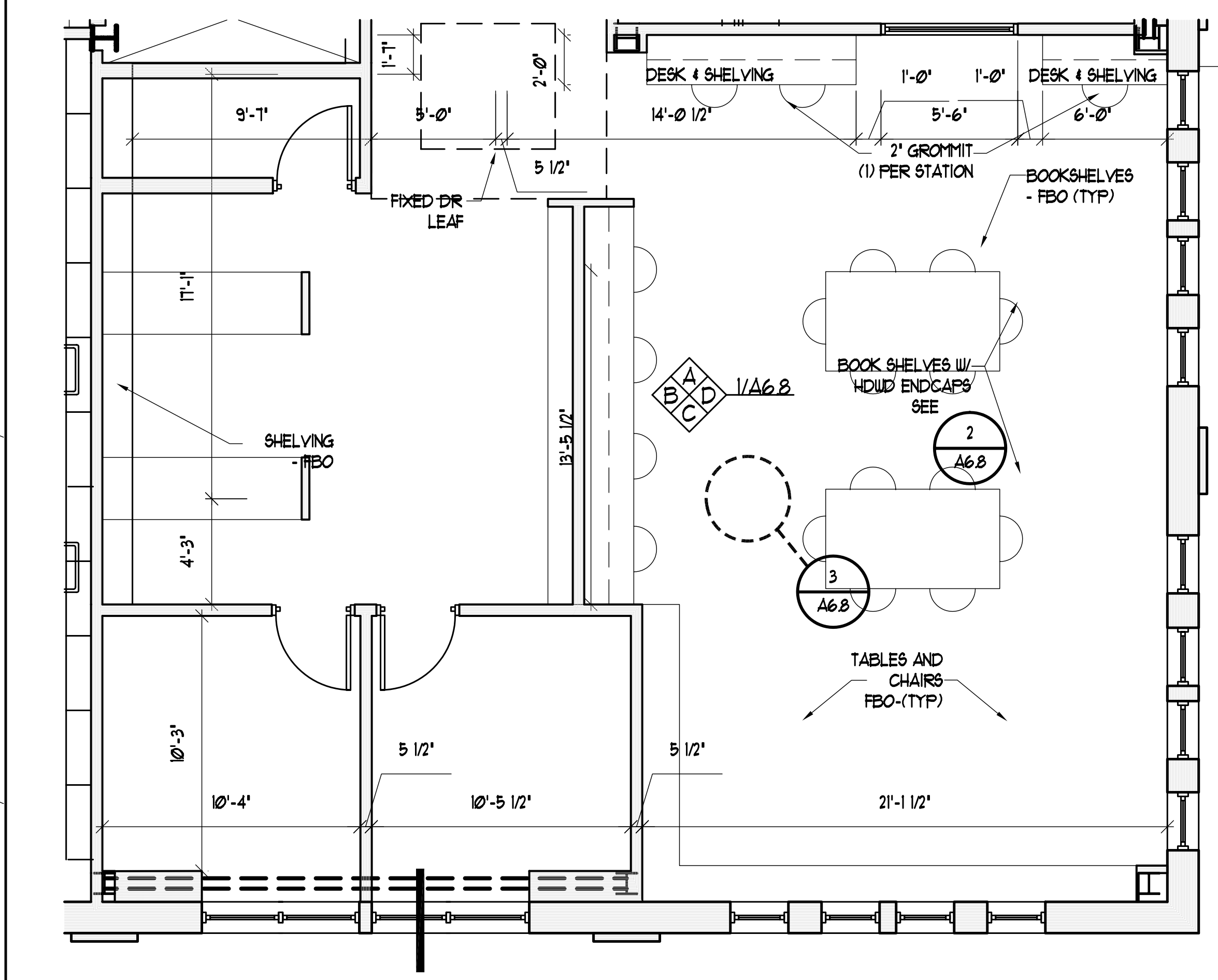
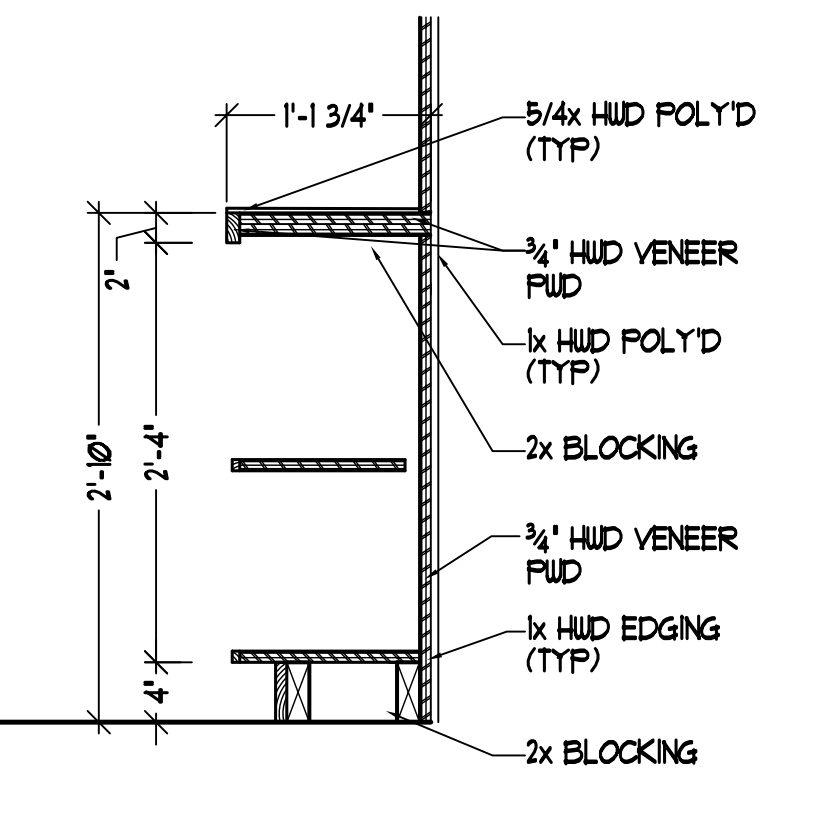


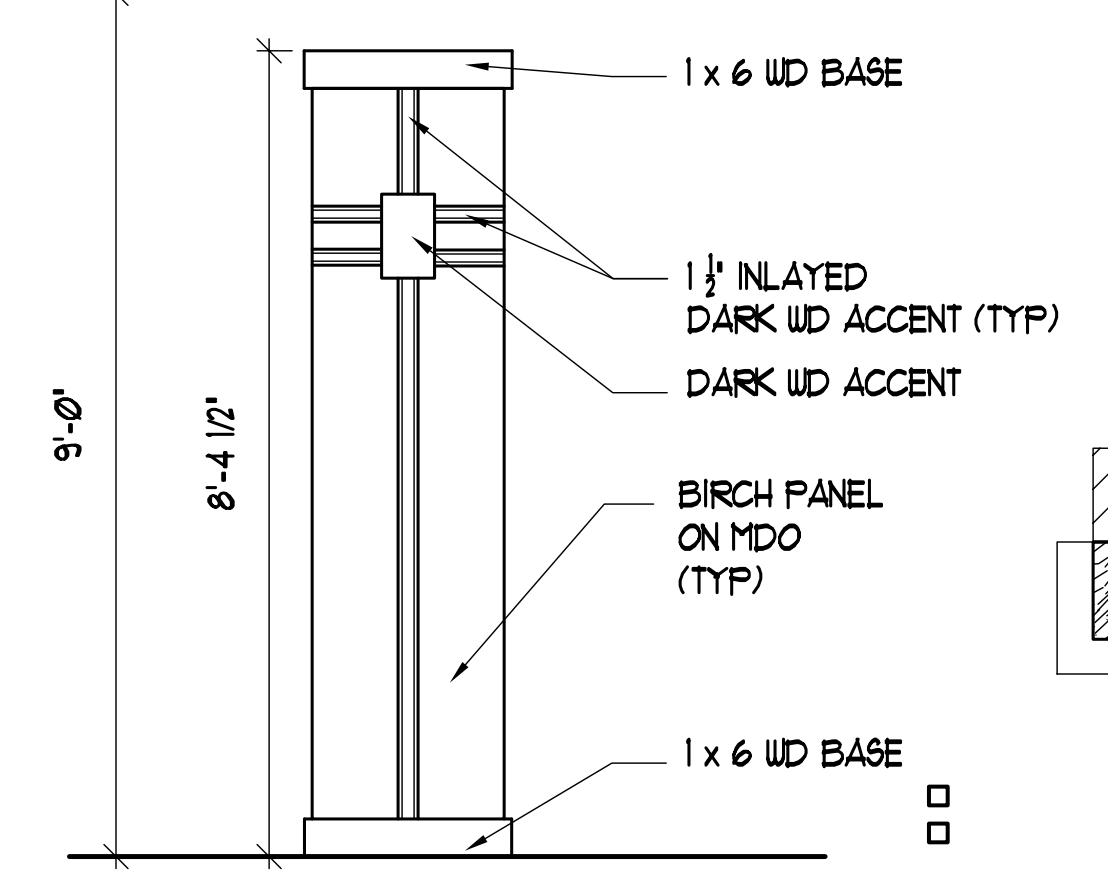
IF THIS SHEET IS NOT 24 X 36 IT IS A REDUCED SCALE PRINT - SCALE ACCORDINGLY



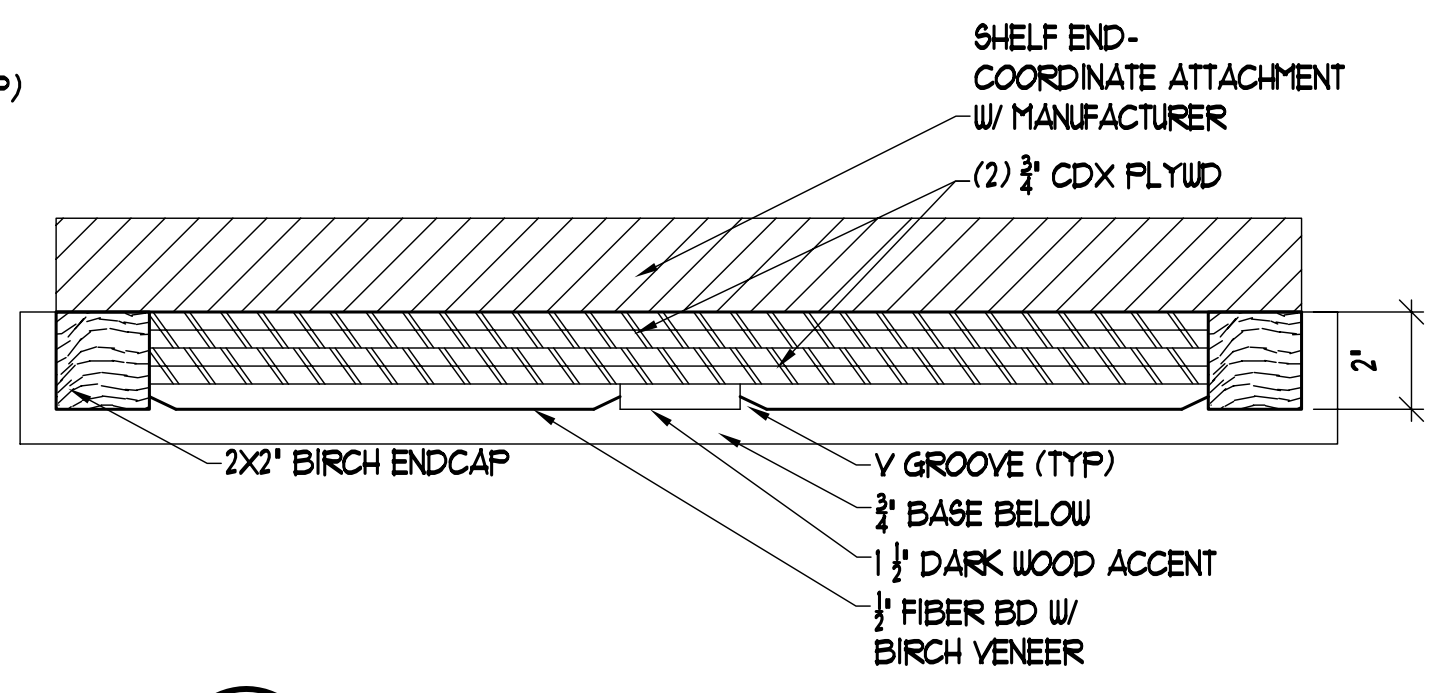
DRUG INFORMATION CENTER
SCALE: 1/4\"/>



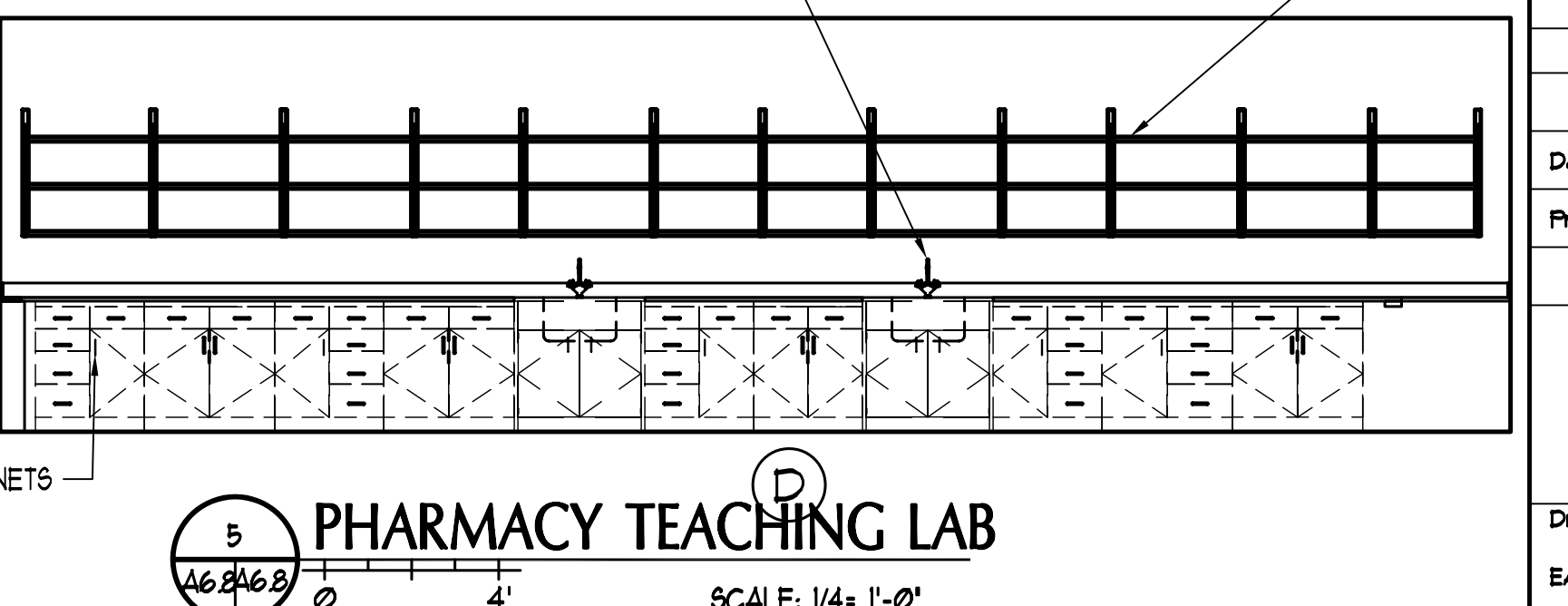
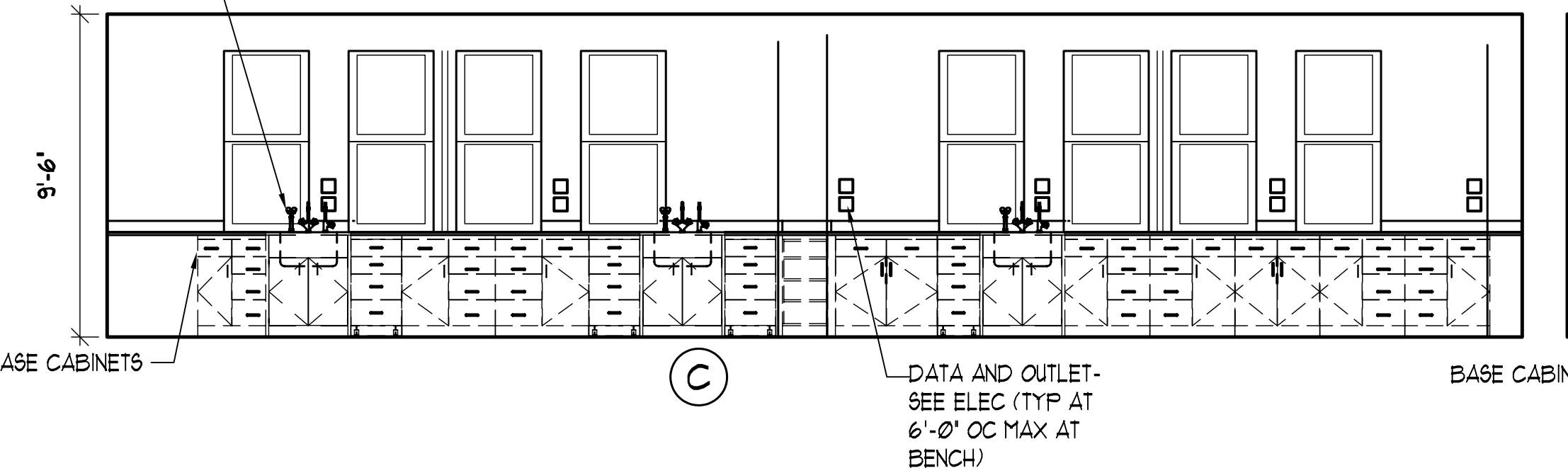
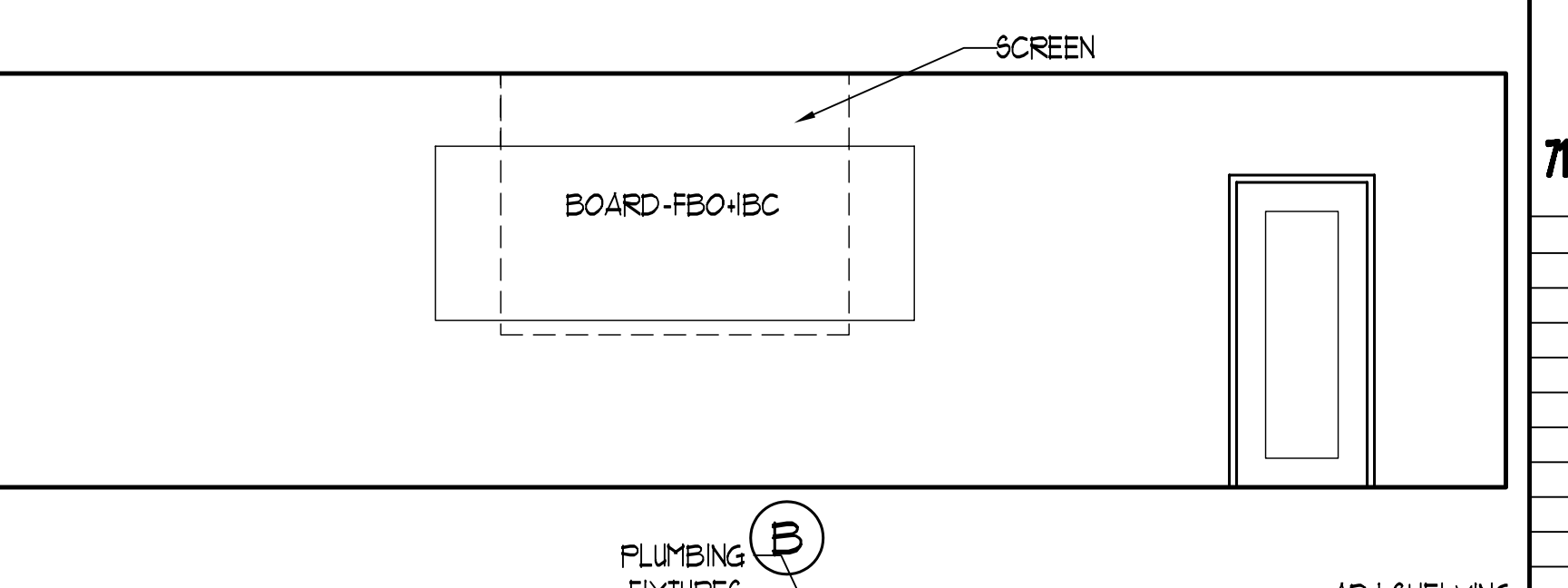
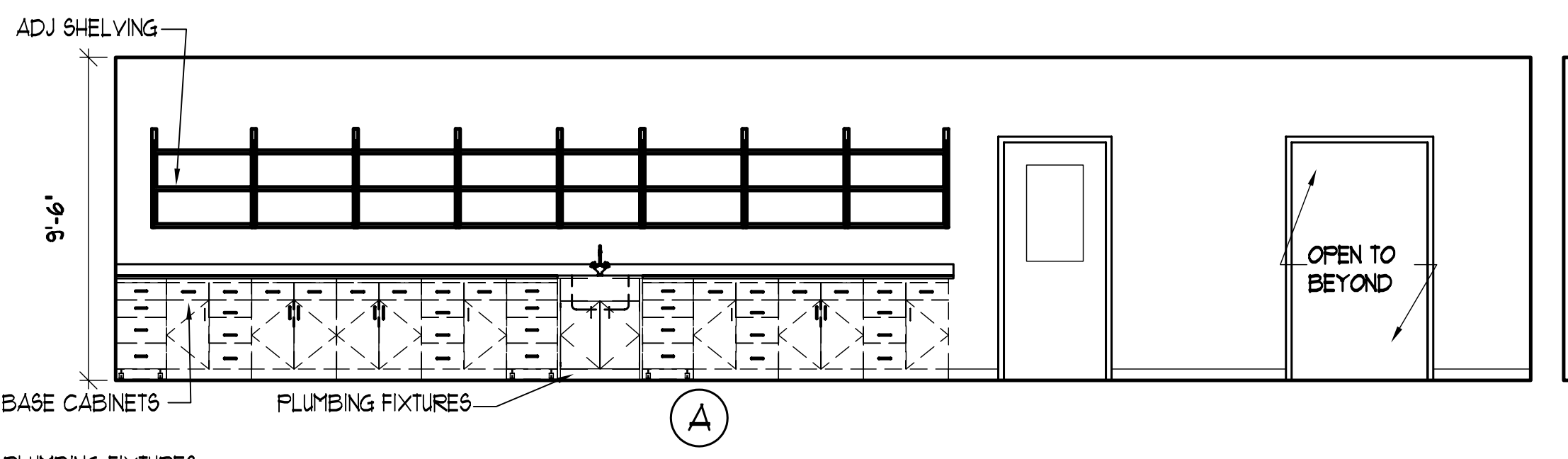
4 SHELF DETAIL
SCALE: 1/2\"/>



2 END CAP ELEVATION
SCALE: 1 1/2\"/>



3 END CAP DETAIL
SCALE: 3\"/>



5 PHARMACY TEACHING LAB
SCALE: 1/4\"/>

PERMIT SET - NOT FOR CONSTRUCTION

PORT CITY ARCHITECTURE
65 NEWBURY STREET
PORTLAND, ME 04101
207.761.9000
fax: 207.761.2010
lita@portcityarch.com

JACOBS CONSULTANCY
GPR Laboratory Planning Practice

VANZELM
STRUCTURAL ENGINEERS, INC.

BECKER
STRUCTURAL ENGINEERS, INC.

SYTDesign CONSULTANTS
CIVIL ENGINEERING & LANDSCAPE ARCHITECTURE

ALLIED/COOK CONSTRUCTION

Favreau

Titan Mechanical

UNIVERSITY OF NEW ENGLAND
COLLEGE OF PHARMACY
716 STEVENS AVENUE, PORTLAND, ME

DATE	DESCRIPTION
	PERMIT SET
Date Issued	01/24/08
Project Number	06506
FREESTANDING SHEET NAME	
INTERIOR ELEVATIONS	
Drawn By	EAC / ANM
Checked By	LAS
A6.8	