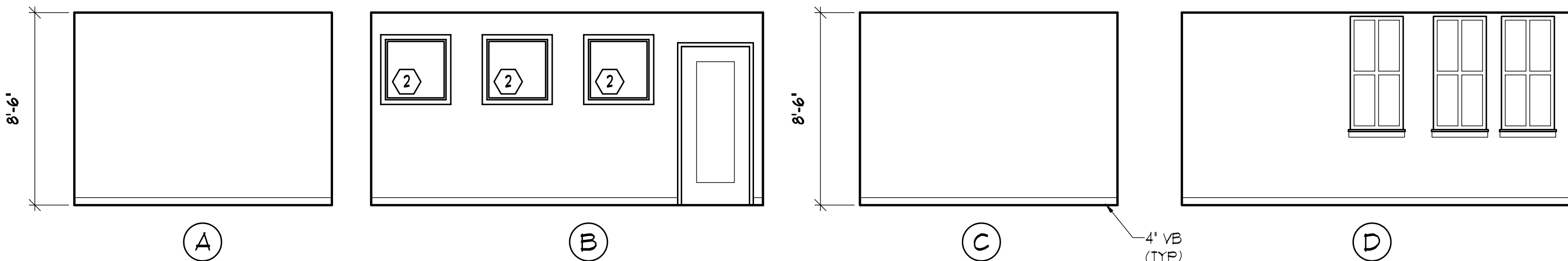
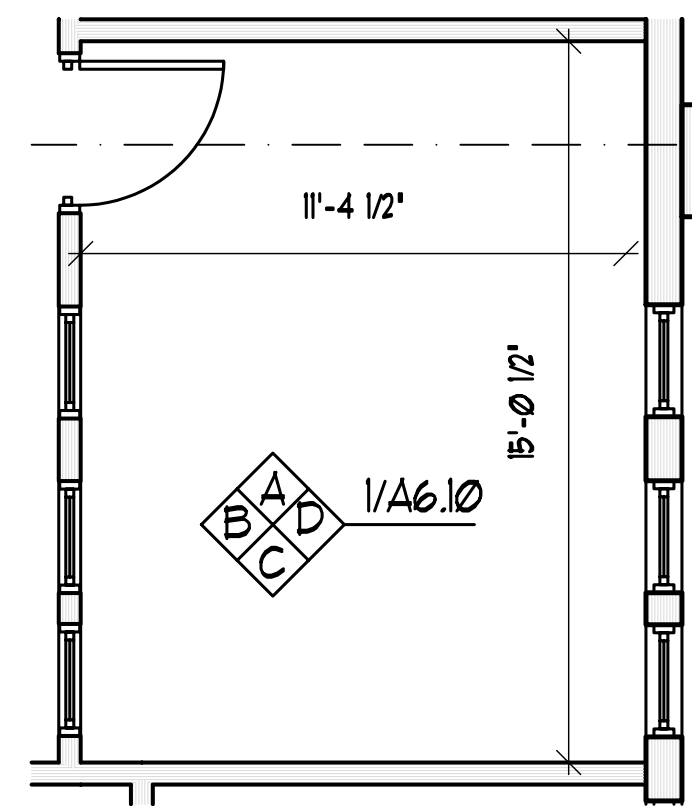
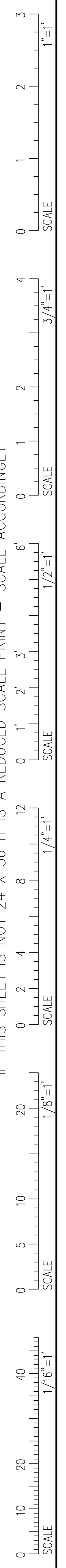
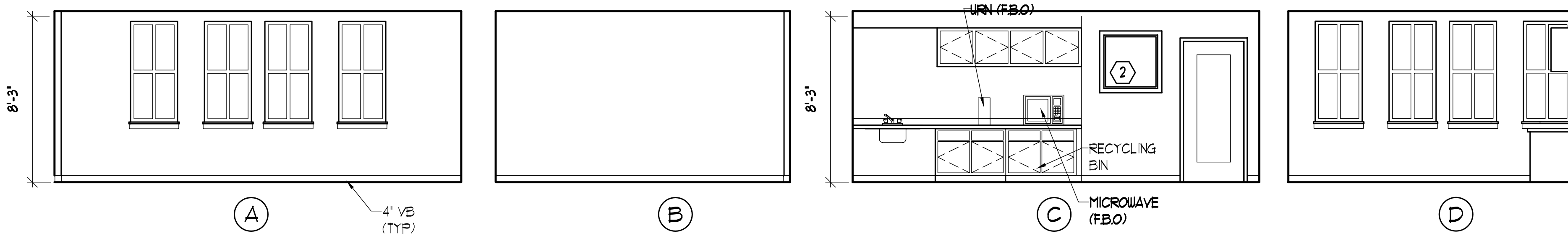
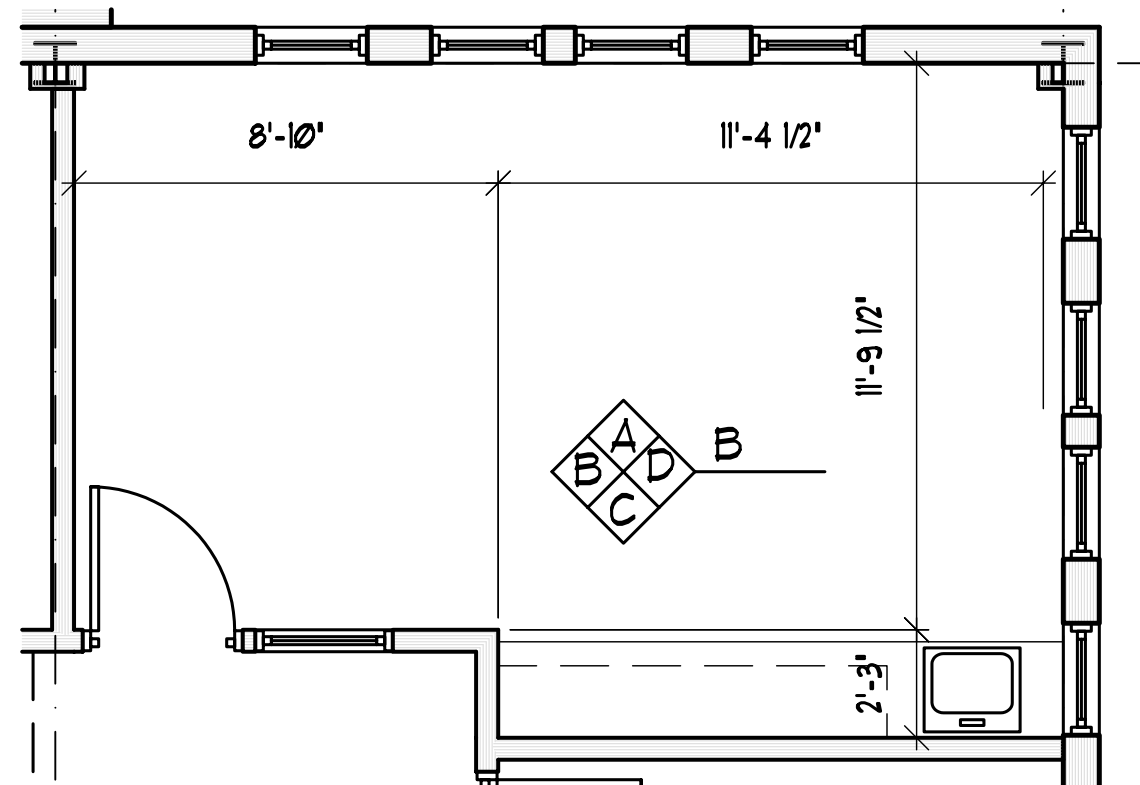


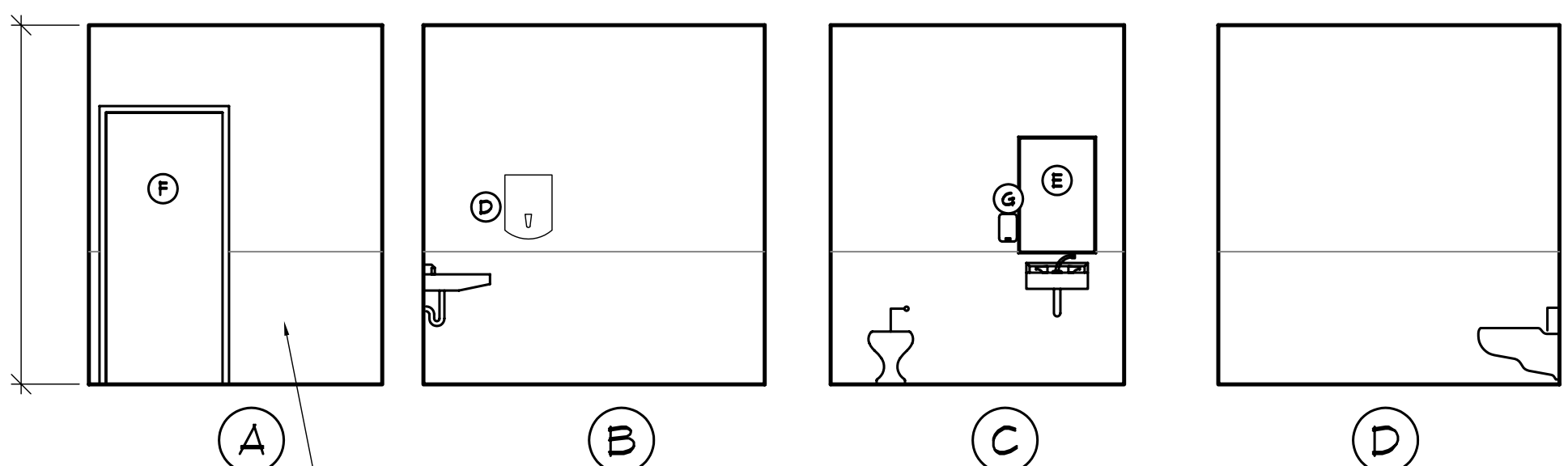
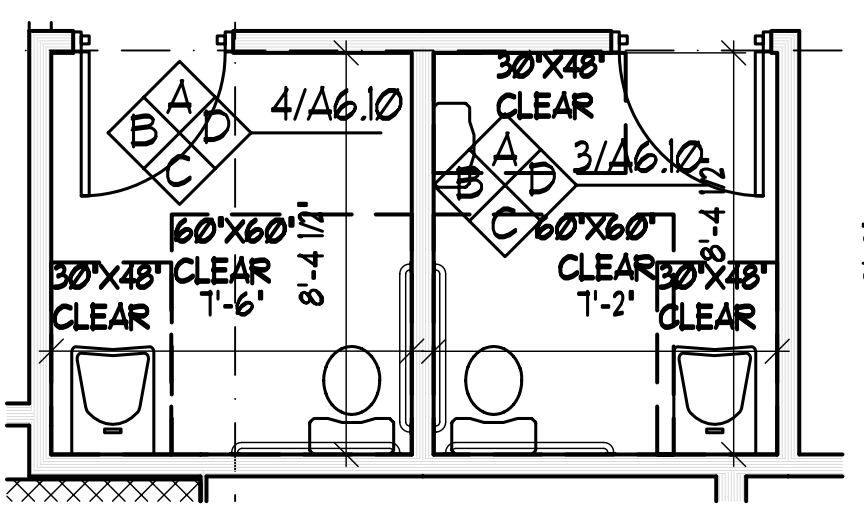
IF THIS SHEET IS NOT 24 X 36 IT IS A REDUCED SCALE PRINT - SCALE ACCORDINGLY



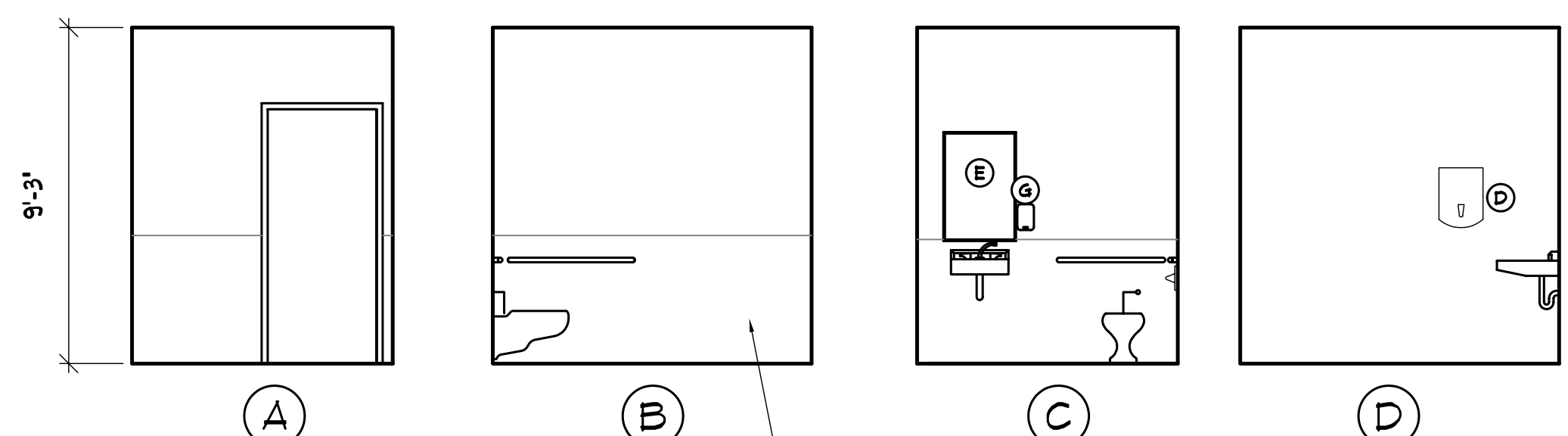
1 CONFERENCE ROOM
SCALE: 1/4" = 1'-0"



2 BREAK ROOM
SCALE: 1/4" = 1'-0"

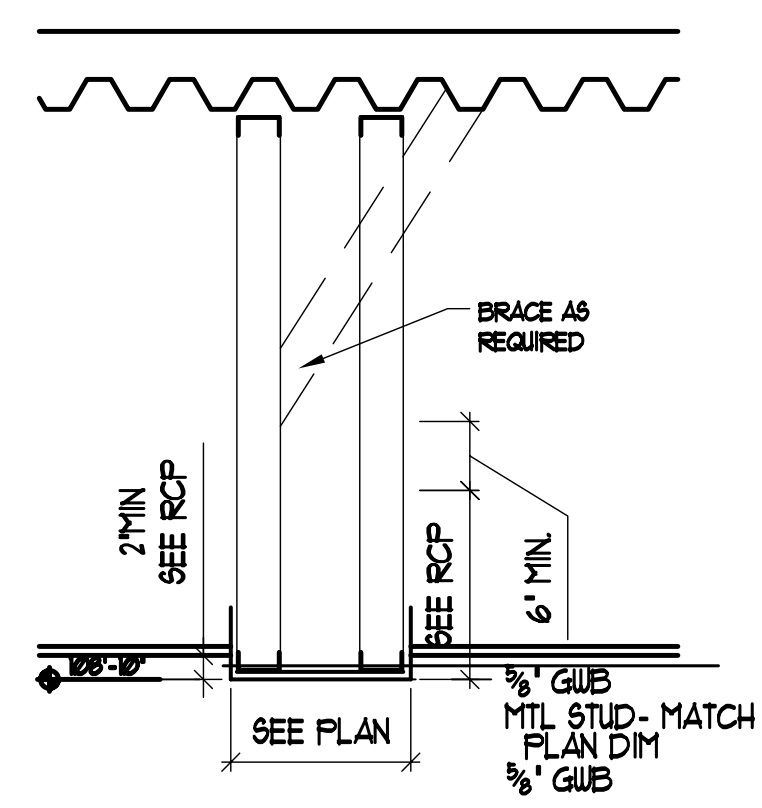


3 MENS BATHROOM
SCALE: 1/4" = 1'-0"

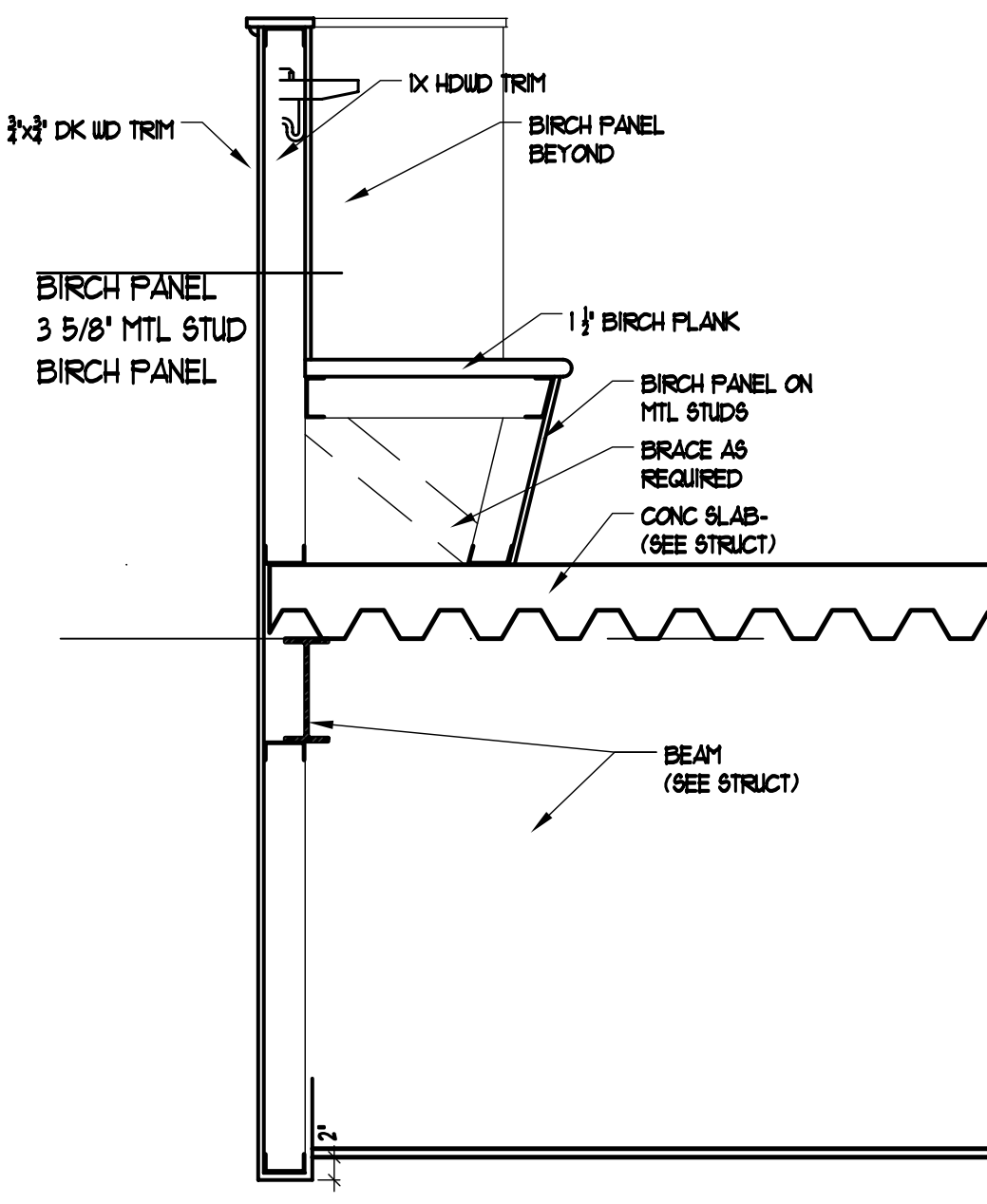


4 WOMEN'S BATHROOM
SCALE: 1/4" = 1'-0"

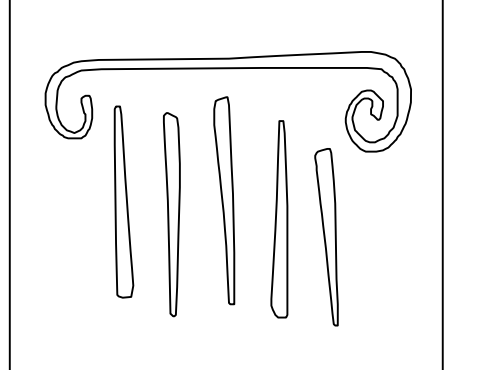
BATHROOM ACCESSORIES SCHEDULE			
NUM	ITEM	MOUNTING HEIGHT	NOTES
(A)	3'-6" DIA GRAB BAR	C @ 2'-10" AFF	-
(B)	3'-0" DIA GRAB BAR	C @ 2'-10" AFF	-
(C)	TOILET PAPER DISPENSER	C @ 20" AFF	FBO/IBC
(D)	PAPER TOWEL DISPENSER	T.O. TOWEL 3'-4"	FBO/IBC
(E)	24" x 36" MIRROR	BOTTOM @ 40" AFF	-
(F)	HOOK	-	-
(G)	SOAP DISPENSER	-	FBO/IBC



5 SOFFIT DETAIL
SCALE: 3/4" = 1'-0"



6 BENCH DETAIL
SCALE: 3/4" = 1'-0"



PORT CITY ARCHITECTURE

65 NEWBURY STREET
PORTLAND, ME 04101
207.761.9000
fax: 207.761.2010
lita@portcityarch.com

JACOBS CONSULTANCY
GPR Laboratory Planning Practice

VANZELM ENGINEERS
VANZELM HEYWOOD & SHADFORD, INC.

BECKER structural engineers, inc.

SYTDesign CONSULTANTS
CIVIL ENGINEERING & LANDSCAPE ARCHITECTURE

ALLIED/COOK CONSTRUCTION

Favreau electric

Titan Mechanical

UNIVERSITY OF NEW ENGLAND

COLLEGE OF PHARMACY

716 STEVENS AVENUE, PORTLAND, ME

DATE DESCRIPTION

PERMIT SET

Date Issued 01/24/08

Project Number 06506

FREESTANDING

SHEET NAME

INTERIOR ELEVATIONS

Drawn By

EAC / ANM

Checked By

LAS

A6.10

PERMIT SET - NOT FOR CONSTRUCTION

COPYRIGHT: Reuse or reproduction of the contents of this document is not permitted without written permission of PORT CITY ARCHITECTURE PA