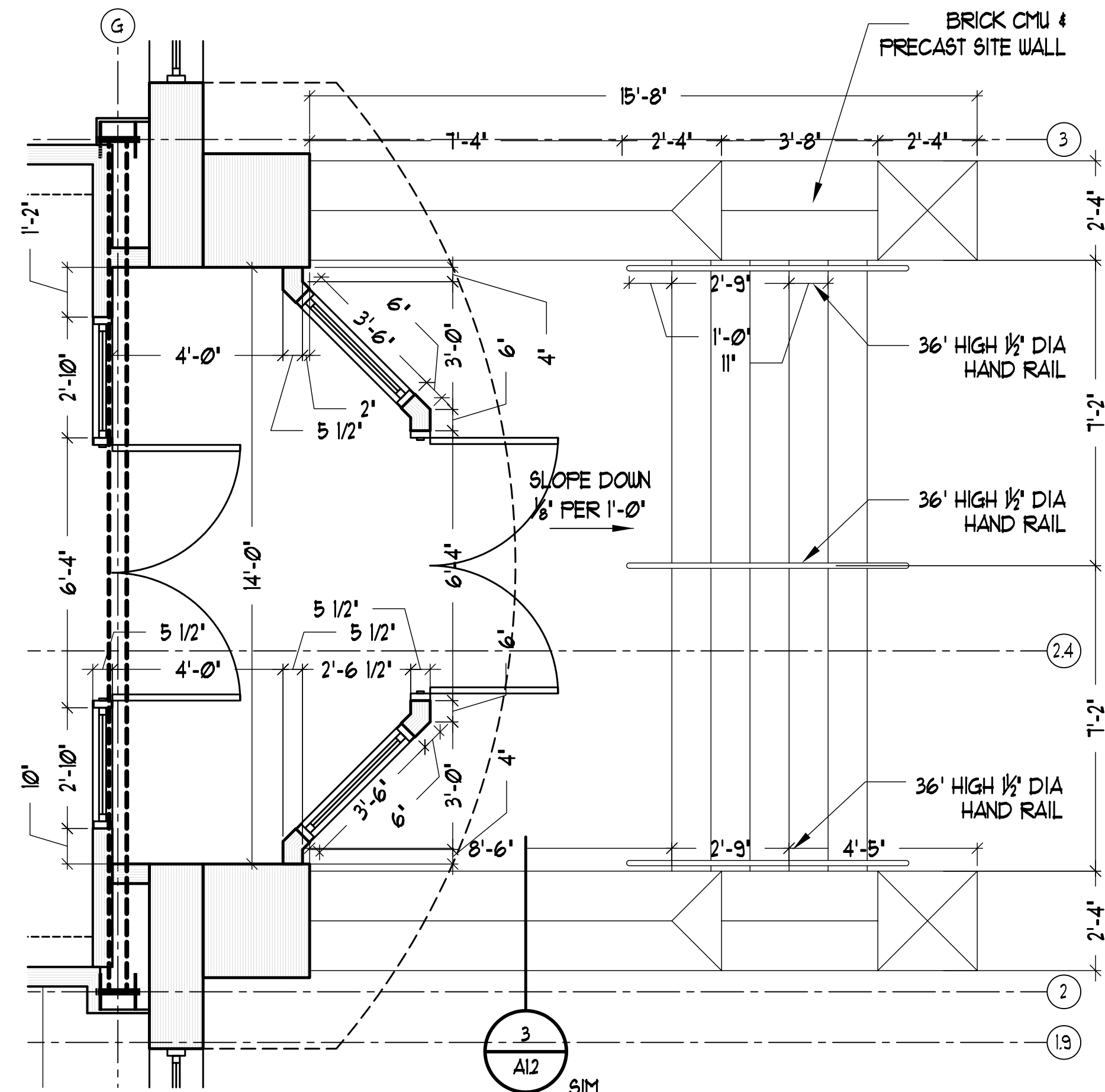
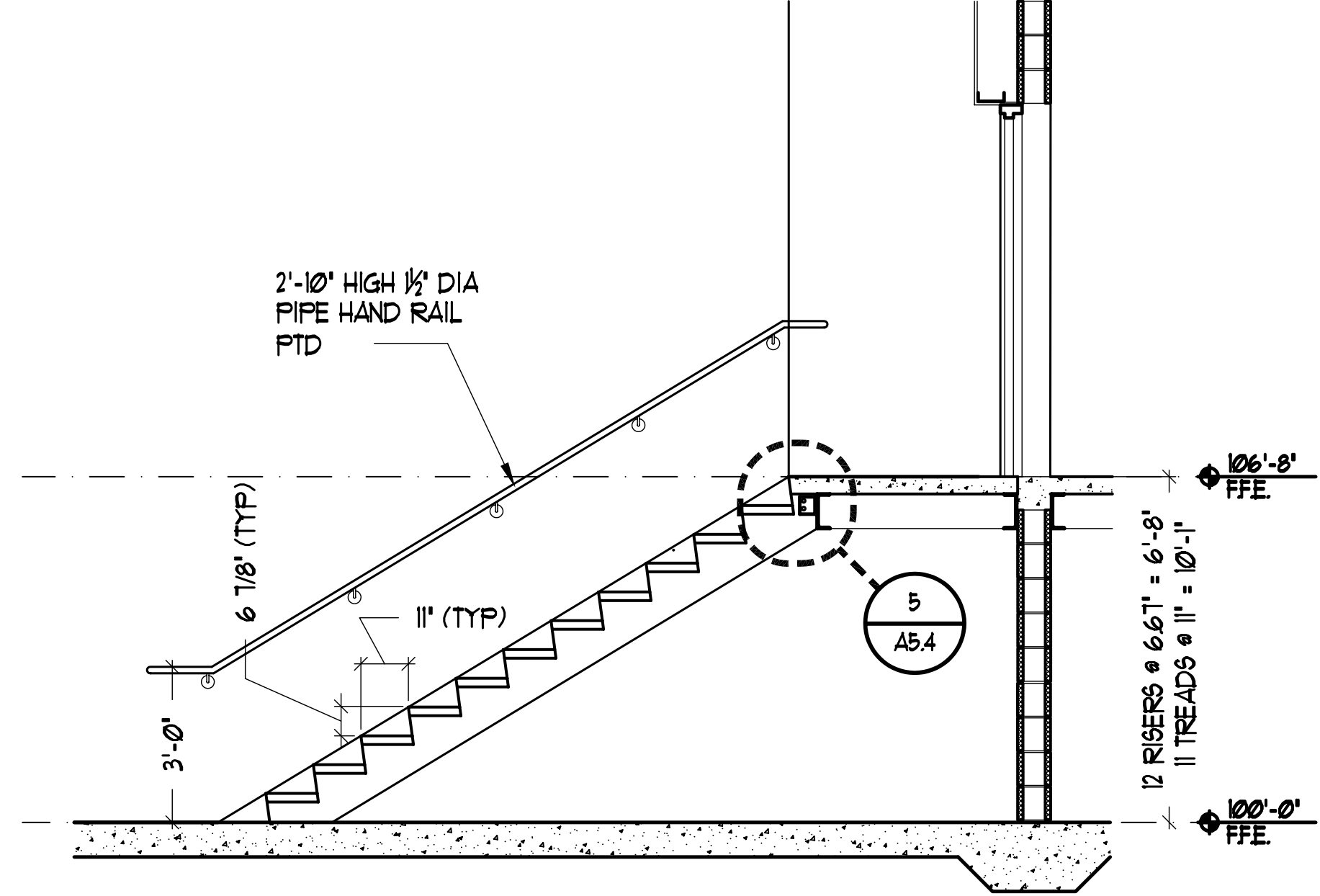


IF THIS SHEET IS NOT 24 X 36 IT IS A REDUCED SCALE PRINT - SCALE ACCORDINGLY

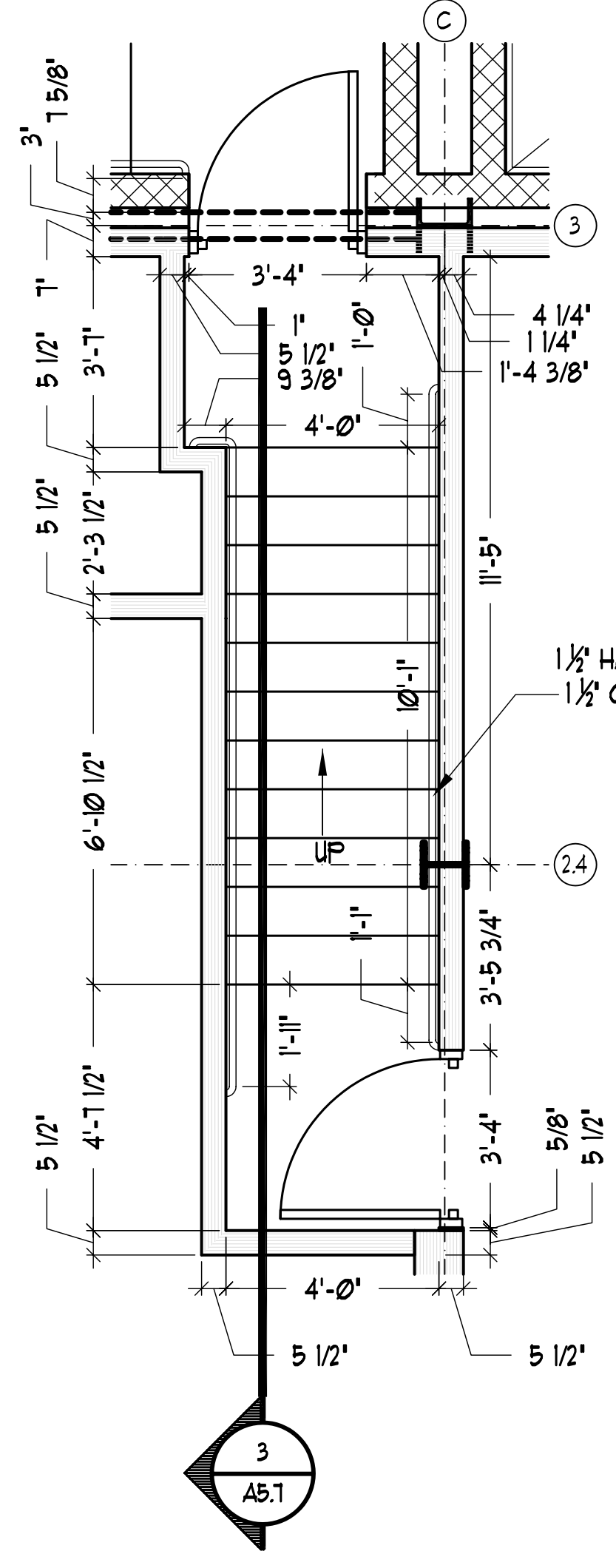


4 FRONT STAIR SECTION
SCALE: 3/8\"/>

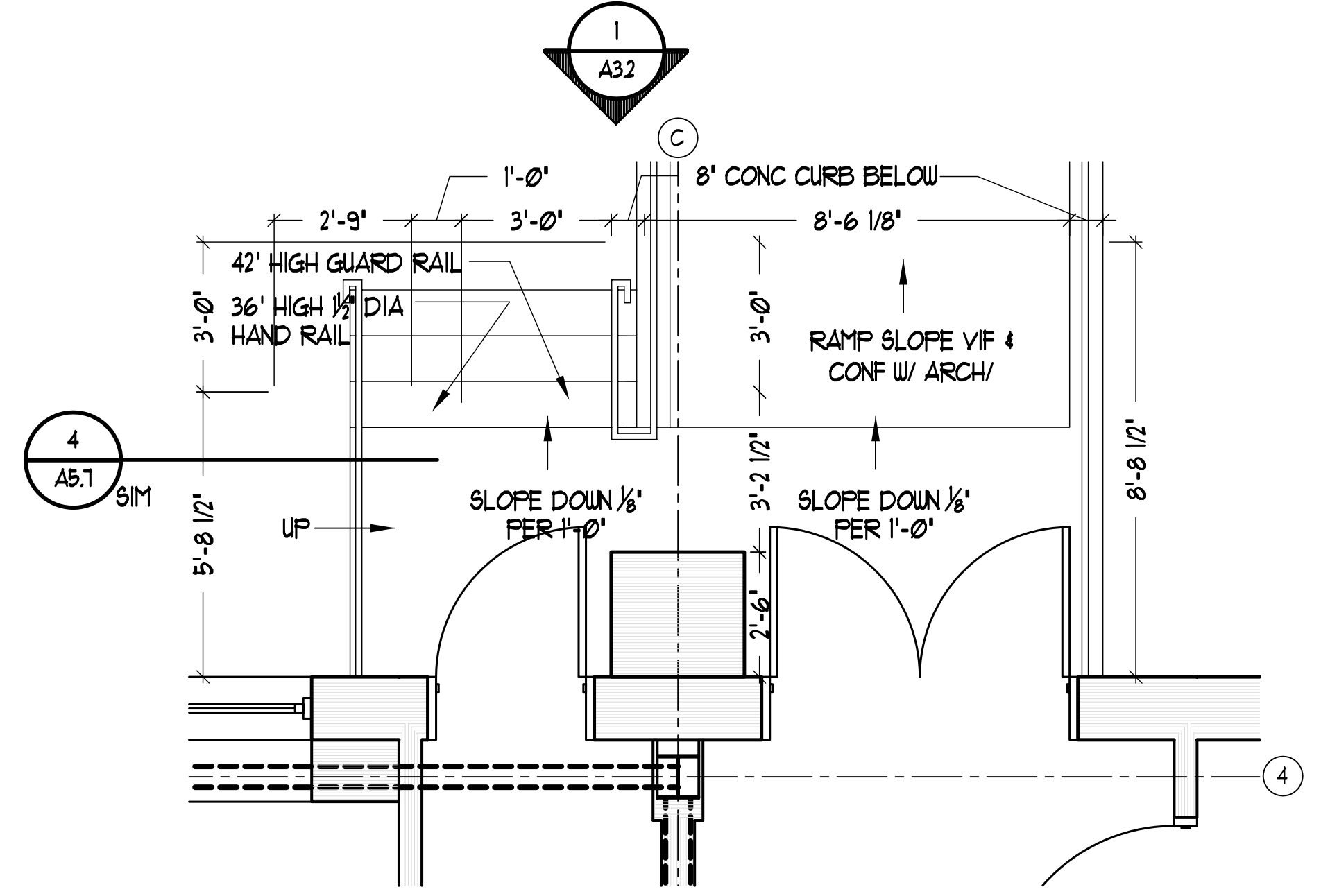
5 FRONT STAIR
SCALE: 3/8\"/>



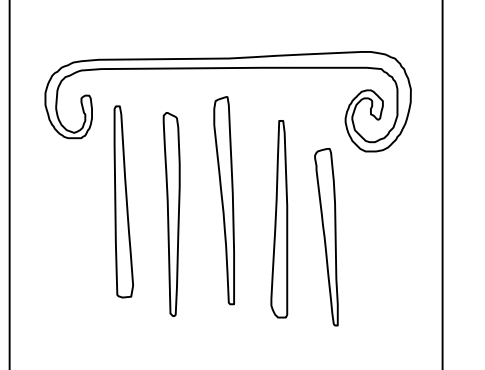
3 STAIR B TO VIV. SECT
SCALE: 3/8\"/>



2 STAIR B TO VIV. PLAN
SCALE: 3/8\"/>



1 LOADING DOCK PLAN
SCALE: 3/8\"/>



PORT CITY ARCHITECTURE

65 NEWBURY STREET
PORTLAND, ME 04101
207.761.9000
fax: 207.761.2010
lita@portcityarch.com

- JACOBS CONSULTANCY**
GPR Laboratory Planning Practice
- VANZELM ENGINEERS**
VANZELM HEYWOOD & SHADFORD, INC.
- BECKER structural engineers, inc.**
- SYTDesign CONSULTANTS**
CIVIL ENGINEERING & LANDSCAPE ARCHITECTURE
- ALLIED/COOK CONSTRUCTION**
- Favreau**
- Titan Mechanical**

UNIVERSITY OF NEW ENGLAND
COLLEGE OF PHARMACY
716 STEVENS AVENUE, PORTLAND, ME

DATE	DESCRIPTION
01/24/08	PERMIT SET
06/5/06	PROJECT NUMBER

SHEET NAME
EXTERIOR STAIR PLANS

Drawn By
EAC / ANM
Checked By
LAS

A5.7

PERMIT SET - NOT FOR CONSTRUCTION