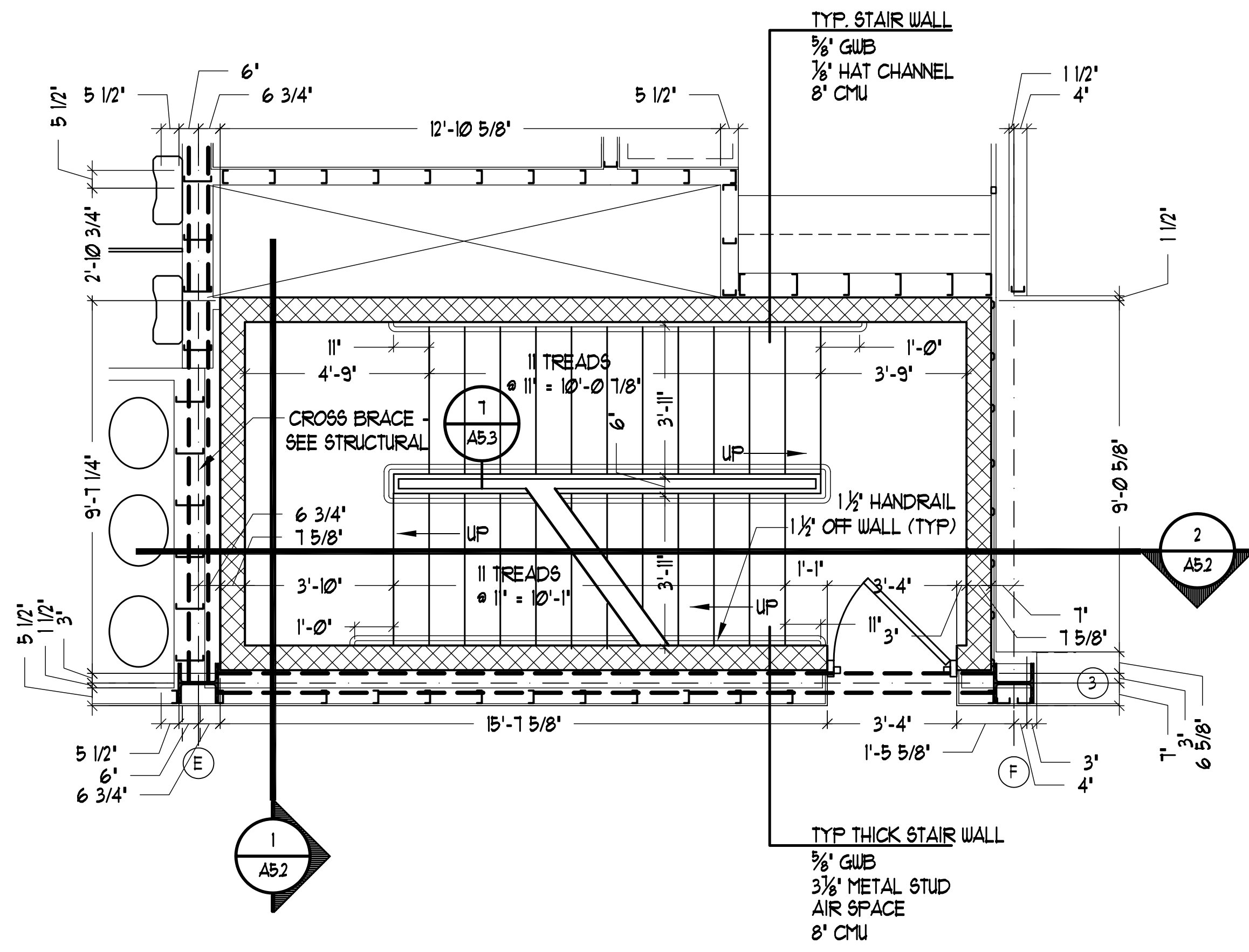
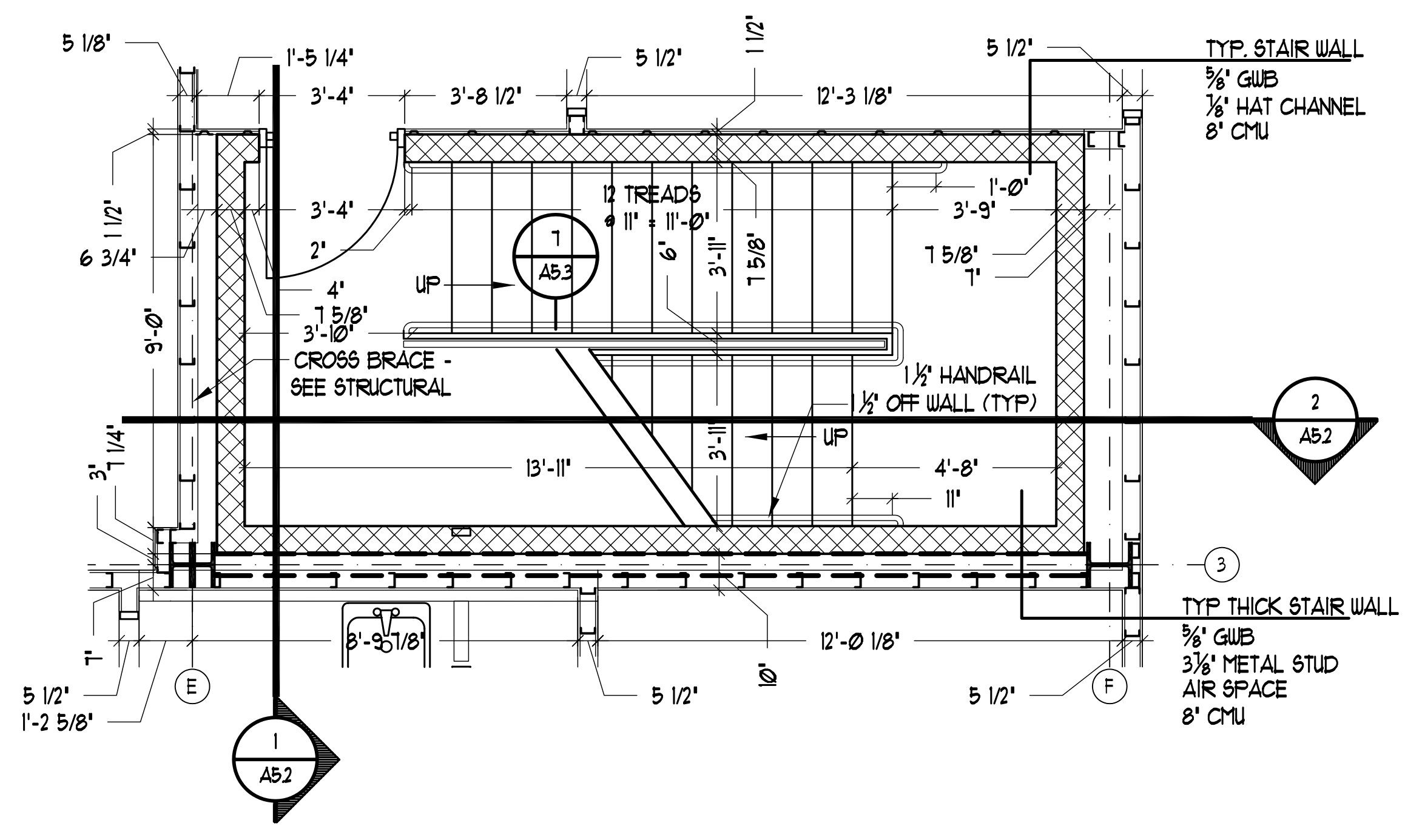


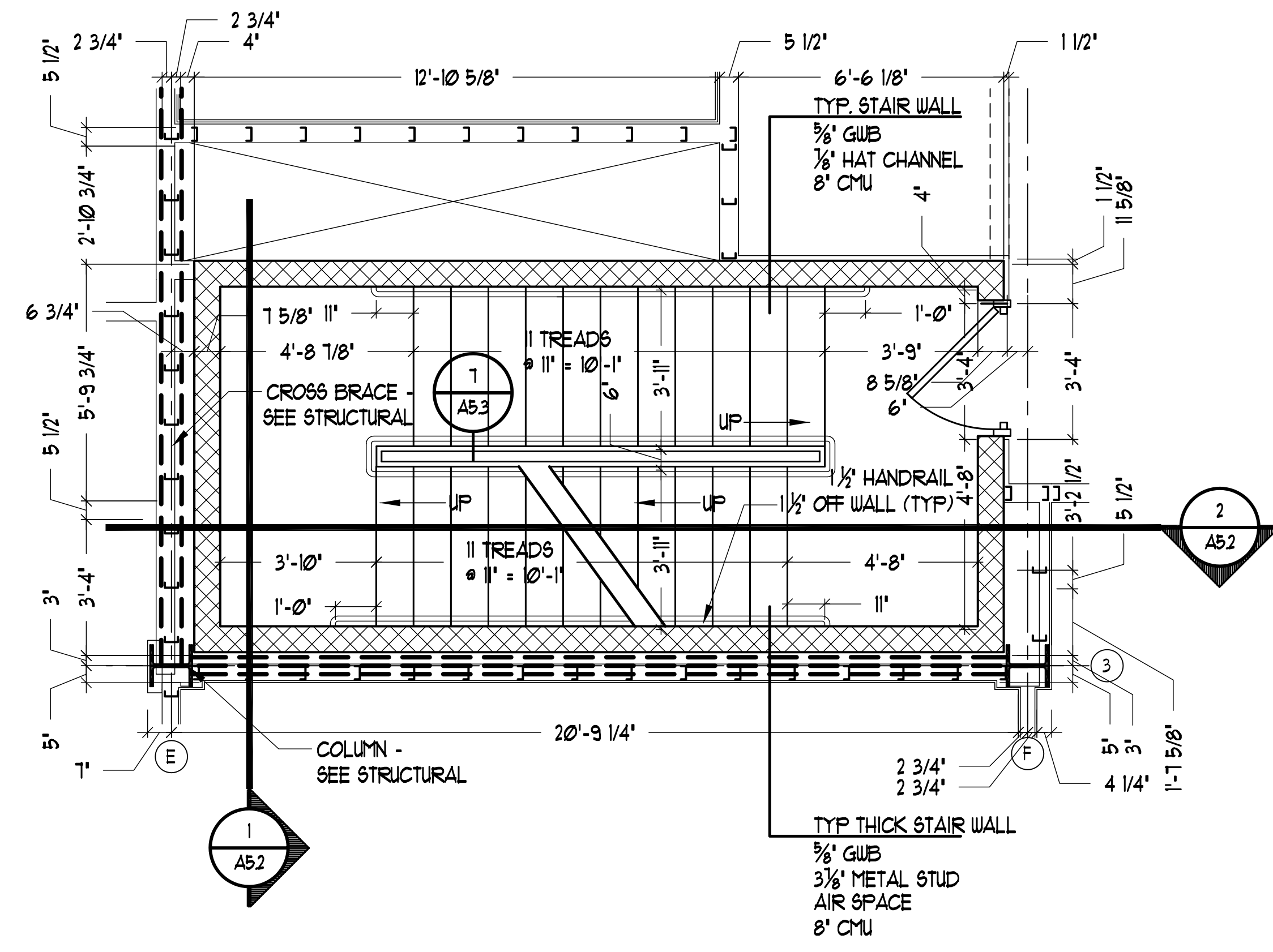
IF THIS SHEET IS NOT 24 X 36 IT IS A REDUCED SCALE PRINT - SCALE ACCORDINGLY



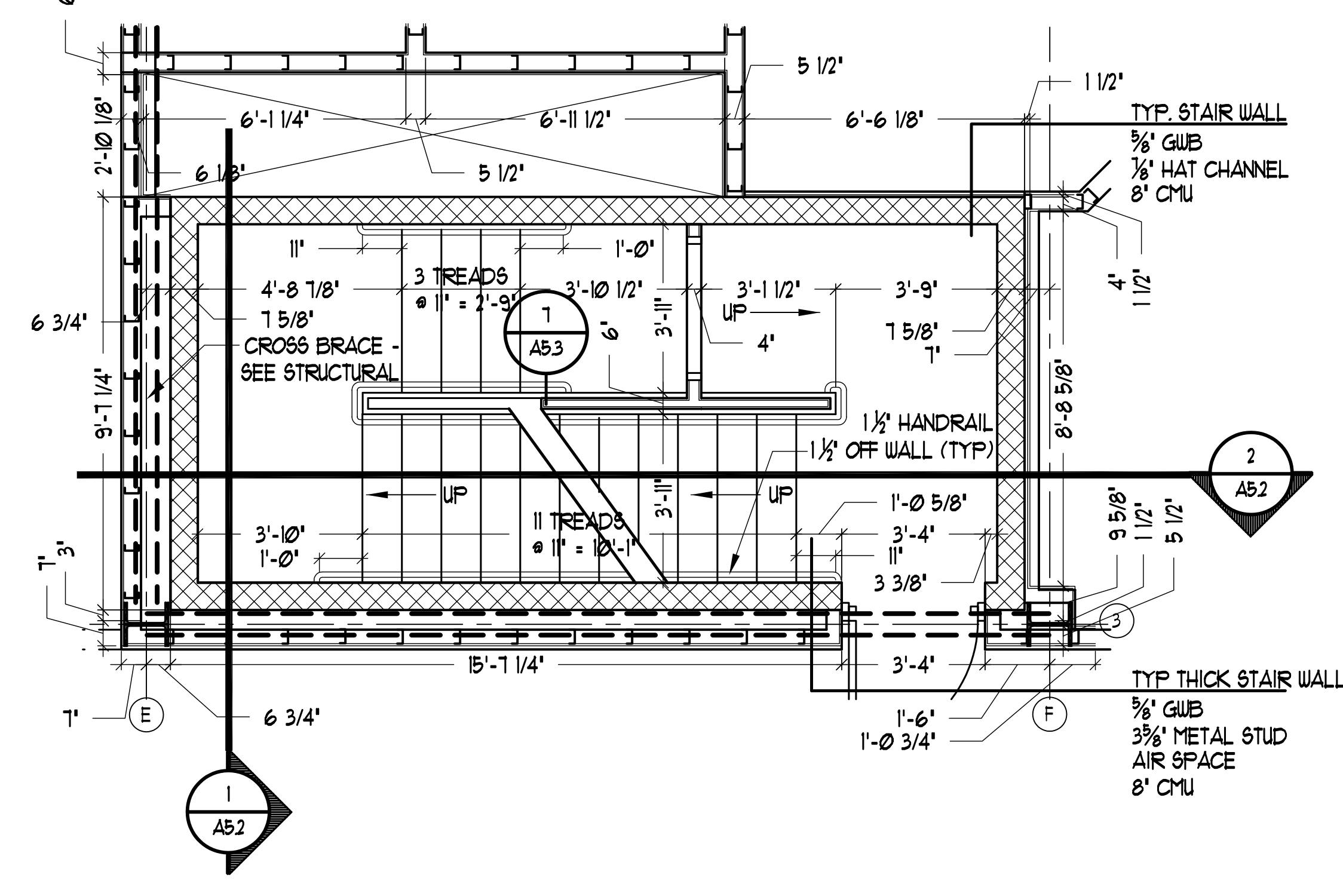
3 STAIR A - SECOND FLOOR
SCALE: 3/8" = 1'-0"



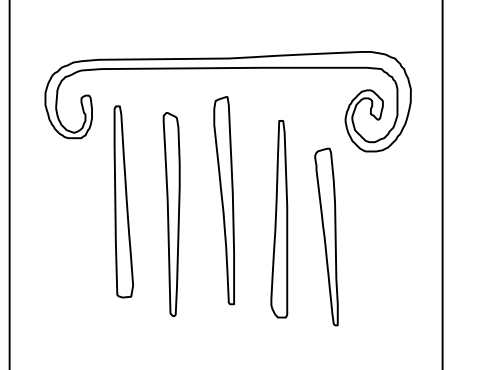
1 STAIR A - LOWER LEVEL
SCALE: 3/8" = 1'-0"



4 STAIR A - THIRD FLOOR
SCALE: 3/8" = 1'-0"



2 STAIR A - FIRST FLOOR
SCALE: 3/8" = 1'-0"



PORT CITY ARCHITECTURE

65 NEWBURY STREET
PORTLAND, ME 04101
207.761.9000
fax: 207.761.2010
lita@portcityarch.com

JACOBS CONSULTANCY
GPB Laboratory Planning Practice

VANZELM
PLANNERS & DESIGNERS
VANZELM HEYWOOD & SHADFORD, INC.

BECKER
Structural Engineers, Inc.

SYTDesign CONSULTANTS
CIVIL ENGINEERING & LANDSCAPE ARCHITECTURE

ALLIED/COOK
CONSTRUCTION

Favreau

Titan Mechanical
MECHANICAL CONTRACTORS

UNIVERSITY OF NEW ENGLAND

COLLEGE OF PHARMACY

716 STEVENS AVENUE, PORTLAND, ME

DATE	DESCRIPTION
	PERMIT SET
Date Issued	01/24/08
Project Number	06506

SHEET NAME
STAIR A PLANS

Drawn By
EAC / ANM

Checked By
LAS

A5.1

PERMIT SET - NOT FOR CONSTRUCTION

COPYRIGHT: Reuse or reproduction of the contents of this document is not permitted without written permission of PORT CITY ARCHITECTURE PA