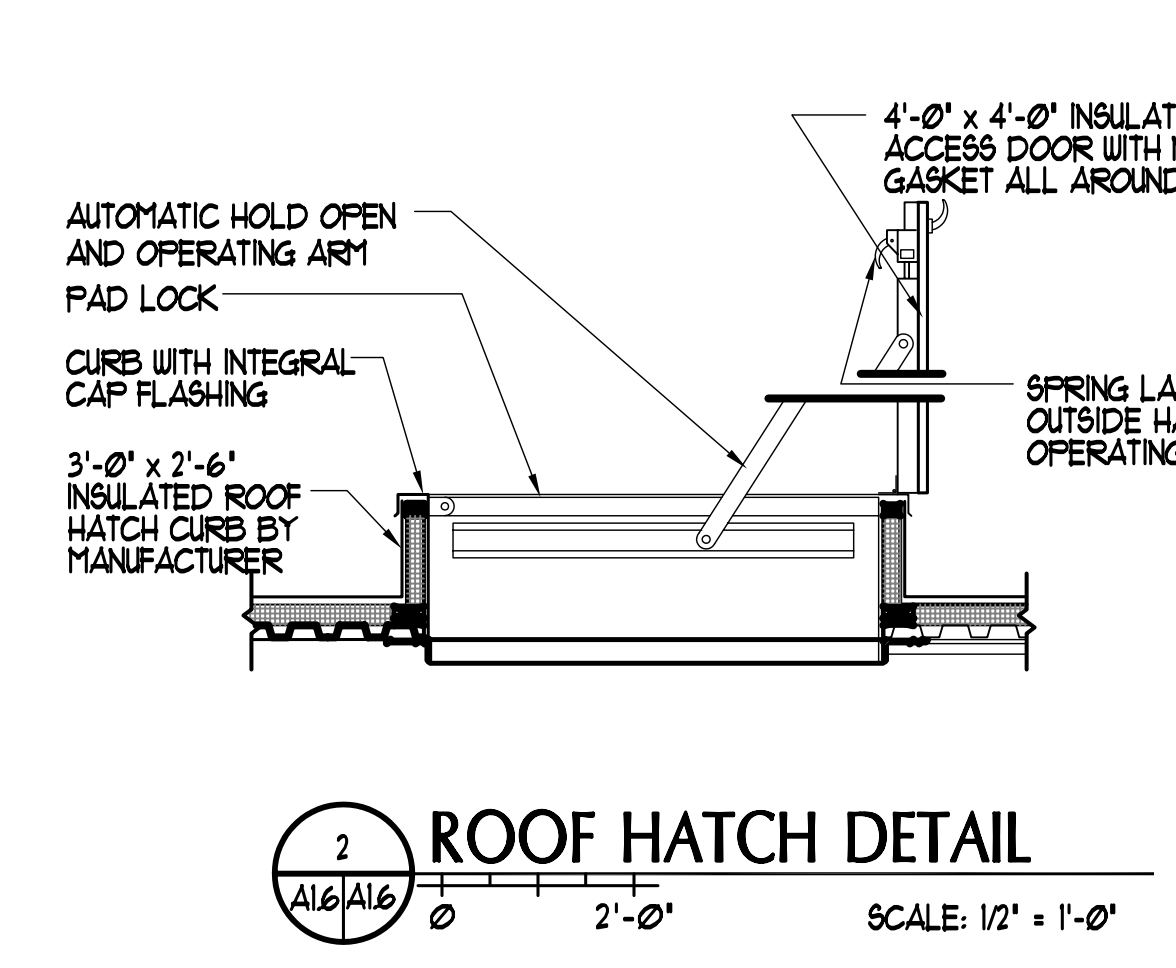
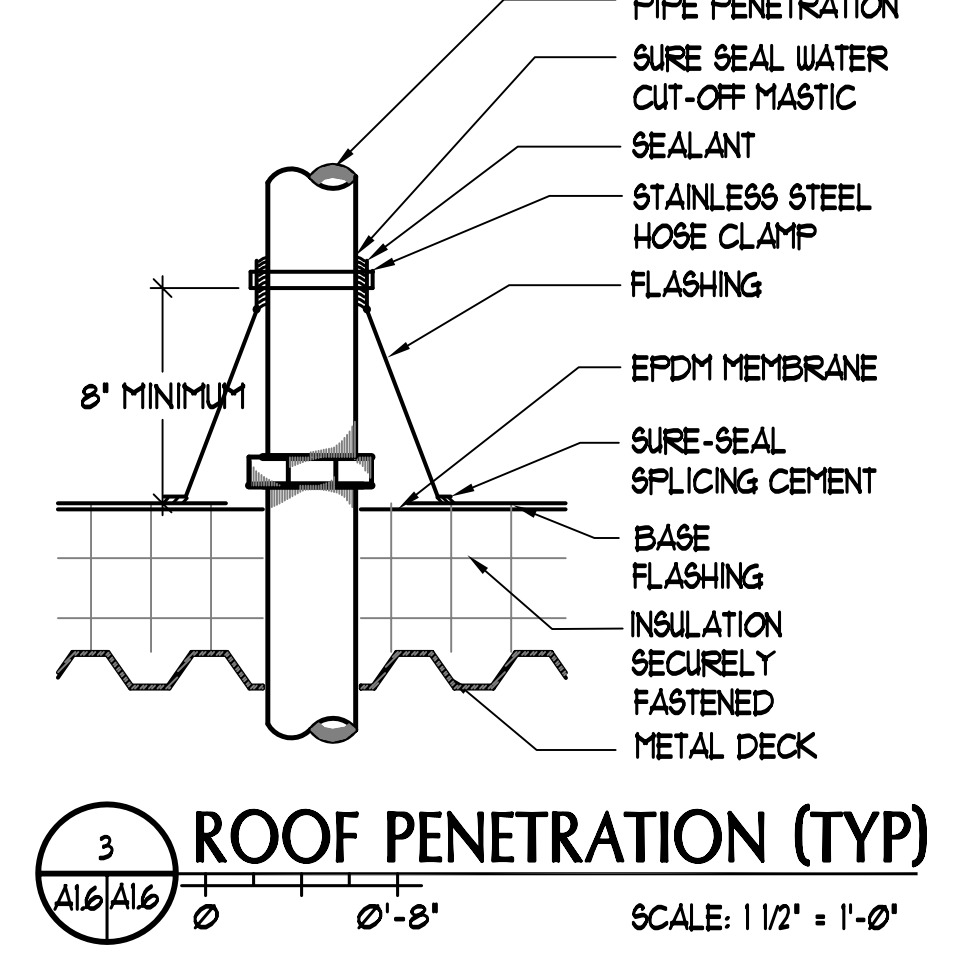
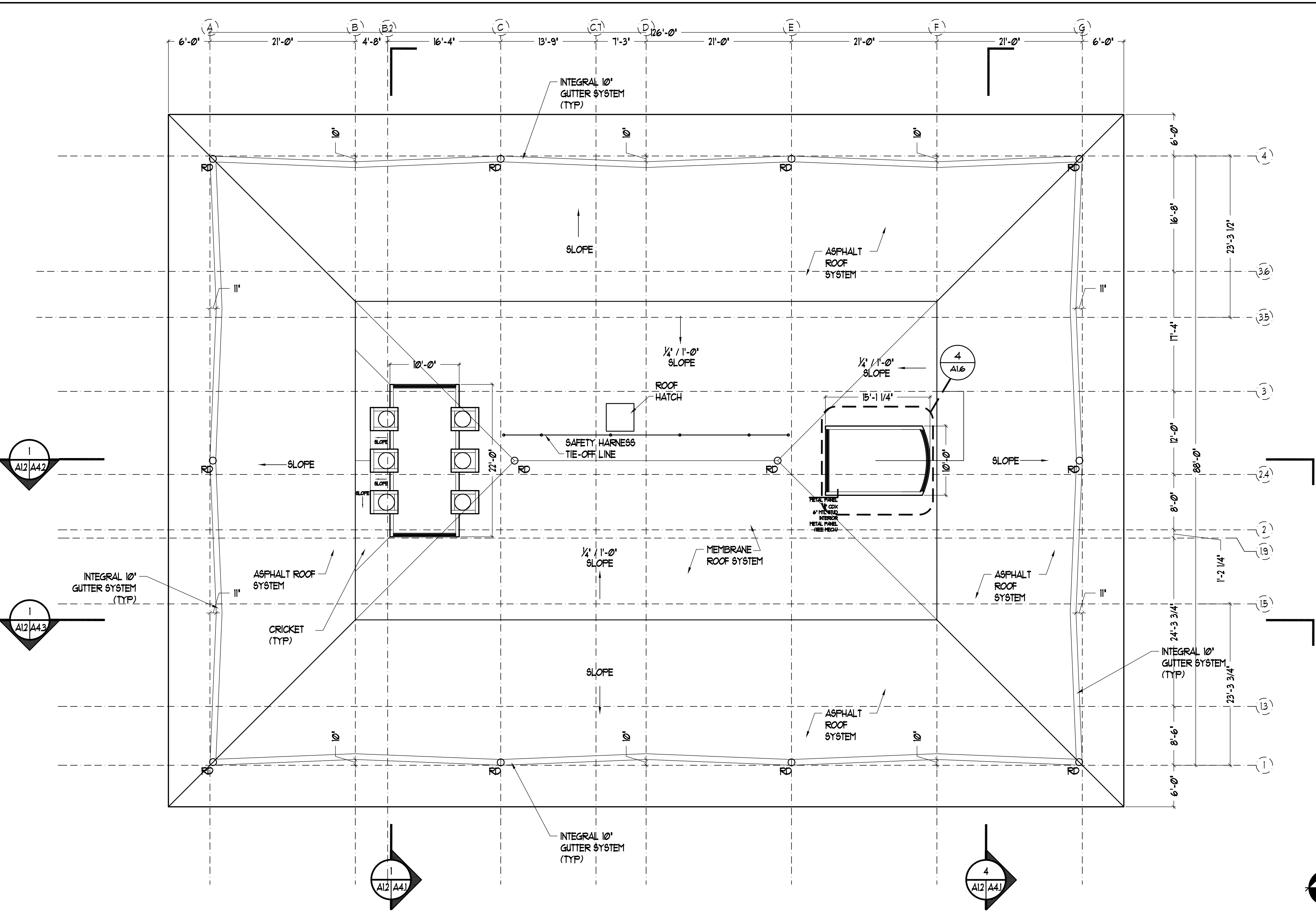
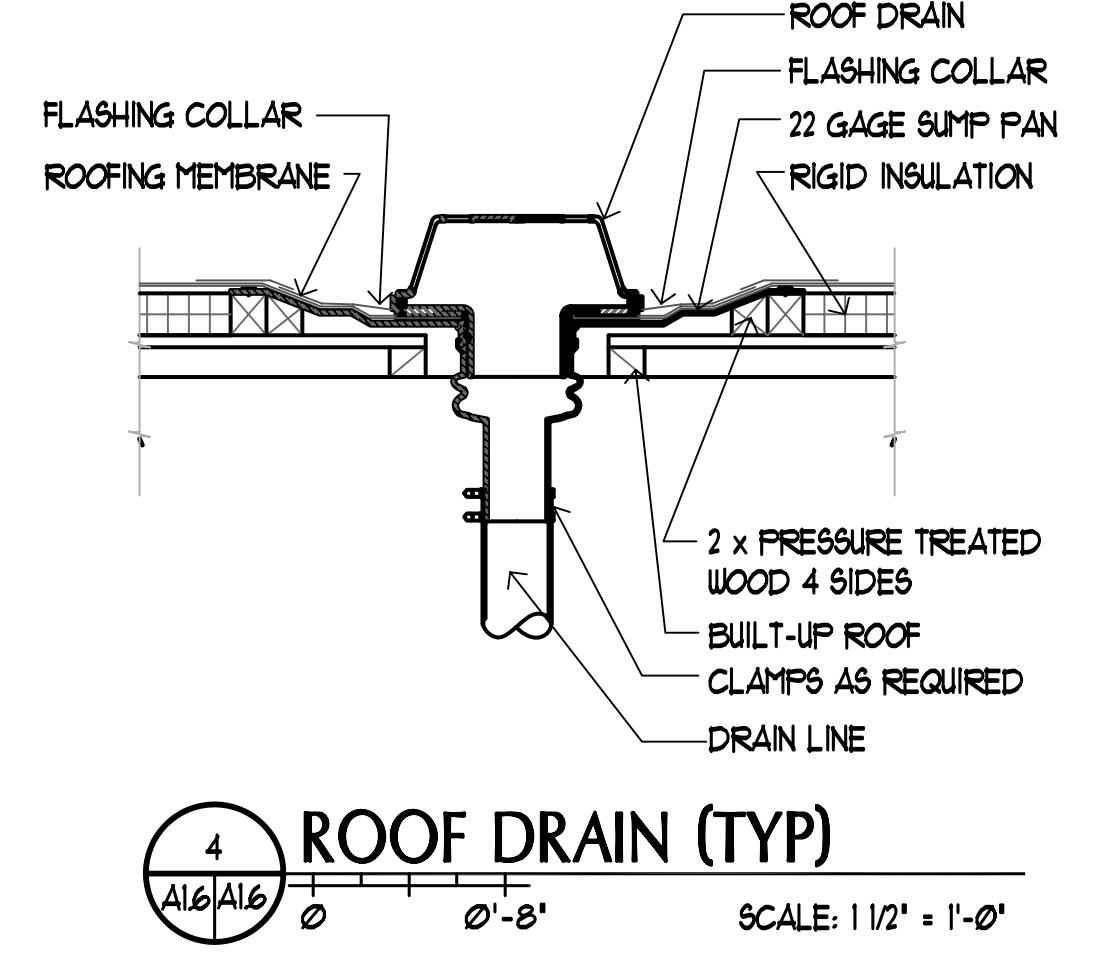
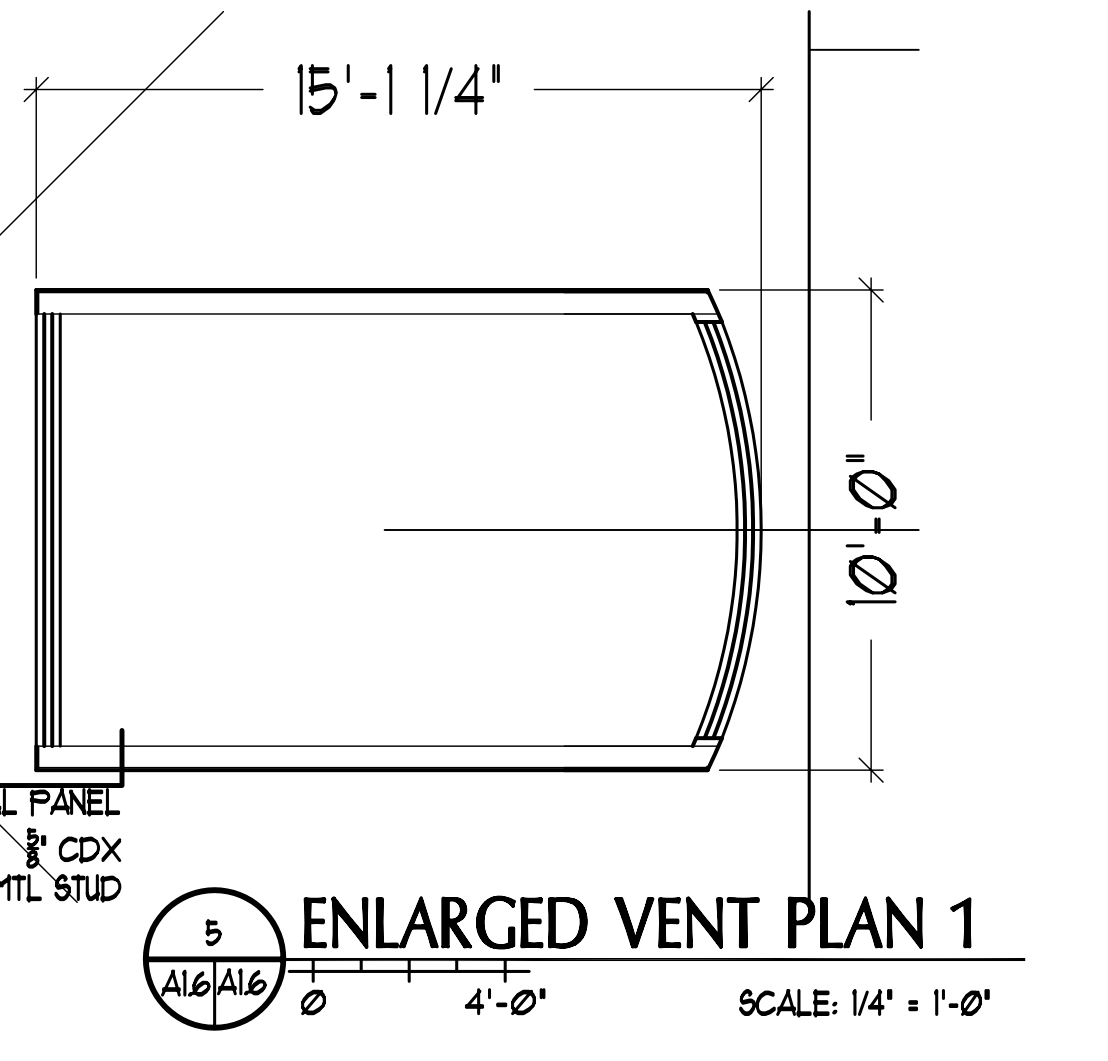
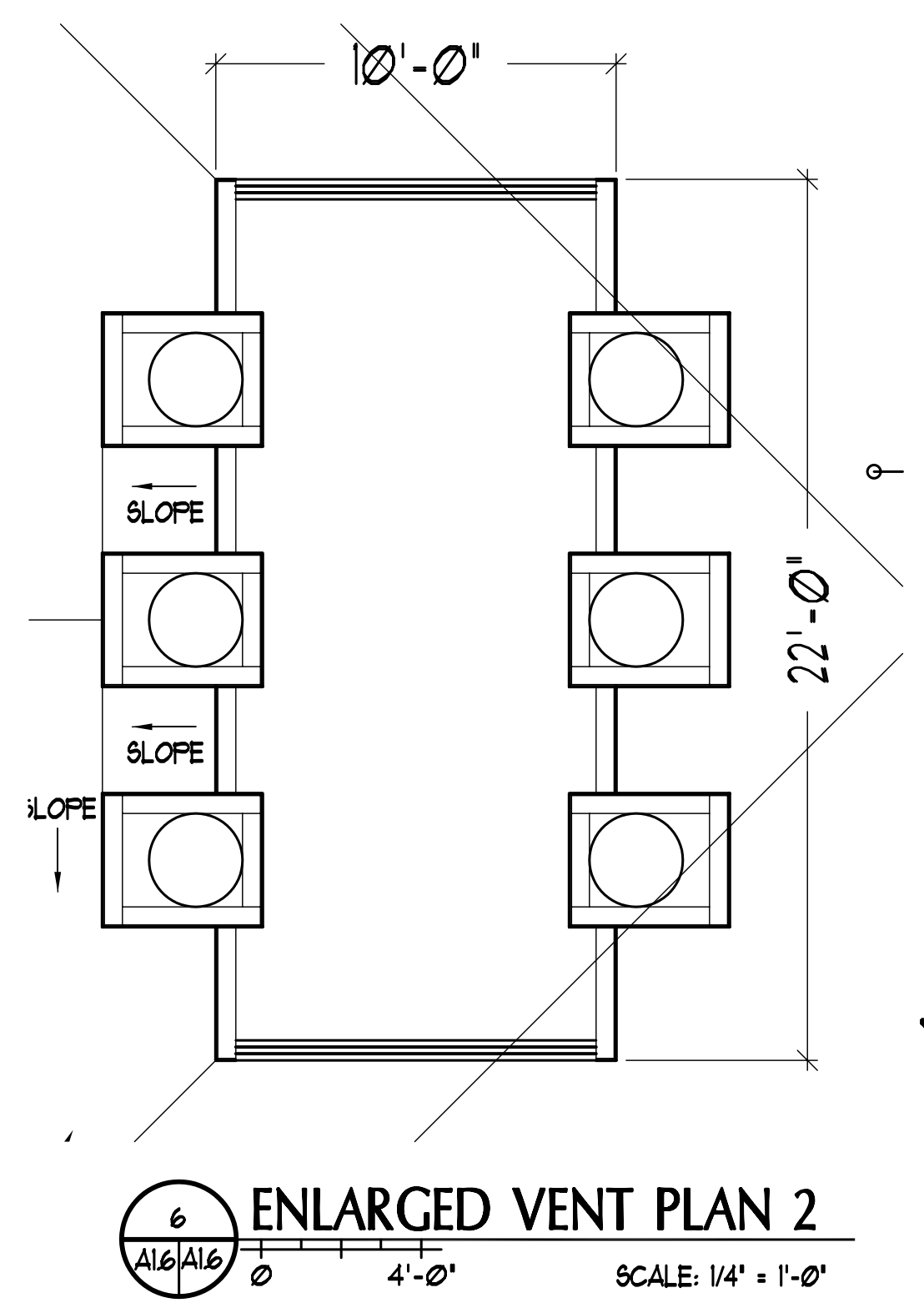
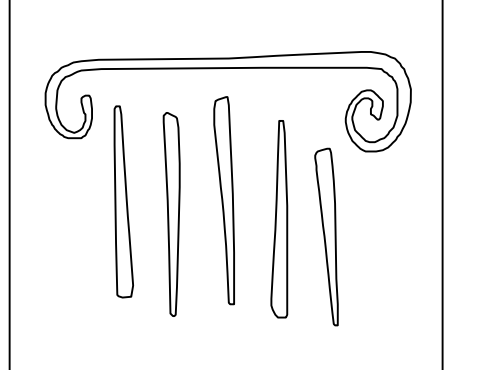


IF THIS SHEET IS NOT 24 X 36 IT IS A REDUCED SCALE PRINT - SCALE ACCORDINGLY



1 ROOF PLAN
SCALE: 1/8" = 1'-0"



PORT CITY ARCHITECTURE

65 NEWBURY STREET
PORTLAND, ME 04101
207.761.9000
fax: 207.761.2010
lita@portcityarch.com

JACOBS CONSULTANCY
GPR Laboratory Planning Practice

VANZELM ENGINEERS
VANZELM HEYWOOD & SHADFORD, INC.

BECKER Structural Engineers, Inc.

SYTDesign CONSULTANTS
CIVIL ENGINEERING & LANDSCAPE ARCHITECTURE

ALLIED/COOK CONSTRUCTION

Favreau

Titan Mechanical

UNIVERSITY OF NEW ENGLAND
COLLEGE OF PHARMACY

716 STEVENS AVENUE, PORTLAND, ME

DATE	DESCRIPTION
	PERMIT SET
Date Issued	01/24/08
Project Number	06506

SHEET NAME
ROOF PLAN & DETAILS

Drawn By
EAC / ANM
Checked By
LAS

A1.6

PERMIT SET - NOT FOR CONSTRUCTION

COPYRIGHT: Reuse or reproduction of the contents of this document is not permitted without written permission of PORT CITY ARCHITECTURE PA