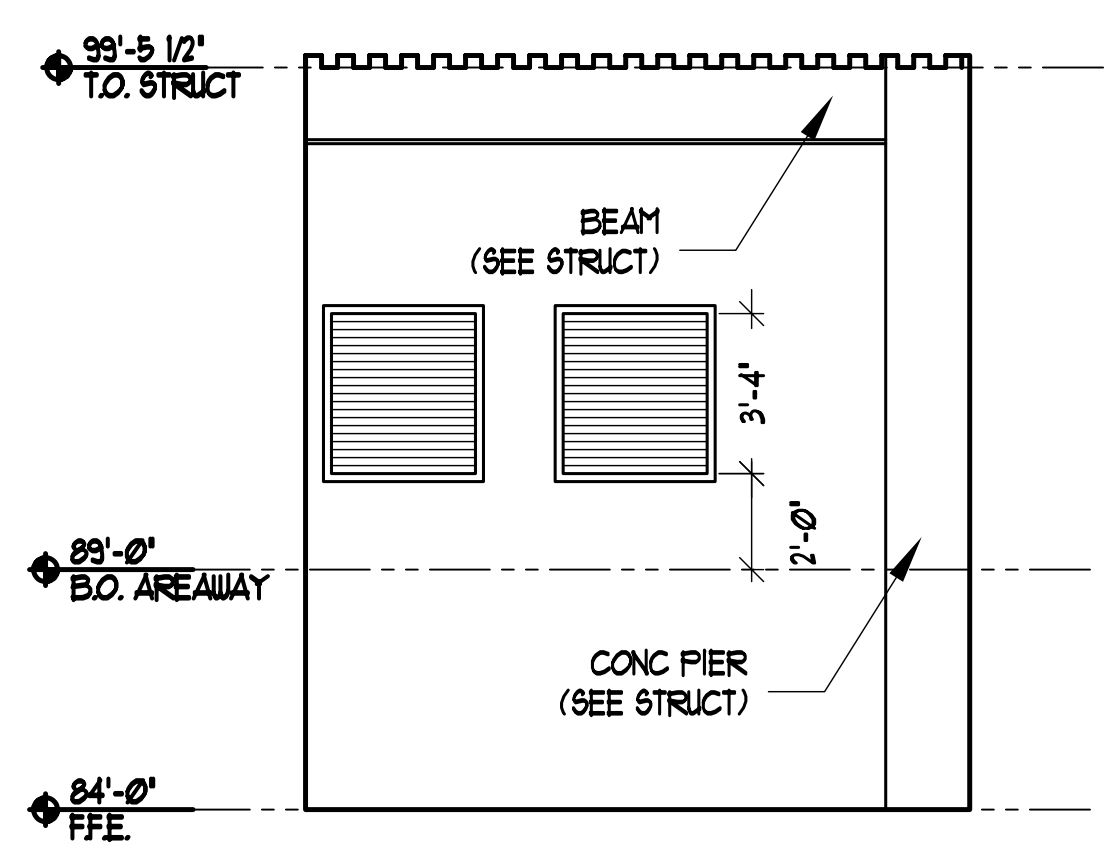
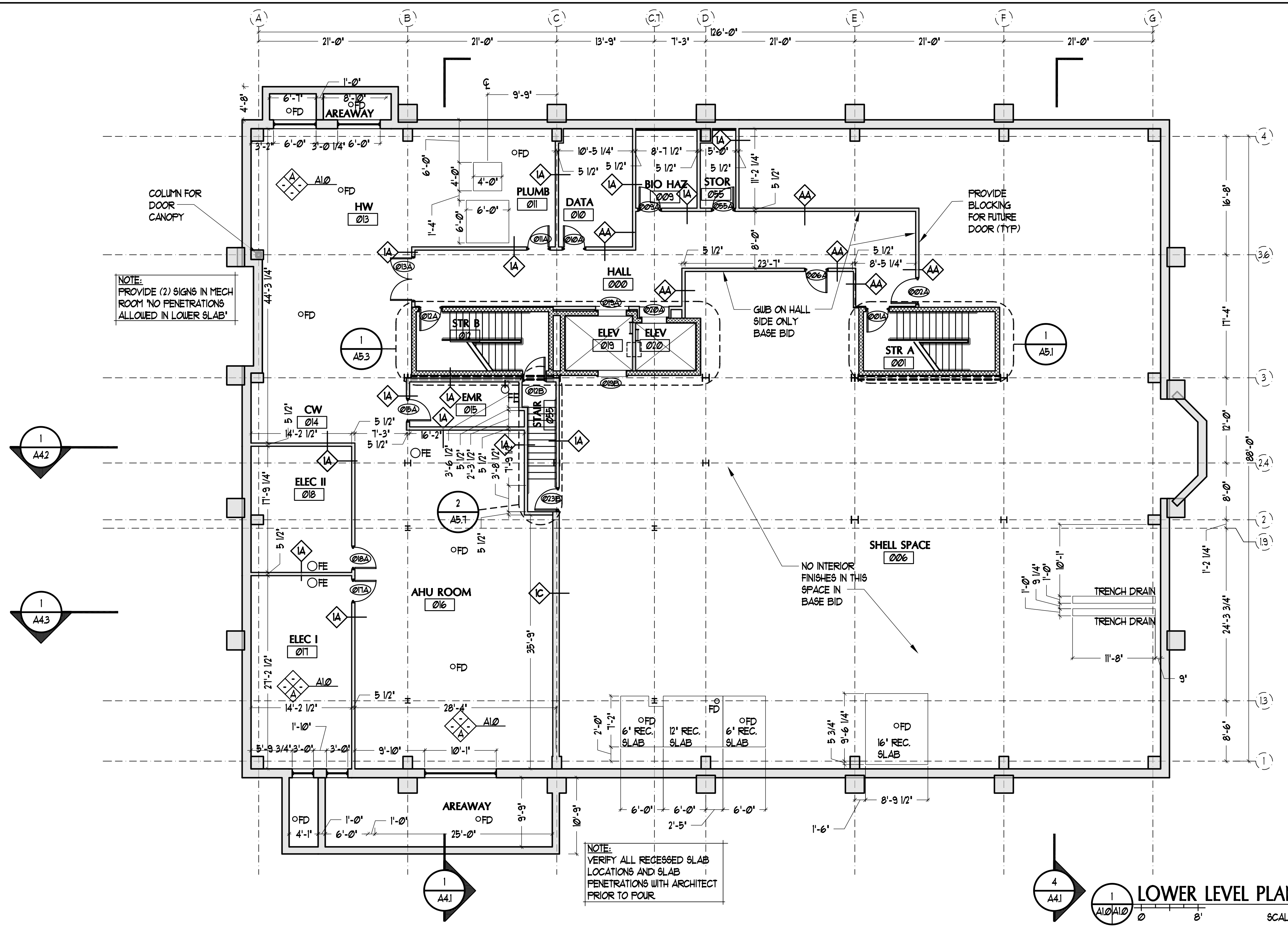
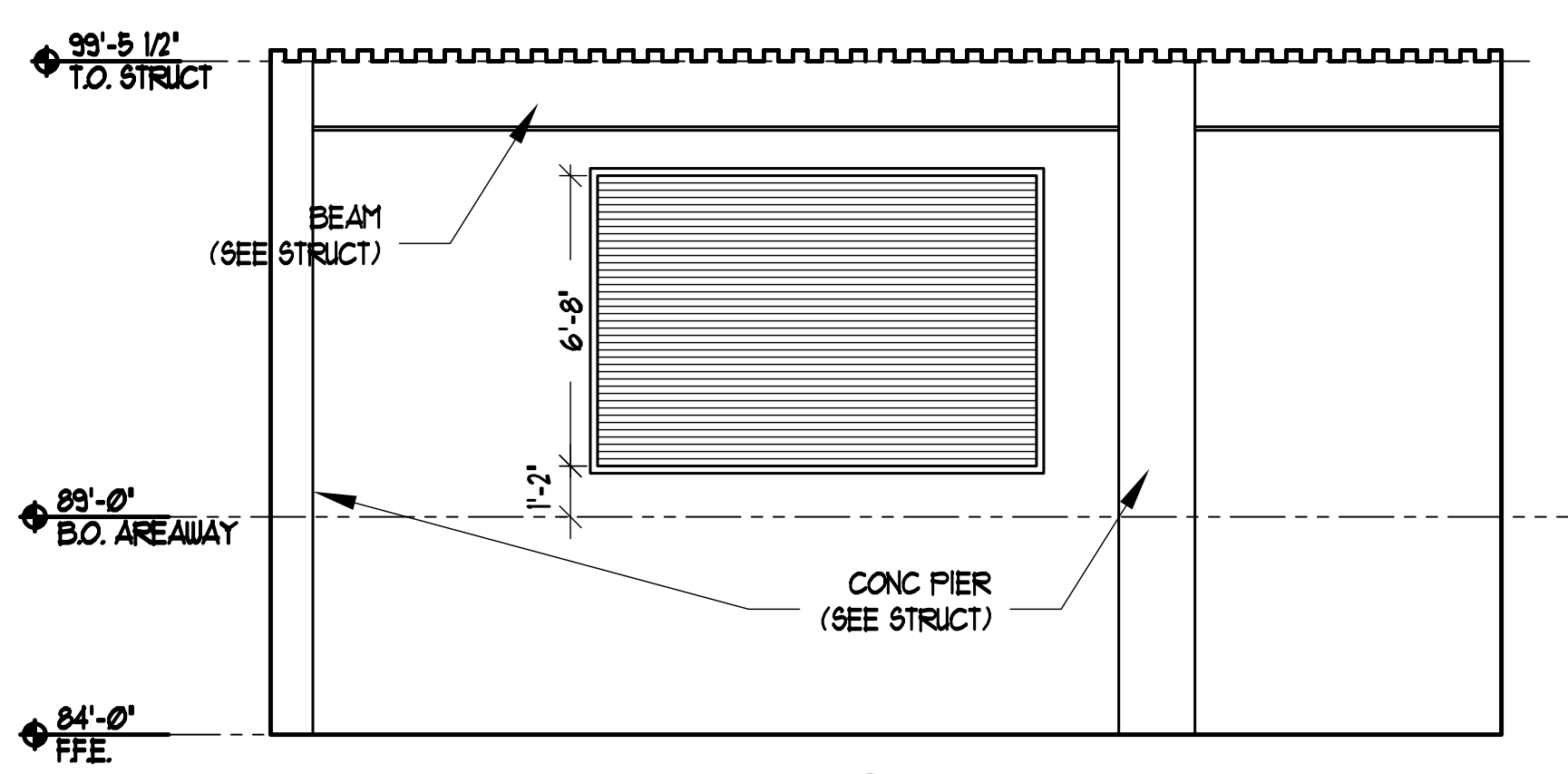


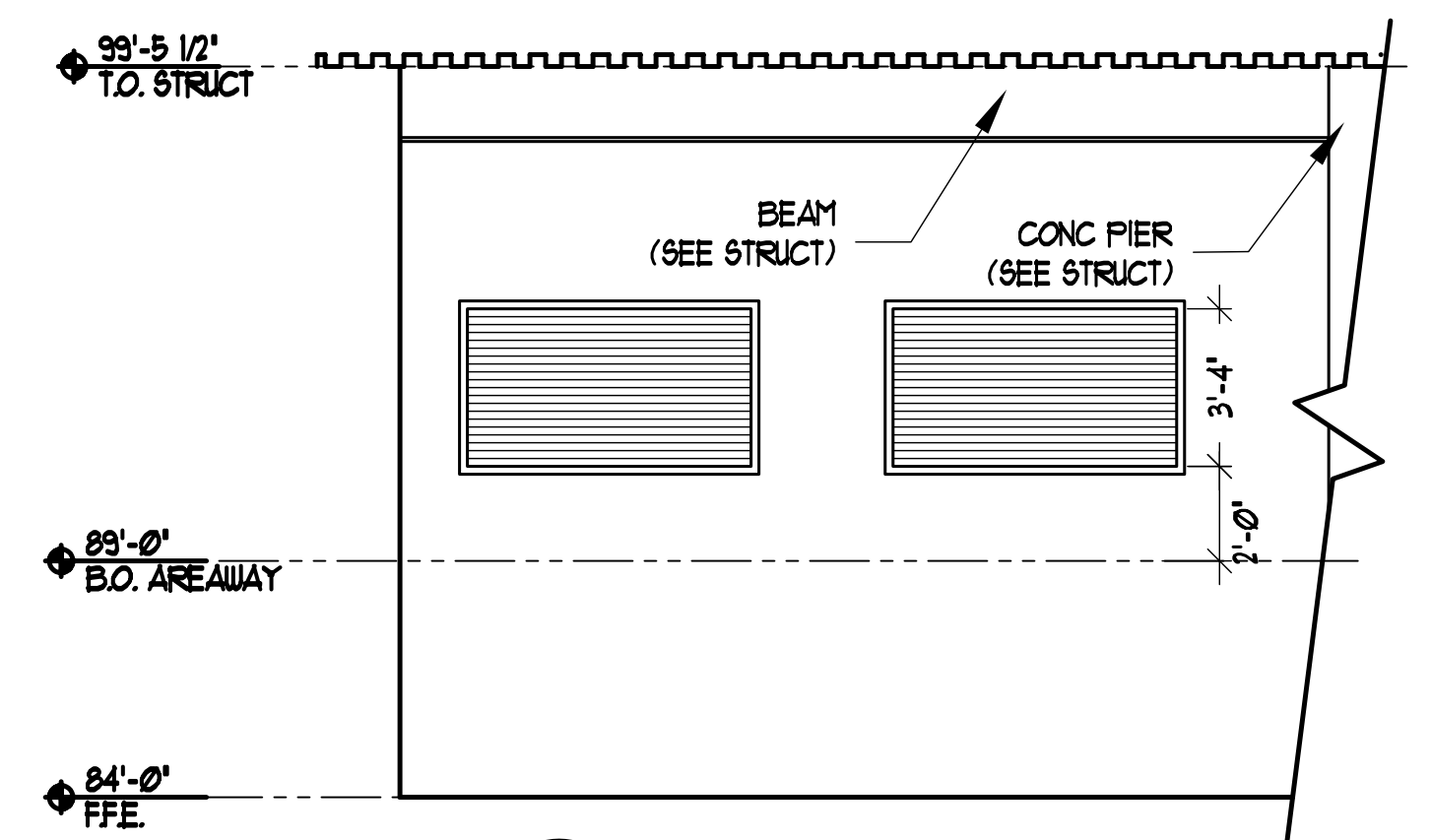
IF THIS SHEET IS NOT 24 X 36 IT IS A REDUCED SCALE PRINT - SCALE ACCORDINGLY



4 ELECTRICAL ROOM ELEVATION  
SCALE: 1/4" = 1'-0"

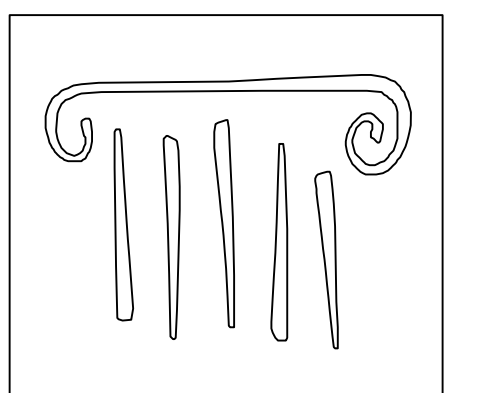


3 AHU ROOM ELEVATION  
SCALE: 1/4" = 1'-0"



2 HW ROOM ELEVATION  
SCALE: 1/4" = 1'-0"

PERMIT SET - NOT FOR CONSTRUCTION



PORT CITY ARCHITECTURE

65 NEWBURY STREET  
PORTLAND, ME 04101  
207.761.9000  
fax: 207.761.2010  
lita@portcityarch.com

JACOBS CONSULTANCY  
OPR Laboratory Planning Practice

VANZELM CONSULTANTS  
VANZELM HEYWOOD & SHADROFF, INC.

BECKER structural engineers, inc.

SYTDDesign CONSULTANTS  
CIVIL ENGINEERING & LANDSCAPE ARCHITECTURE

ALLIED/COOK CONSTRUCTION

Favreau

Titan Mechanical

UNIVERSITY OF NEW ENGLAND

COLLEGE OF PHARMACY

716 STEVENS AVENUE, PORTLAND, ME

DATE	DESCRIPTION
01/24/08	PERMIT SET
06/30/06	PROJECT NUMBER

SHEET NAME  
**LOWER LEVEL W/O VIVARIUM**

Drawn By  
EAC + ANM

Checked By  
LAS

A1.0