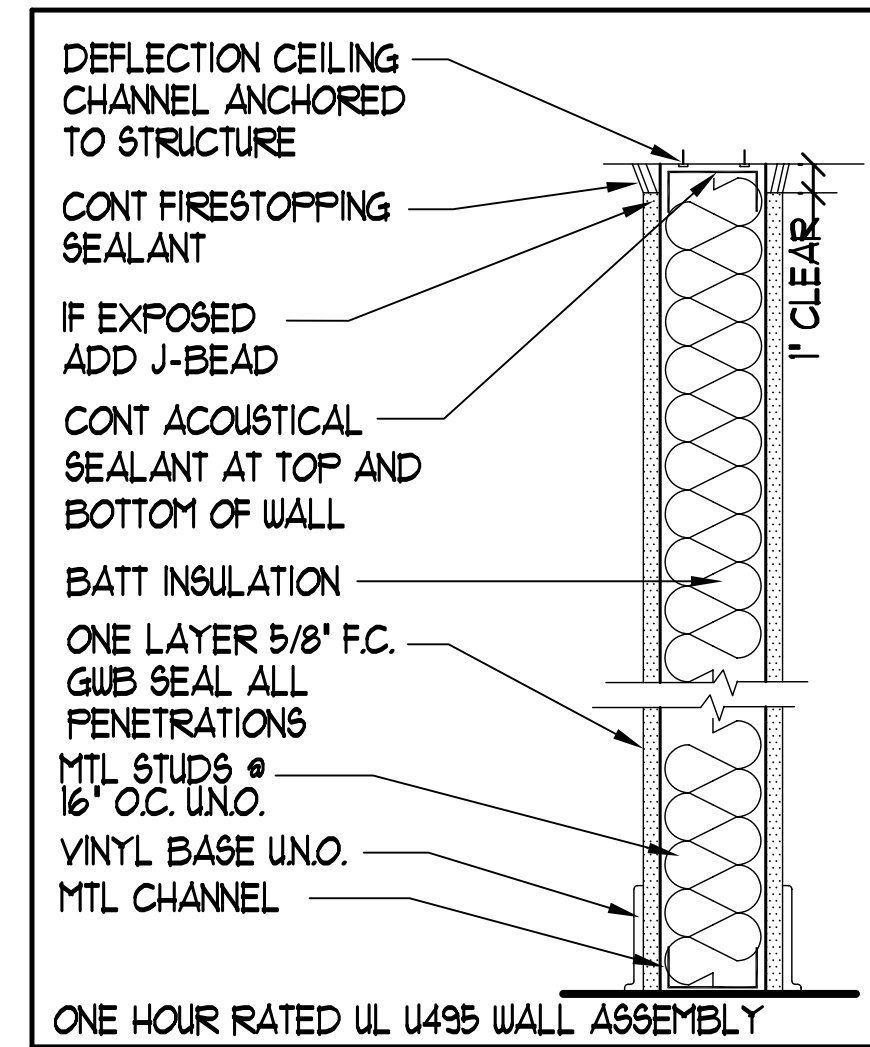
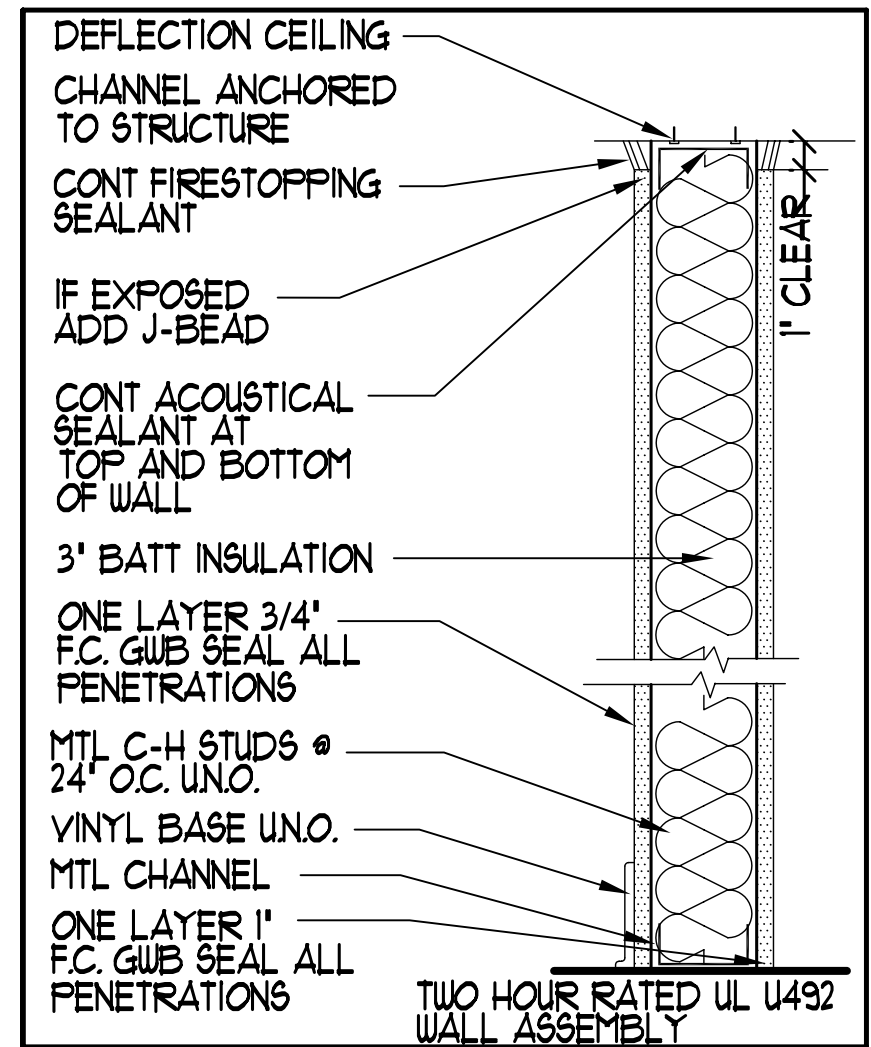


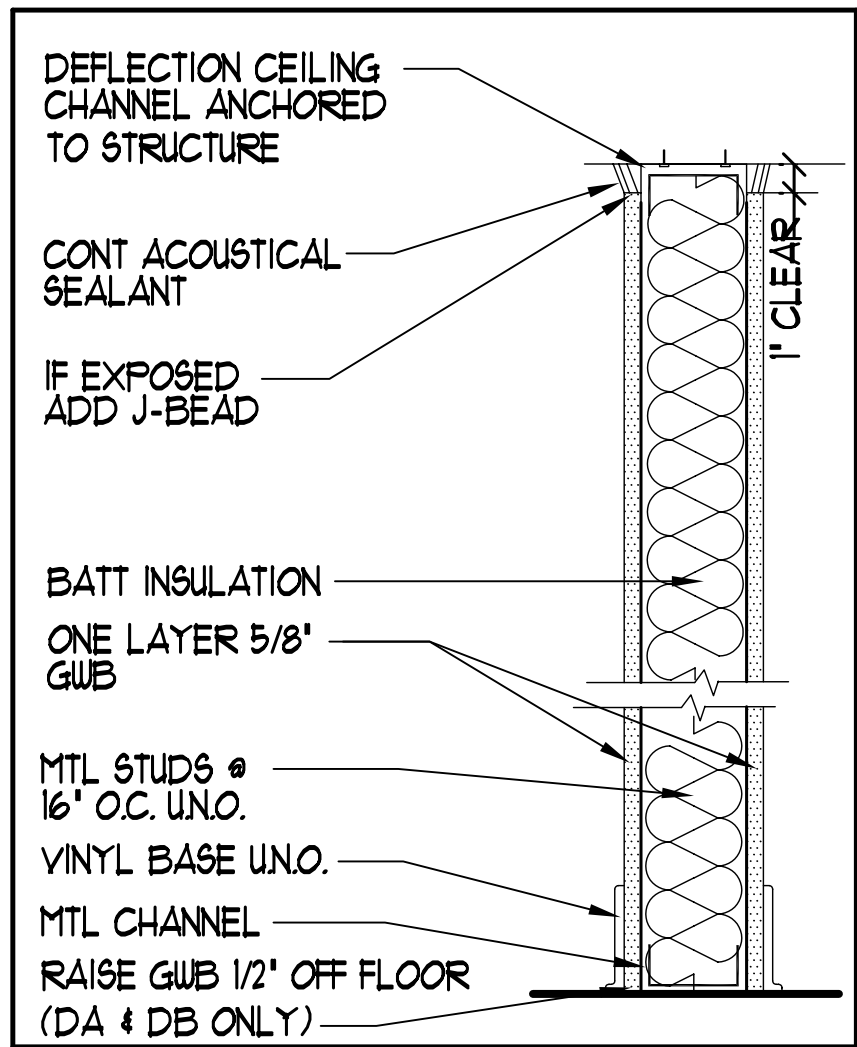
IF THIS SHEET IS NOT 24 X 36 IT IS A REDUCED SCALE PRINT - SCALE ACCORDINGLY



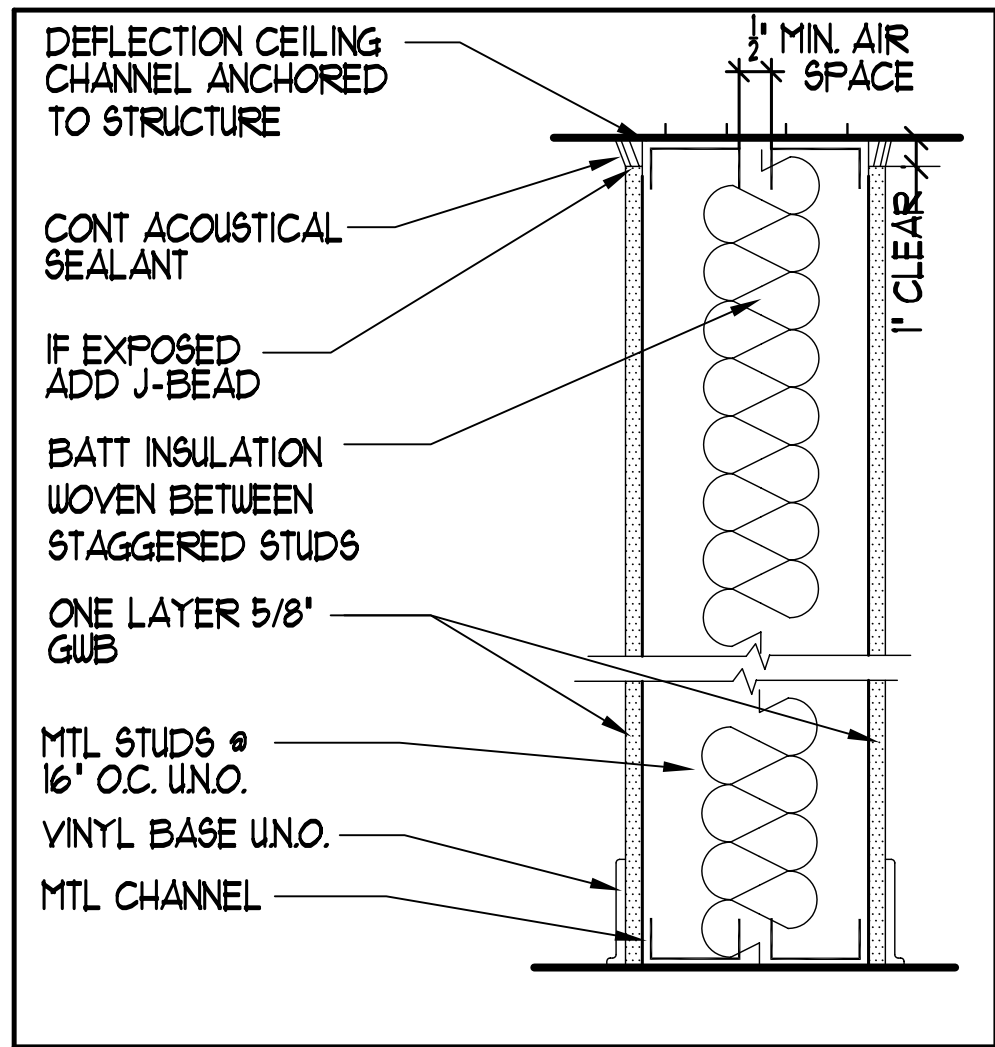
- 3 5/8" METAL STUD-FULL HGT
1 HOUR RATED UL U495 WALL ASSEMBLY 1A
- 6" METAL STUD-FULL HGT
1 HOUR RATED UL U495 WALL ASSEMBLY 1B



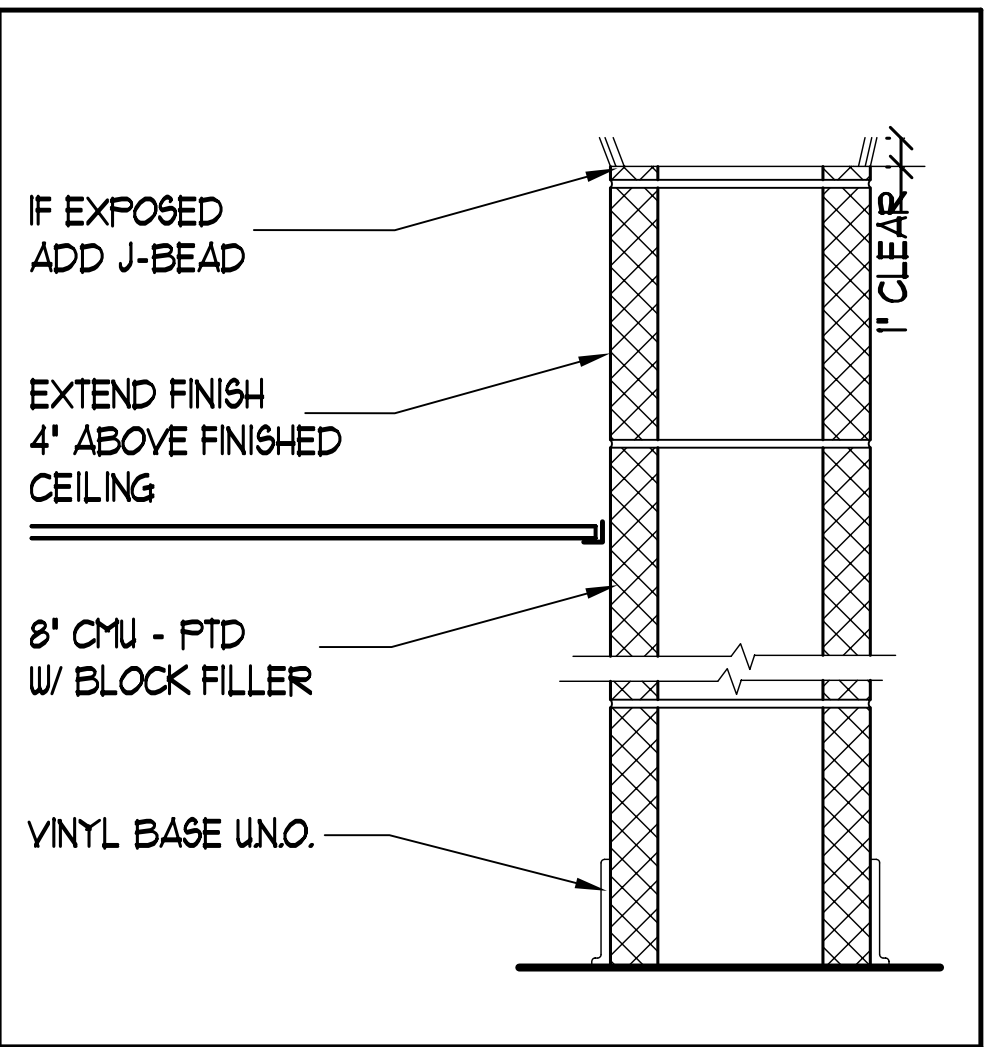
- 3 5/8" METAL STUD - FULL HEIGHT
2 HOUR RATED UL U492 WALL ASSEMBLY 2C



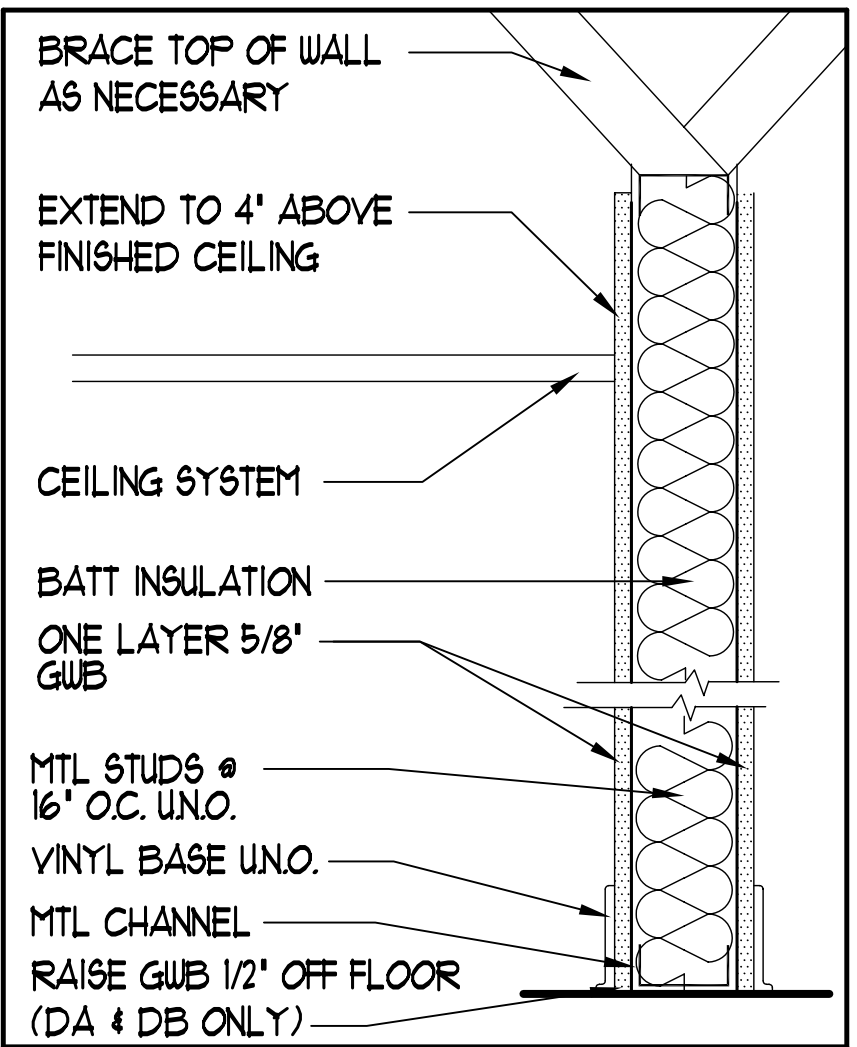
- 3 5/8" METAL STUD-FULL HGT
ACOUSTICAL WALL AA
- 6" METAL STUD-FULL HGT
ACOUSTICAL WALL AB
- 3 5/8" METAL STUD-FULL HGT
ACOUSTICAL WALL W/ WATER RESIST HIGH IMPACT GUB DA
- 6" METAL STUD-FULL HGT
ACOUSTICAL WALL W/ WATER RESIST HIGH IMPACT GUB DB



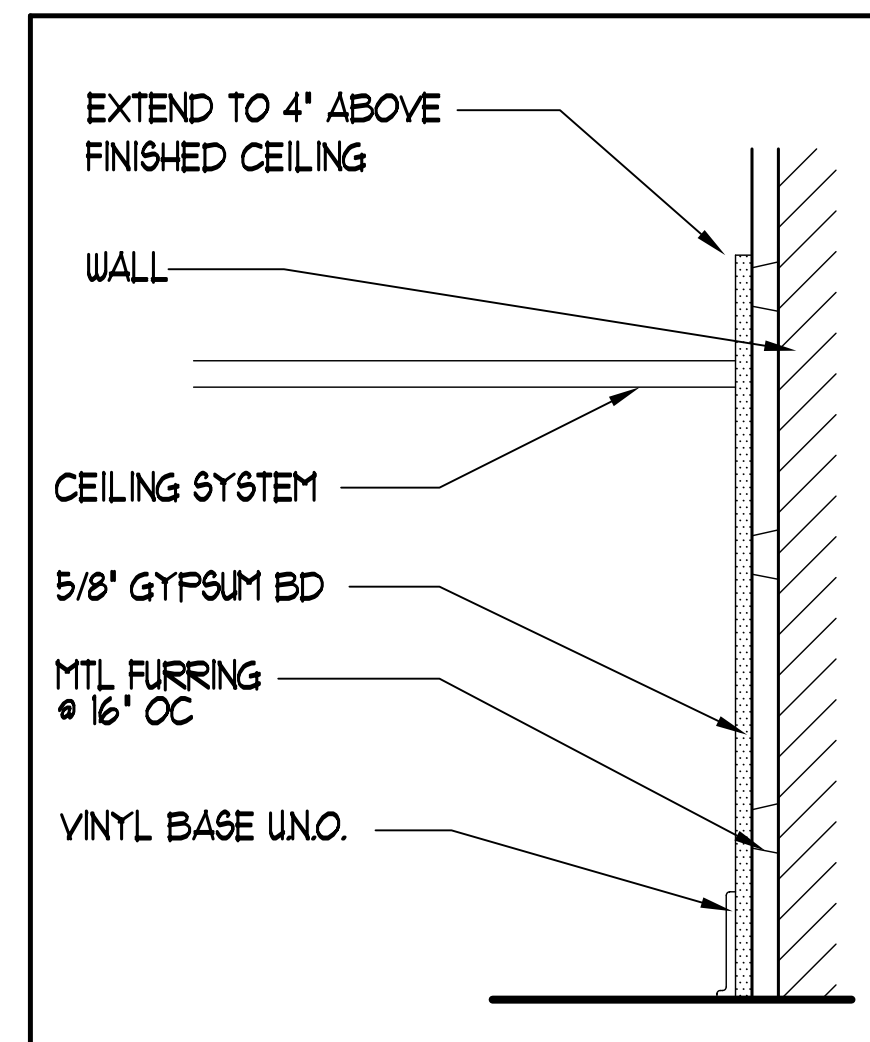
- 3 5/8" DOUBLE METAL STUD-FULL HGT
ACOUSTICAL WALL - SEE PLAN FOR THICKNESS BA



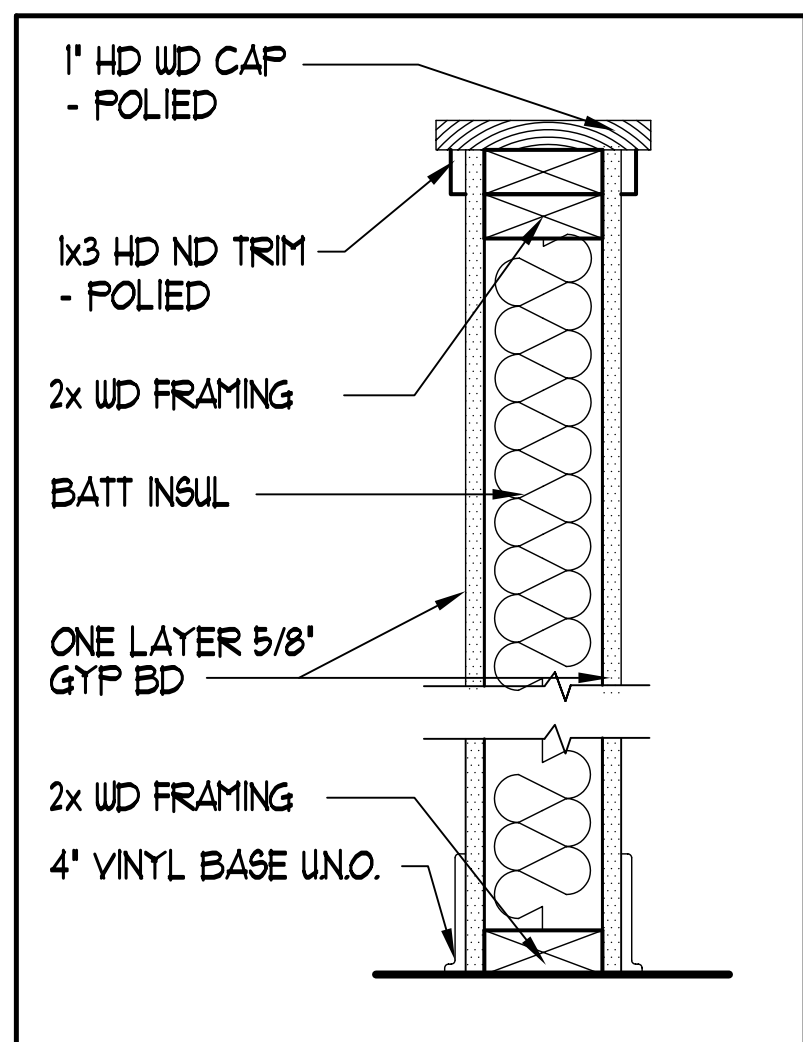
- 8" CMU WALL CA



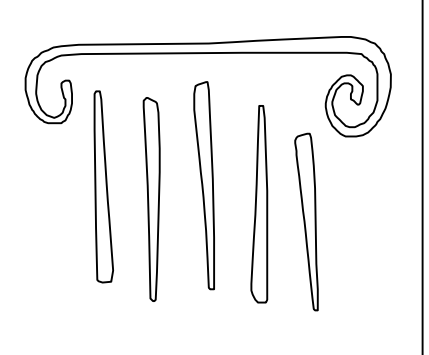
- 3 5/8" METAL STUD PARTITION WALL EA
- 6" METAL STUD PARTITION WALL EB
- 3 5/8" METAL PARTITION WALL
W/ WATER RESIST HIGH IMPACT GUB FA
- 6" METAL STUD PARTITION WALL
W/ WATER RESIST HIGH IMPACT GUB FB



- FURRED WALL W/ 1/8" MTL STUD NA
- 3 5/8" MTL STUD
- SEE PLAN FOR THICKNESS NB



- 2x4 STUD HALF WALL HW



PORT CITY ARCHITECTURE

65 NEWBURY STREET
PORTLAND, ME 04101
207.761.9000
fax: 207.761.2010
lita@portcityarch.com

JACOBS CONSULTANCY
GPB Laboratory Planning Practice

VANZELM ENGINEERS
VANZELM HEYWOOD & SHADFORD, INC.

BECKER structural engineers, inc.

SYTDesign CONSULTANTS
CIVIL ENGINEERING & LANDSCAPE ARCHITECTURE

ALLIED/COOK CONSTRUCTION

Favreau electric

Titan Mechanical Inc.
HVAC, PLUMBING, MECHANICAL CONTRACTORS

UNIVERSITY OF NEW ENGLAND

COLLEGE OF PHARMACY

716 STEVENS AVENUE, PORTLAND, ME

DATE	DESCRIPTION
	PERMIT SET
Date Issued	01/24/08
Project Number	06506
TITLE SHEET	
SHEET NAME	

WALL TYPES

Drawn By
EAC & ANM
Checked By
LAS

A0.0

PERMIT SET - NOT FOR CONSTRUCTION

COPYRIGHT: Reuse or reproduction of the contents of this document is not permitted without written permission of PORT CITY ARCHITECTURE PA