

**High Security Industrial/Government Key Box**



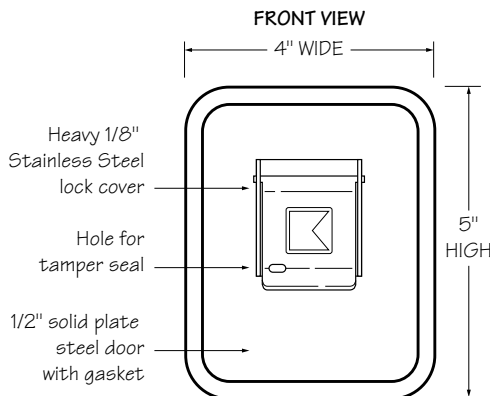
The number one high-security KNOX-BOX<sup>®</sup> is used for most commercial applications including businesses, schools, government and public buildings, community associations and apartment complexes. The 3200 Series KNOX-BOX with lift-off door holds keys, access cards and other small items necessary for emergency access.

**Features and Benefits**

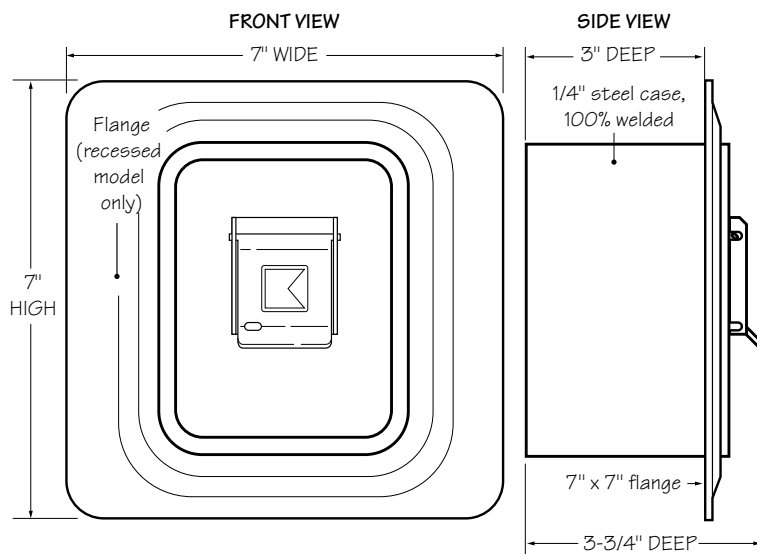
- Holds up to 10 keys and access cards in interior compartment
- Ensures high security. Box and lock are UL<sup>®</sup> Listed
- Includes a Knox-Coat<sup>®</sup> proprietary finishing process that protects Knox products up to four times better than standard powder coat
- Resists moist conditions with a weather resistant door gasket
- Colors:      Black, Dark Bronze or Aluminum  
Weight:      Surface mount - 8 lbs.  
                  Recessed mount - 9 lbs.

**Options**

- Alarm tamper switches (UL Listed)
- Recessed Mounting Kit (RMK) for recessed models only
- Inside switch for use on electrical doors, gates and other electrical equipment



**3200 Surface Mount**



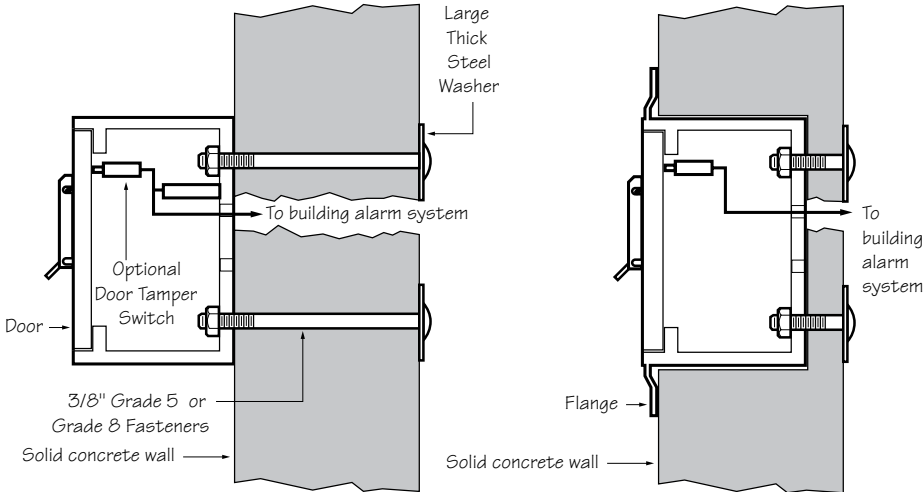
**3200 Recessed Mount**

**Ordering Specifications**

*To insure procurement and delivery of the 3200 Series KNOX-BOX, it is suggested that the following specification paragraph be used:*

**KNOX-BOX** surface/recessed mount with lift-off door, with/without UL Listed tamper switches. 1/4" plate steel housing, 1/2" thick steel door with interior gasket seal. Box and lock UL Listed. Lock has 1/8" thick stainless steel dust cover with tamper seal mounting capability.  
Exterior Dimensions: Surface mount body - 5"H x 4"W x 3-3/4"D  
                                  Recessed mount flange- 7"H x 7"W  
Lock:                       UL Listed. Double-action rotating tumblers and hardened steel pins accessed by a biased cut key.  
Finish:                   Knox-Coat<sup>®</sup> proprietary finishing process  
Colors:                  Black, Dark Bronze or Aluminum  
P/N:                       3200 Series KNOX-BOX (mfr's cat. ID)  
Mfr's Name:           **KNOX COMPANY**

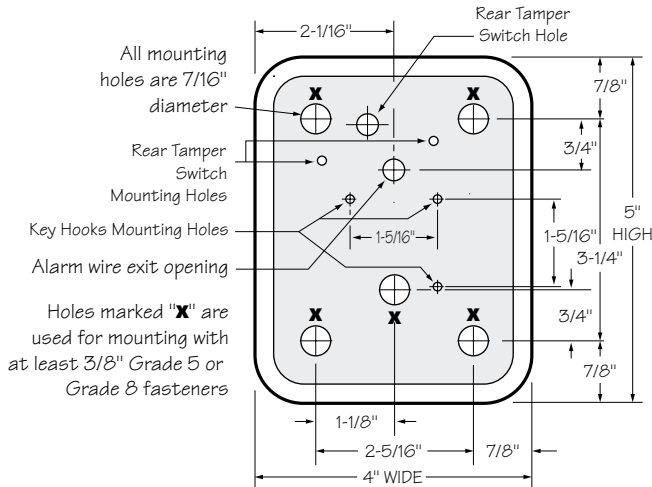
**Suggested minimum mounting height  
6 feet above ground**



**3200 Series Lift-off Door  
Surface Mount**

**3200 Series Lift-off Door  
Recessed Mount**

**Inside View**



**Attention: KNOX-BOX<sup>®</sup> is a very strong device that MUST be mounted properly to ensure maximum security and resist physical attack.**

**Knox<sup>®</sup> Rapid Entry System**

The Knox Company manufactures a complete line of high security products including Knox-Box key boxes, key vaults, cabinets, key switches, padlocks, locking FDC caps, plugs and electronic master key security systems. For more information or technical assistance, please call Customer Service at 1-800-552-5669.

**Recessed Mounting Kit**

The 3200 Recessed Mounting Kit (RMK) is used for recessed models only. It contains a shell housing and mounting hardware to be cast-in-place in new concrete or masonry construction. After construction is completed, the KNOX-BOX mounts inside the recessed shell housing. The RMK may only be used in new concrete or masonry construction.

**Installation In Cast Concrete**

The optional Recessed Mounting Kit is for use in new concrete or masonry construction only. The kit includes a shell housing and mounting hardware to be cast-in-place. The KNOX-BOX is mounted into the shell housing after construction is completed.

**Dimensions**

Rough-in Dimensions: 6-1/2"H x 6-1/2"W x 5"D

**IMPORTANT: Care should be taken to insure that the front of the RMK shell housing, including the cover plate and screw heads, is flush with the finish wall. The RMK must be plumbed to insure vertical alignment of the vault.**

**Recessed Mounting Using  
Recessed Mounting Kit (RMK)**

