

LEGEND:

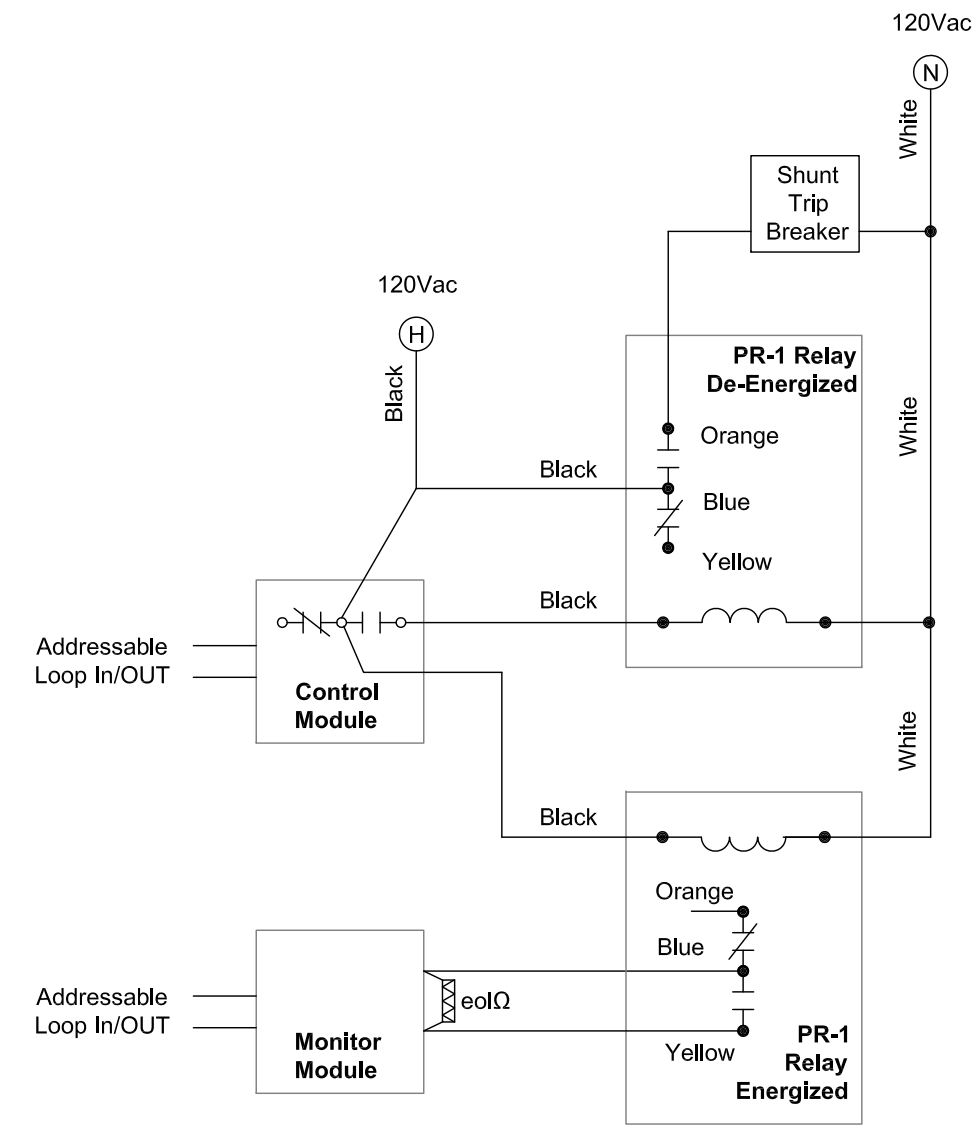
RISER DIAG SYM	NFPA SYMBOL*	DESCRIPTION	CATALOG #
FACP	FACP	Fire Alarm Control Panel (EXISTING)	iO500
BPS	FACU	Notification Power Extender (Fire Alarm Control Unit)	BPS10A
FAA	FAA	Fire Alarm Remote Annunciator	RLCD-C
F	P	Manual Pull Station	SIGA-278
Ⓜ _E	Ⓜ _E	Smoke Detector w/Base (E Denotes Elevator Recall Device)	SIGA2-PS SIGA-SB
Ⓜ _H	Ⓜ _H	Heat Detector w/Base (E Denotes Elevator Recall Device)	SIGA2-HFS SIGA-SB
Ⓜ _D	Ⓜ _D	Duct Smoke Detector w/Sampling Tube	SIGA-SD SD-Txx
RTS	RTS	Remote Alarm Indicator & Key Test Station	SD-TRK
CTx	Ⓜ _{OM}	Addressable Monitor Module (x Denotes Single or Dual Monitor)	SIGA-CT1,2
CR	Ⓜ _{OM}	Addressable Control Relay	SIGA-CR
CC1	Ⓜ _{OM}	Addressable Signal Module	SIGA-CC1
Ⓜ _{VM}	Ⓜ _{VM}	Wall Mount Strobe Unit (Adjustable Candela)	G1RF-VM
Ⓜ _{HDVM}	Ⓜ _{HDVM}	Wall Mount Horn/Strobe Unit (Adjustable Candela)	G1RF-HDVM
Ⓜ _{CE}	Ⓜ _{CE}	Ceiling Mount Horn/Strobe Unit (Adjustable Candela)	GCF-HDVM
B	B	Exterior Beacon	495S-1280R

GENERAL NOTES:

1. ALL WIRING IN ACCORDANCE WITH NATIONAL ELECTRICAL CODE, INTERNATIONAL BUILDING CODE (IBC), STATE OF MAINE, AND MANUFACTURER'S REQUIREMENTS & RECOMMENDATIONS.

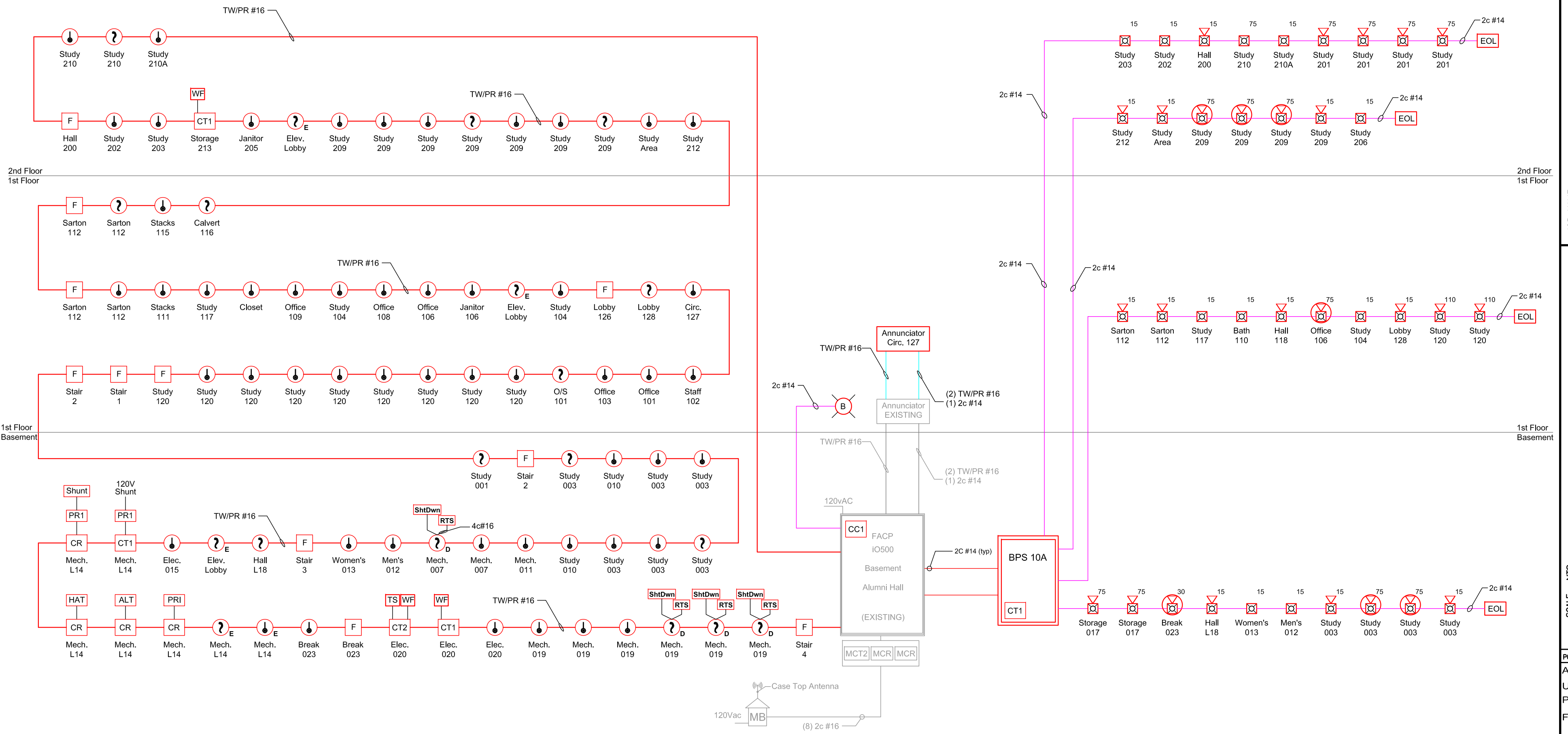
WIRING NOTES:

1. ALL ADDRESSABLE DEVICES MUST BE INSTALLED IN A HEATED LOCATION.
2. ADDRESSABLE CONTROL RELAYS (CR or MCR) SHALL SWITCH ONLY 12/24V (AC / DC) @ 2.0 Amps OR LESS. SWITCHED CIRCUITS REQUIRING HIGHER VOLTAGE SHALL USE AN INTERMEDIATE RELAY LISTED FOR THE PURPOSE.
3. Addressable Loop consists of: (1) 2c #16 Twisted Non-shielded from FACP to 1st device; (1) 2c #16 Twisted Non-shielded through remaining devices on circuit and return to FACP. Maintain proper separation between feeds and returns.
4. Strobe circuits consist of a minimum: 2c #14 from Booster Panel to 1st device; 2c #14 through remaining devices on circuit and end at end of line resistance. Maintain proper separation between feeds and returns.
5. Network Data consists of: (1) 2c #16 Twisted Non-shielded and 2c #14 (24Vdc) from Fire Alarm Control Panel to Annunciator and return (1) 2c #16 Twisted Non-shielded to FACP. Maintain proper separation between feeds and returns. Remote Annunciator shall be in a heated location.



* NFPA 170 (2009)
Tables: 6.5, 6.7.1, 6.7.2, & 6.7.3

Elevator Shunt Trip Connection Detail



JOB NAME:

REV.	DATE	DRWN:	TRD:
0	3/16	CLA	

SCALE: NTS

Original Issue

DESCRIPTION