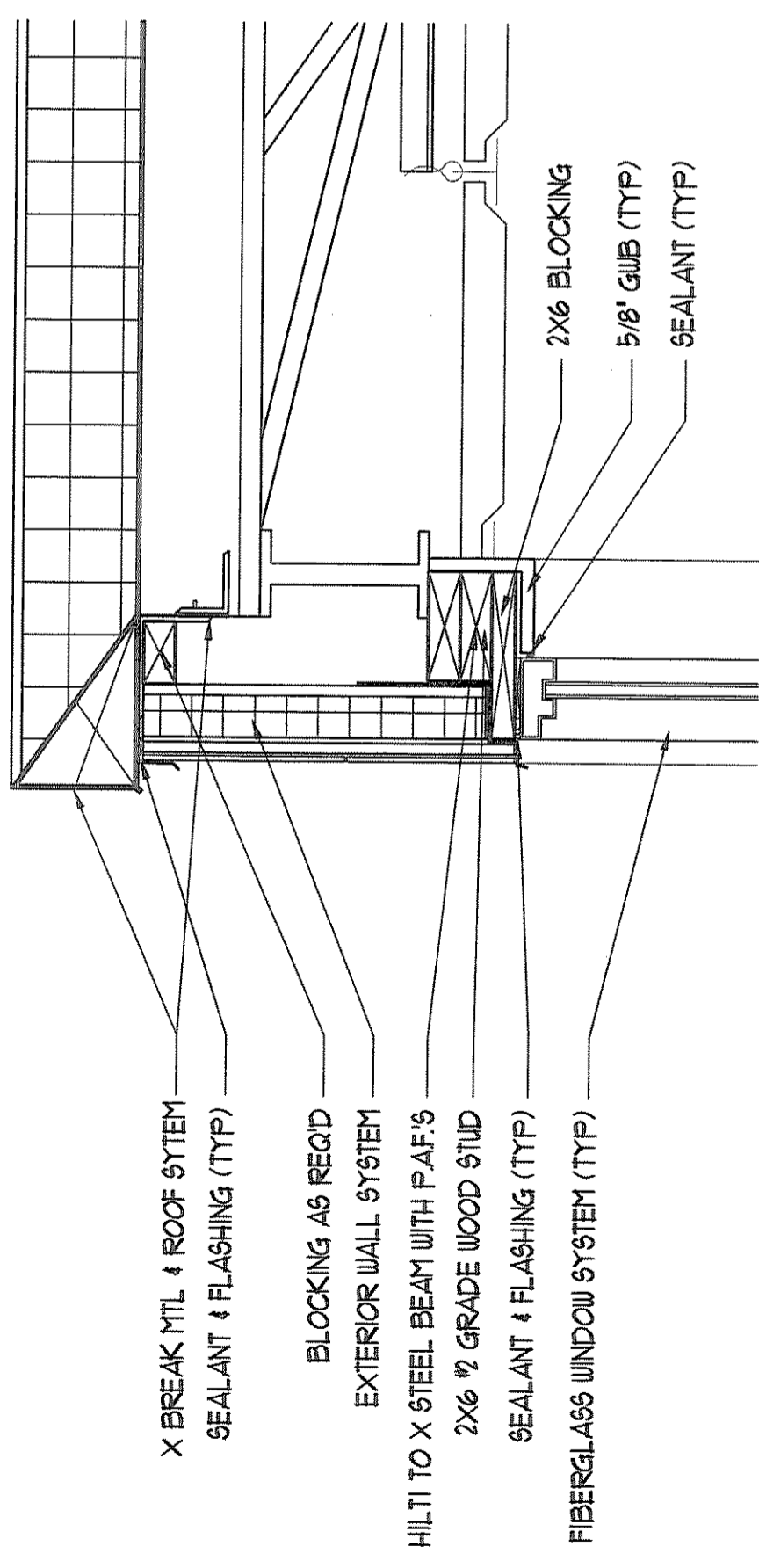
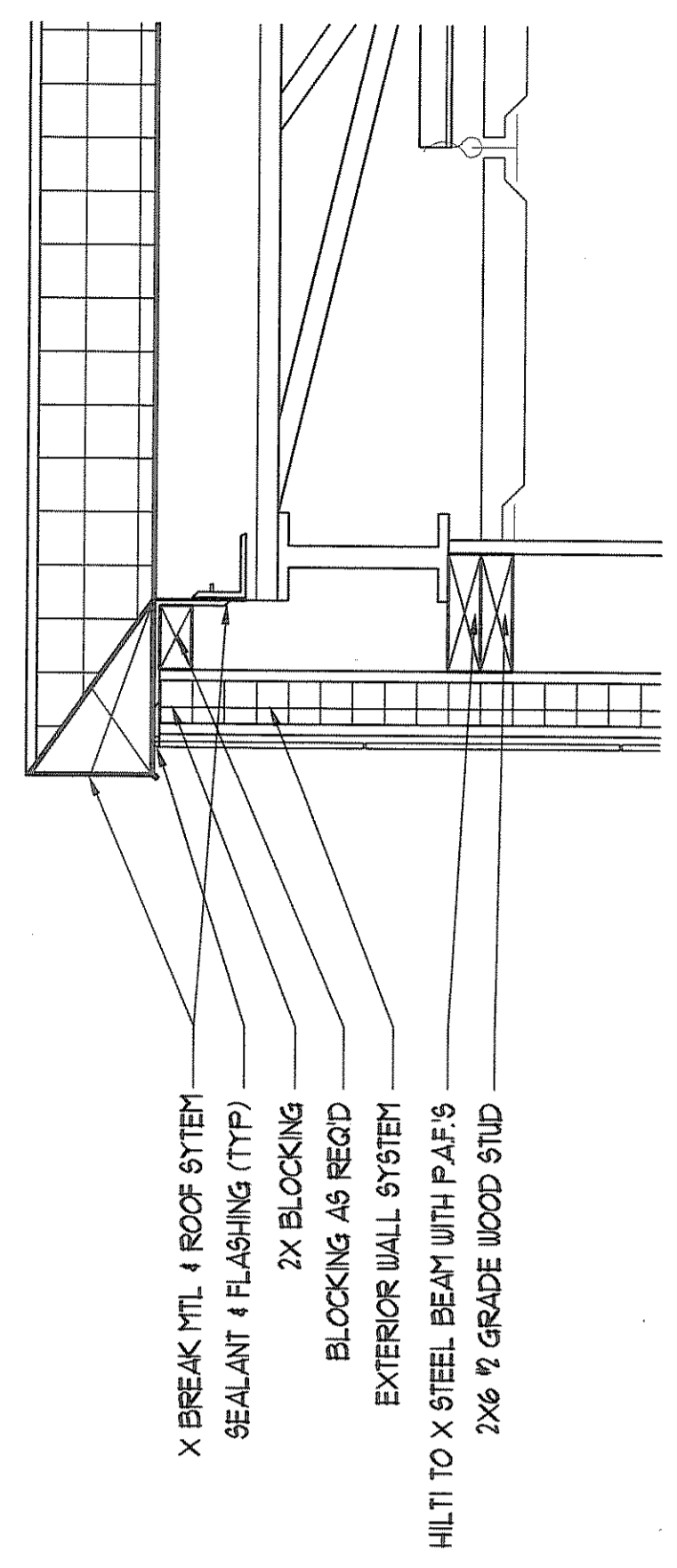


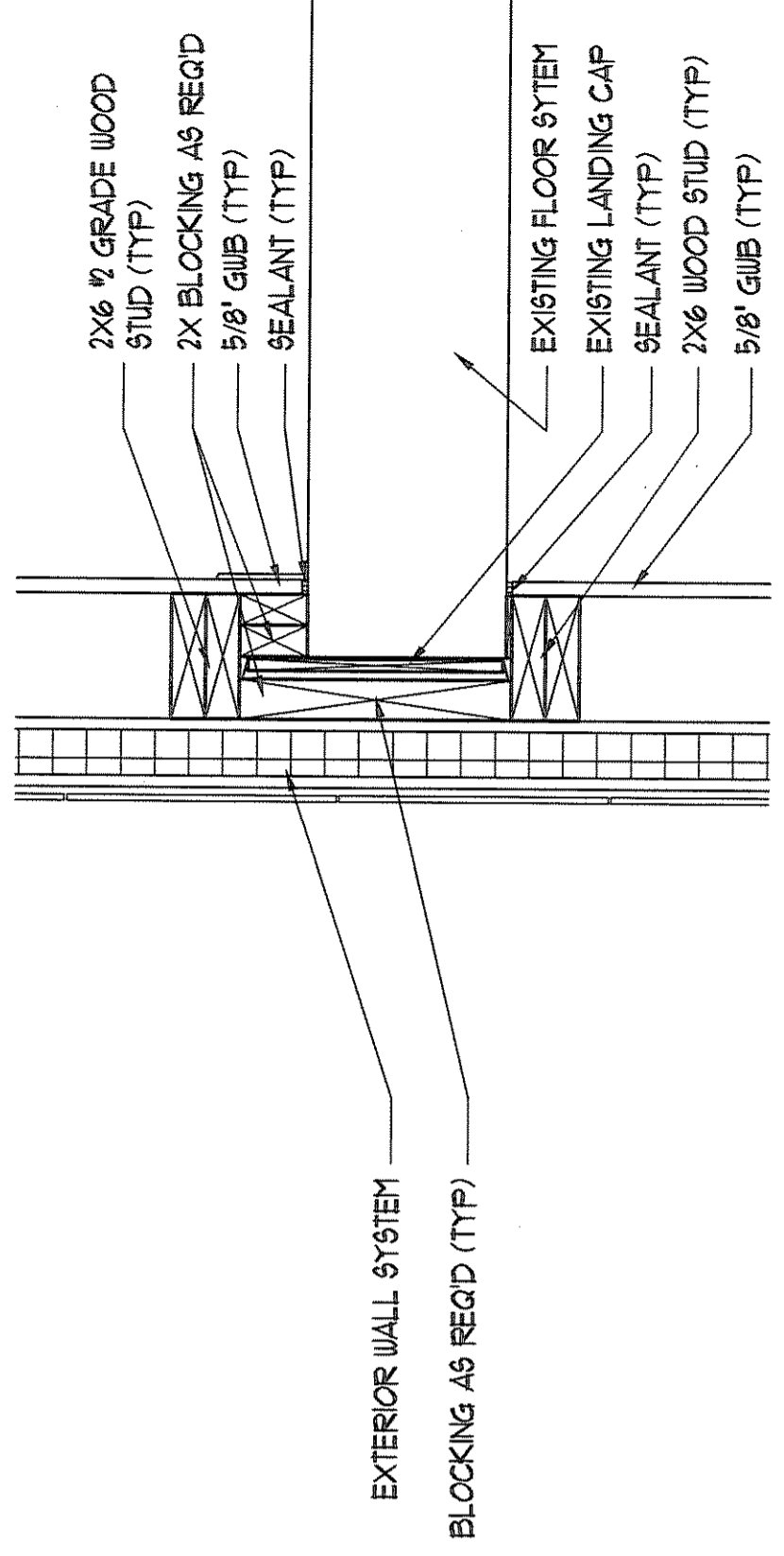
IF THIS SHEET IS NOT 24 X 36 IT IS A REDUCED SCALE PRINT - SCALE ACCORDINGLY



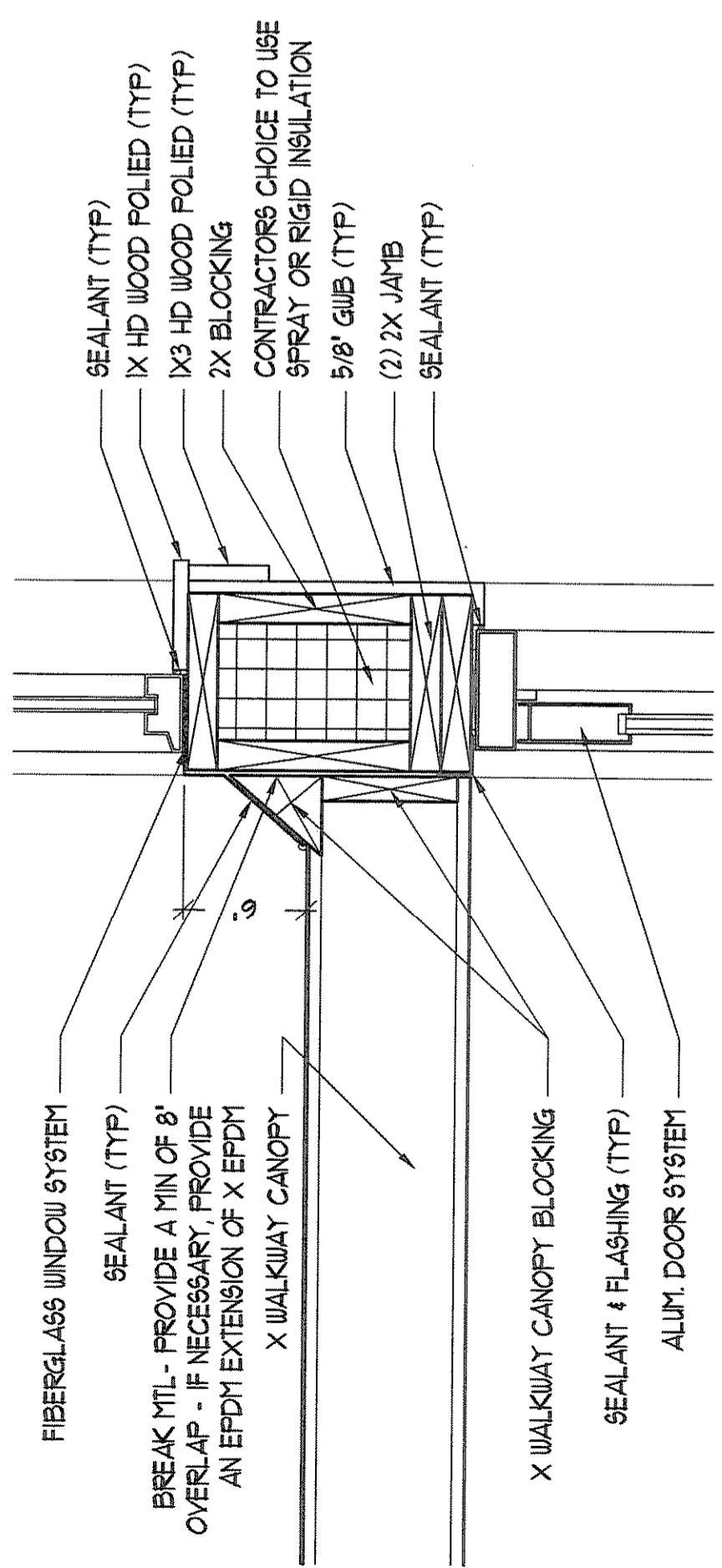
1 TOP OF WALL DETAIL  
SCALE: 1/2" = 1'-0"



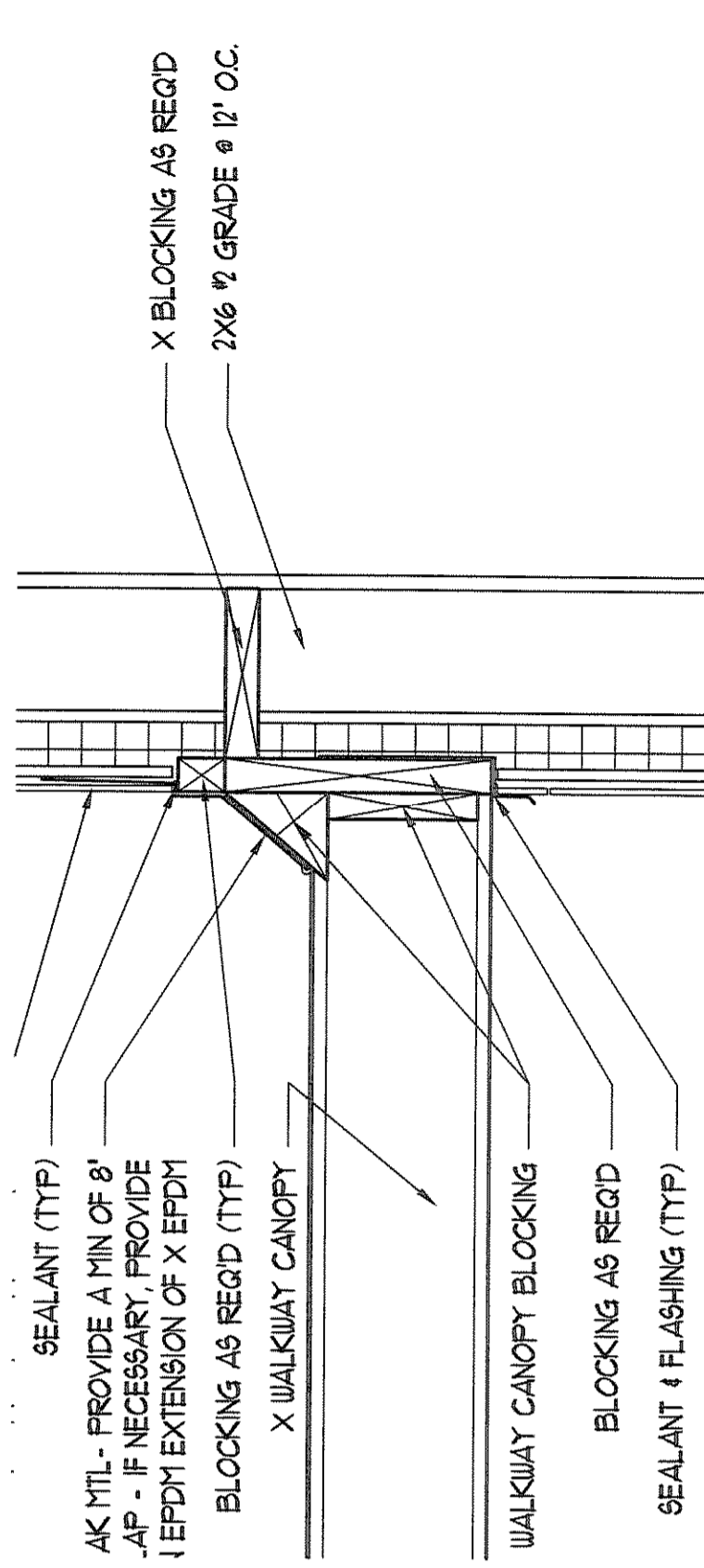
4 TOP OF WALL DETAIL  
SCALE: 1/2" = 1'-0"



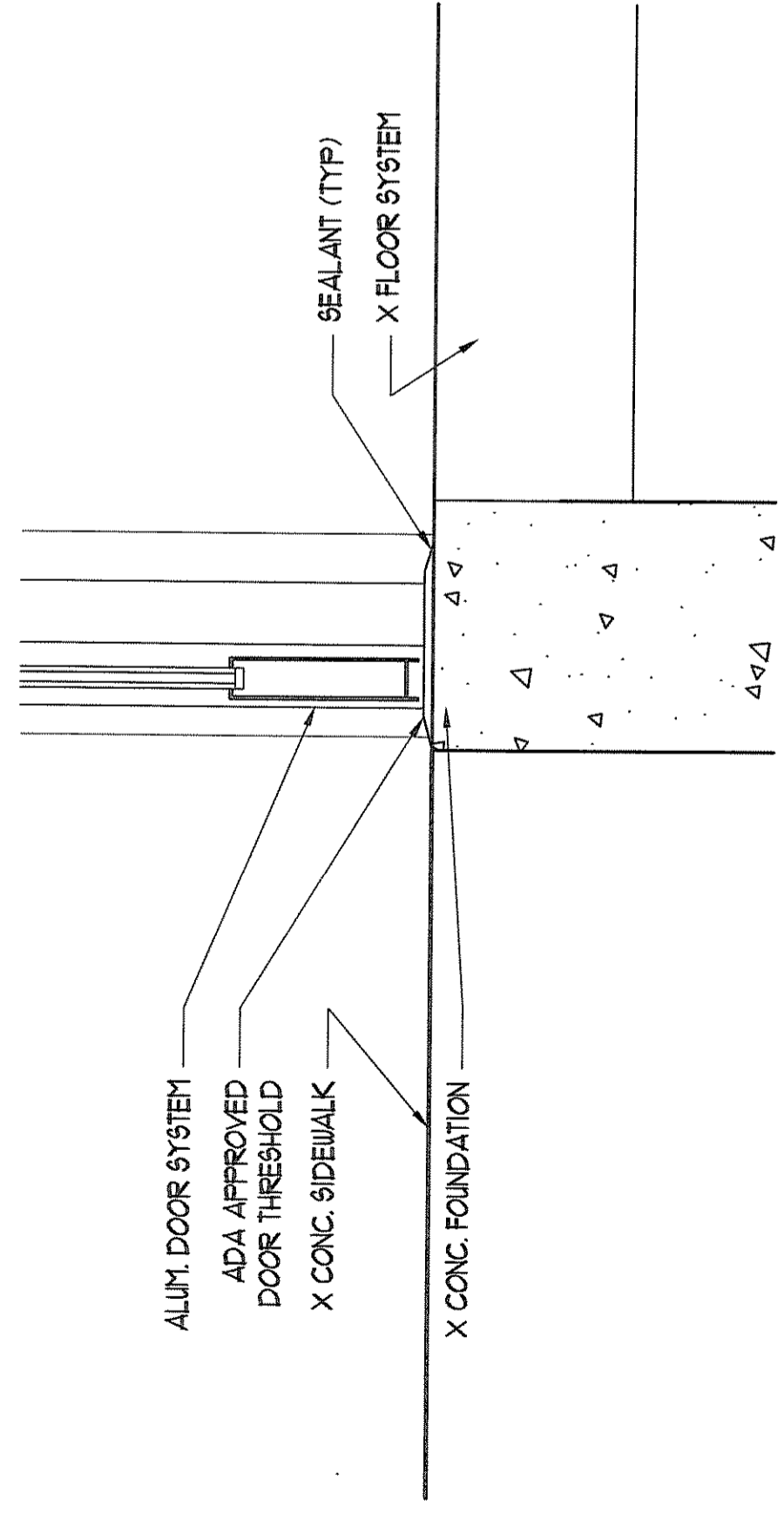
3 STAIR LANDING DETAIL  
SCALE: 1/2" = 1'-0"



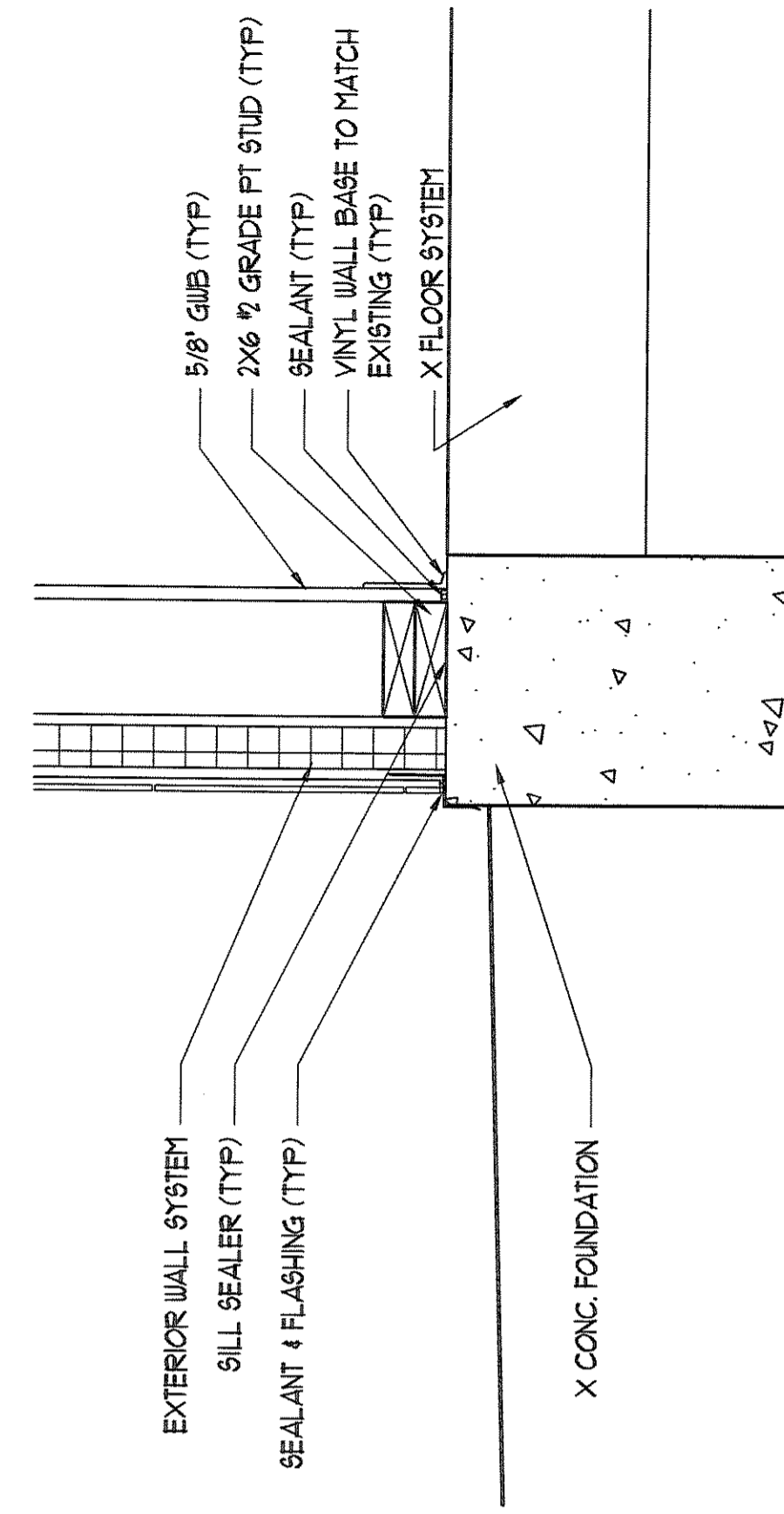
6 DOOR HEADER/CANOPY DETAIL  
SCALE: 1/2" = 1'-0"



2 CANOPY DETAIL  
SCALE: 1/2" = 1'-0"



5 DOOR THRESHOLD  
SCALE: 1/2" = 1'-0"



1 BOTTOM OF WALL DETAIL  
SCALE: 1/2" = 1'-0"

| # | DATE           | DESCRIPTION |
|---|----------------|-------------|
|   |                | BID SET     |
|   | Date Issued    | 04/16/10    |
|   | Project Number | 10503       |

|                |     |
|----------------|-----|
| SHEET NAME     |     |
| <b>DETAILS</b> |     |
| Drawn By       | JP  |
| Checked By     | LAS |

**UNIVERSITY OF NEW ENGLAND**  
Portland Campus  
**Blewett Hall**  
Window Replacement  
716 STEVENS AVENUE, PORTLAND, ME

**ALLIED COOK CONSTRUCTION**  
Managers • Builders  
Building Excellence Since 1958



**PORT CITY ARCHITECTURE**  
65 NEWBURY STREET  
PORTLAND, ME 04101  
207.761.9000  
fax: 207.761.2010  
lite@portcityarch.com