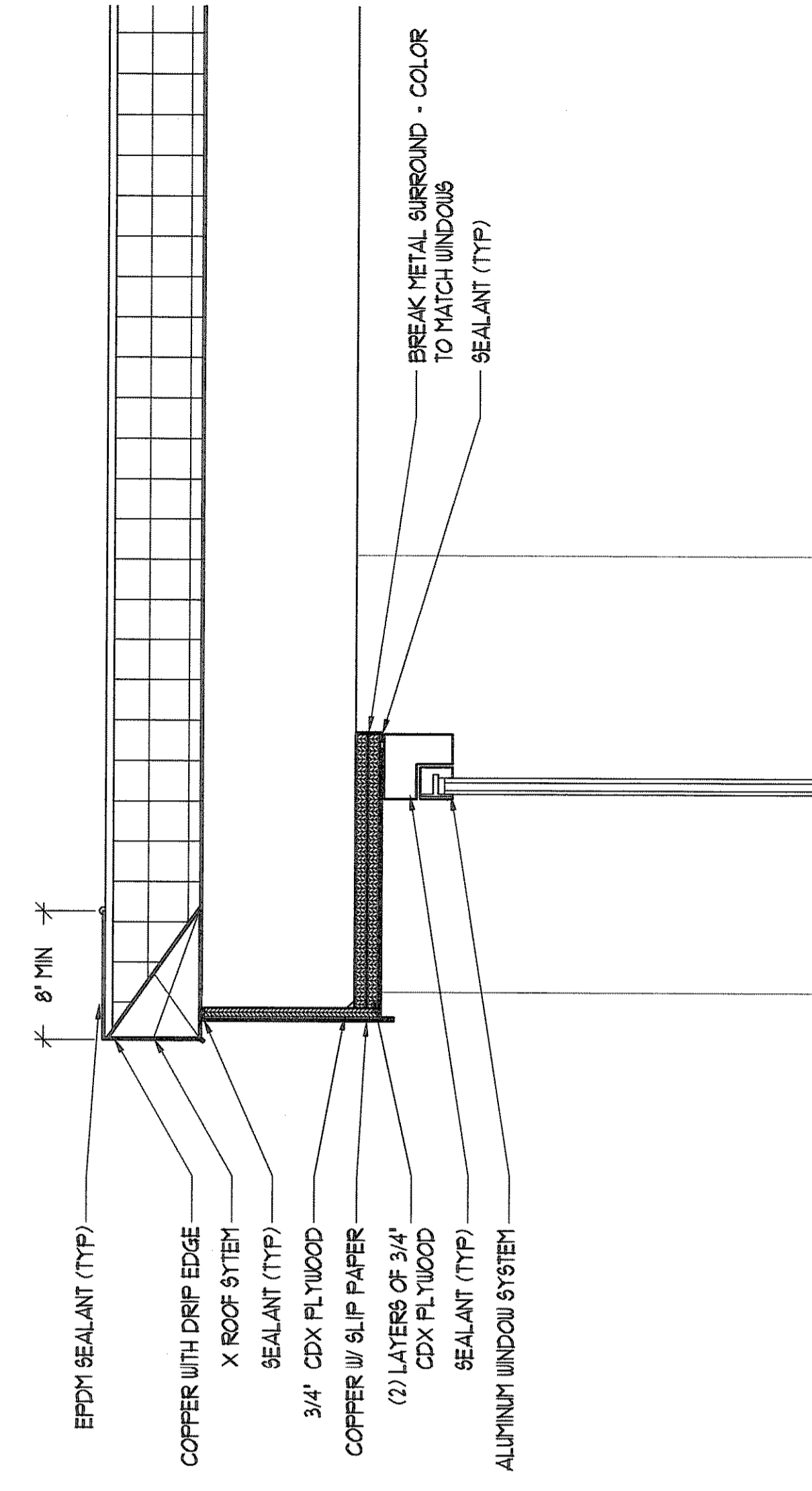
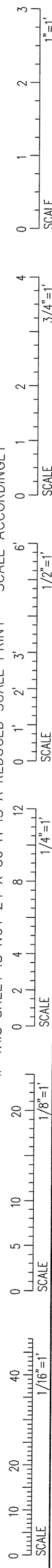
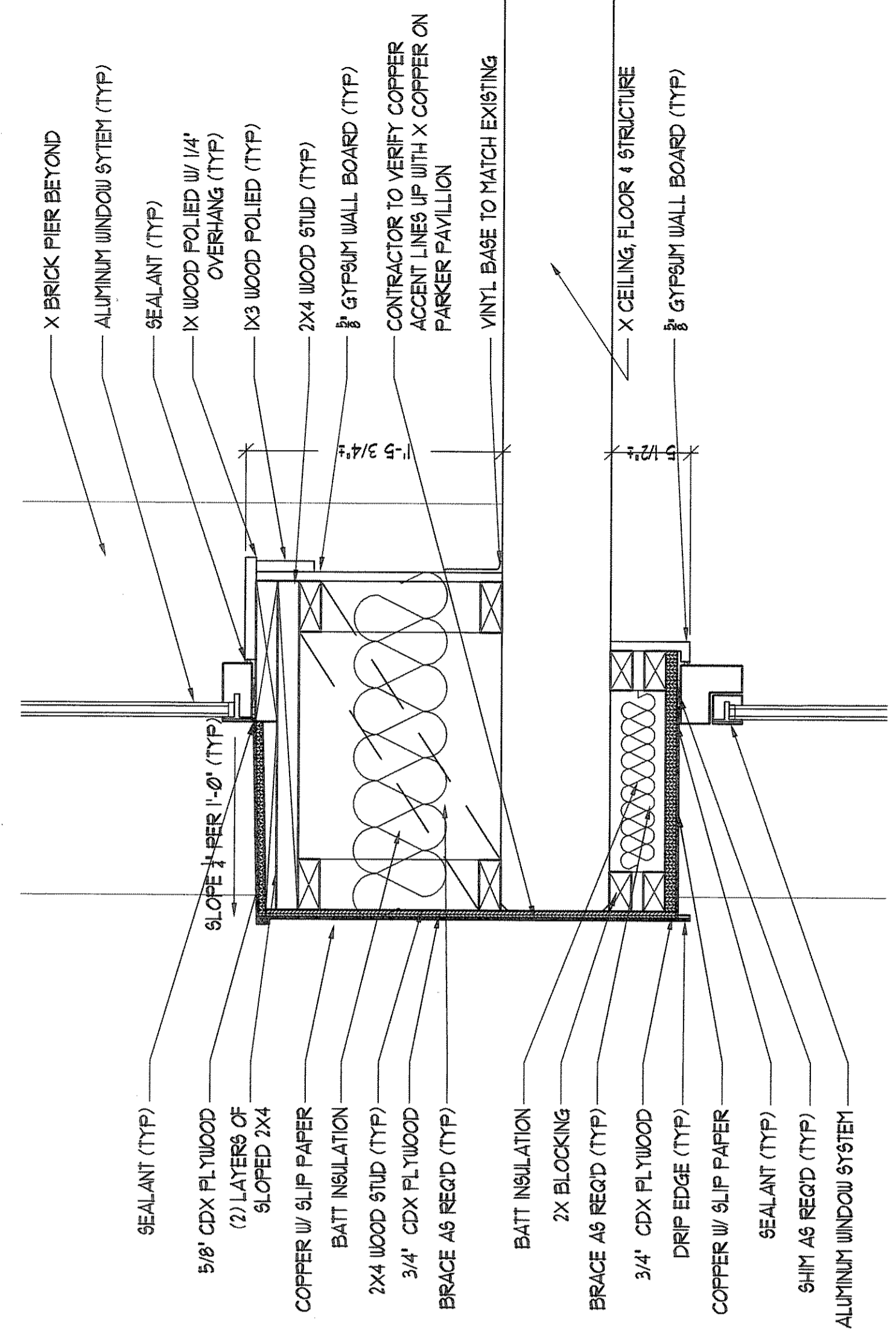


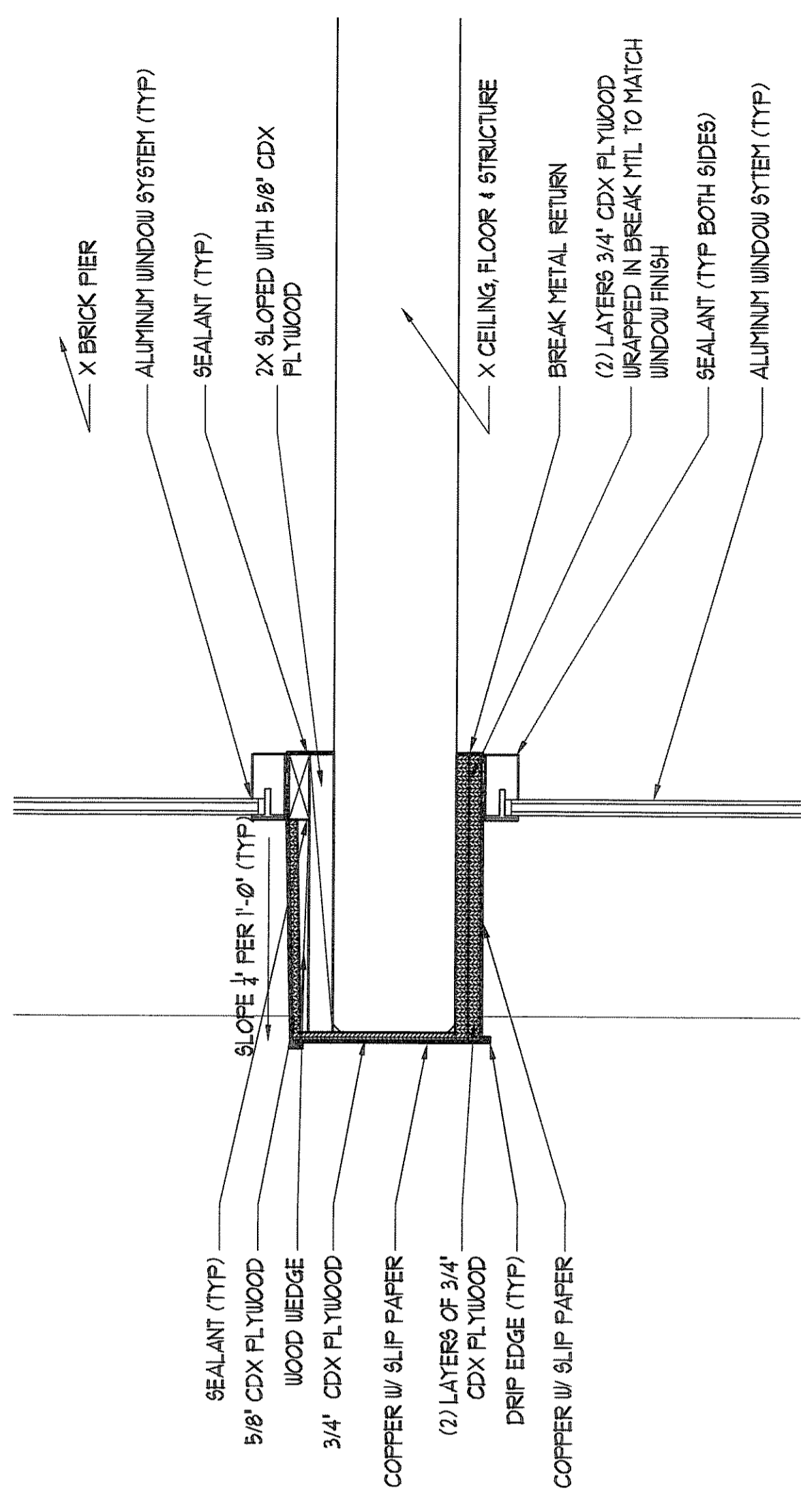
IF THIS SHEET IS NOT 24 X 36 IT IS A REDUCED SCALE PRINT - SCALE ACCORDINGLY



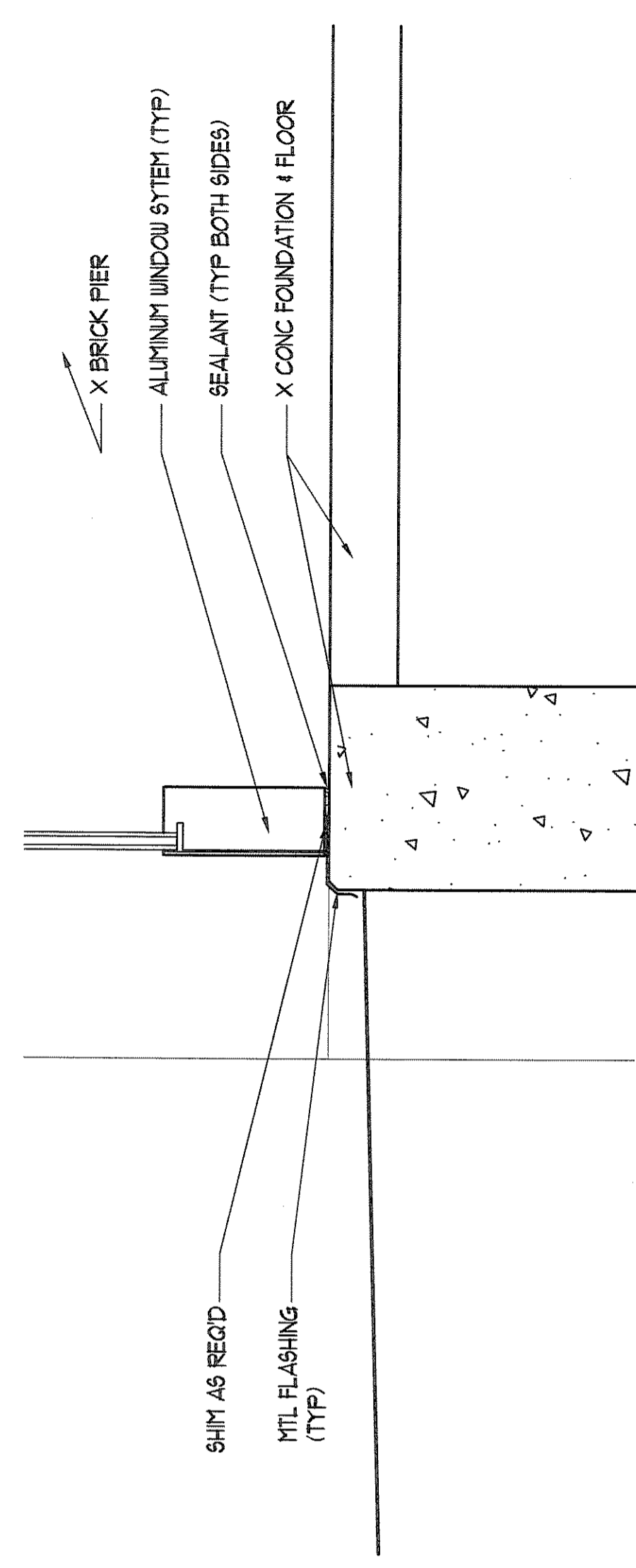
4 TOP OF WALL DETAIL
SCALE: 1 1/2" = 1'-0"



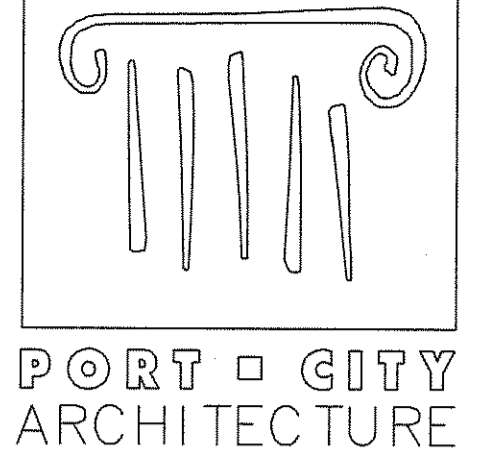
3 WINDOW DETAIL
SCALE: 1 1/2" = 1'-0"



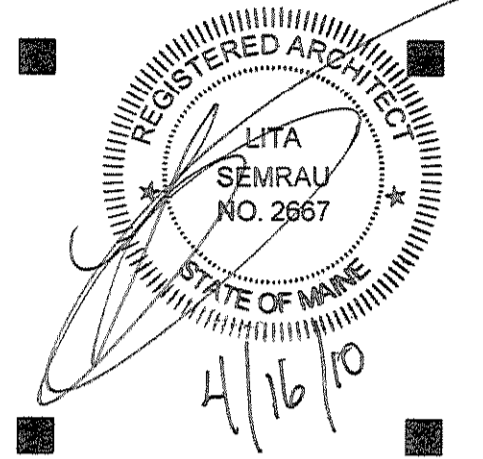
2 WINDOW DETAIL
SCALE: 1 1/2" = 1'-0"



1 BOTTOM OF WINDOW DETAIL
SCALE: 1 1/2" = 1'-0"



65 NEWBURY STREET
PORTLAND, ME 04101
207.761.9000
fax: 207.761.2010
lita@portcityarch.com



ALLEGED COOK CONSTRUCTION
Managers + Builders
Building Excellence Since 1958

UNE
UNIVERSITY OF NEW ENGLAND
Portland Campus
Blewett Hall Window Replacement
716 STEVENS AVENUE, PORTLAND, ME

#	DATE	DESCRIPTION
		BID SET
	04/16/10	Date Issued
	10503	Project Number

SHEET NAME
DETAILS

Drawn By
JP

Checked By
LAS

A4.1