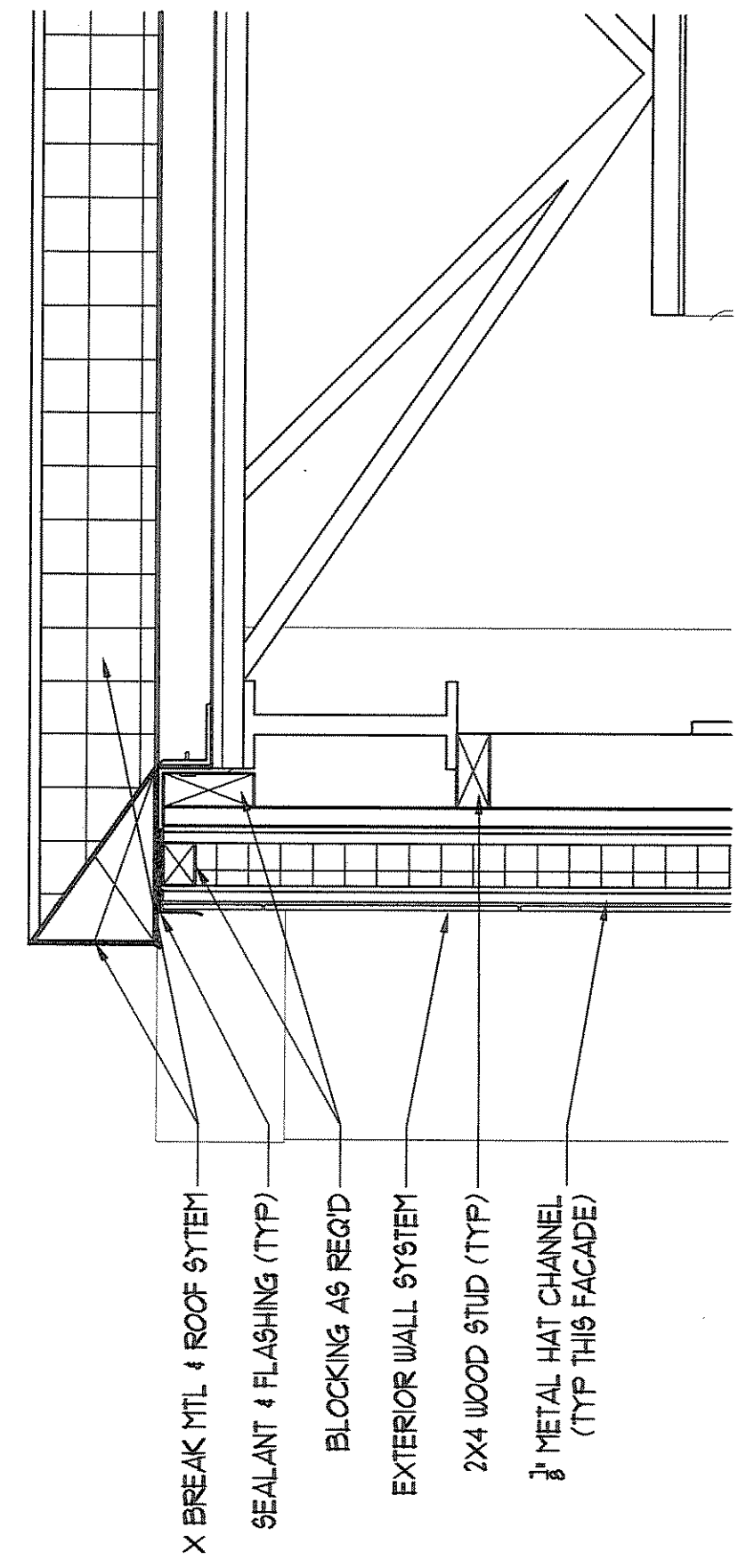
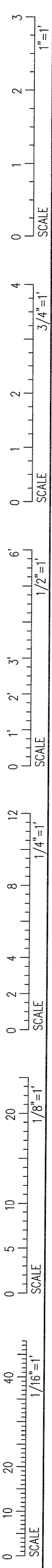
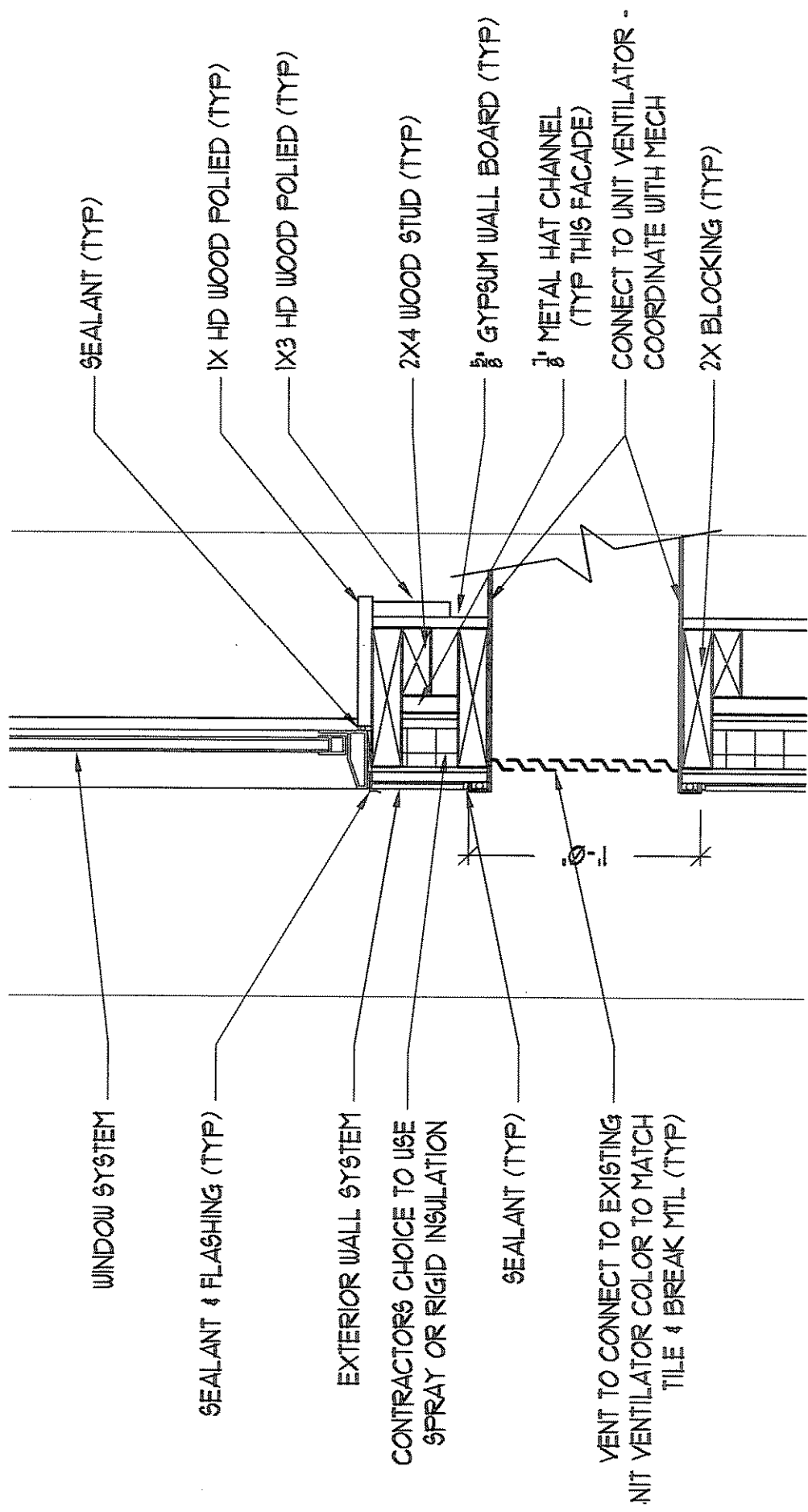


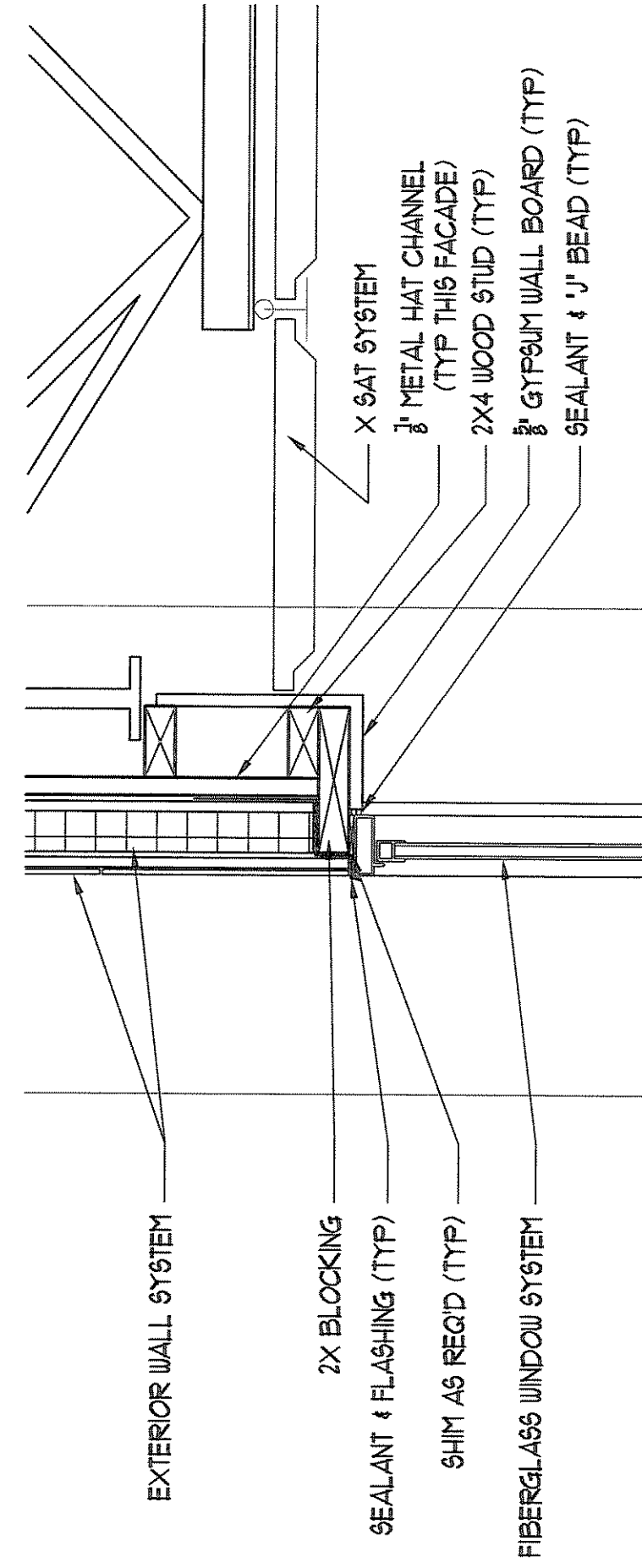
IF THIS SHEET IS NOT 24 X 36 IT IS A REDUCED SCALE PRINT - SCALE ACCORDINGLY



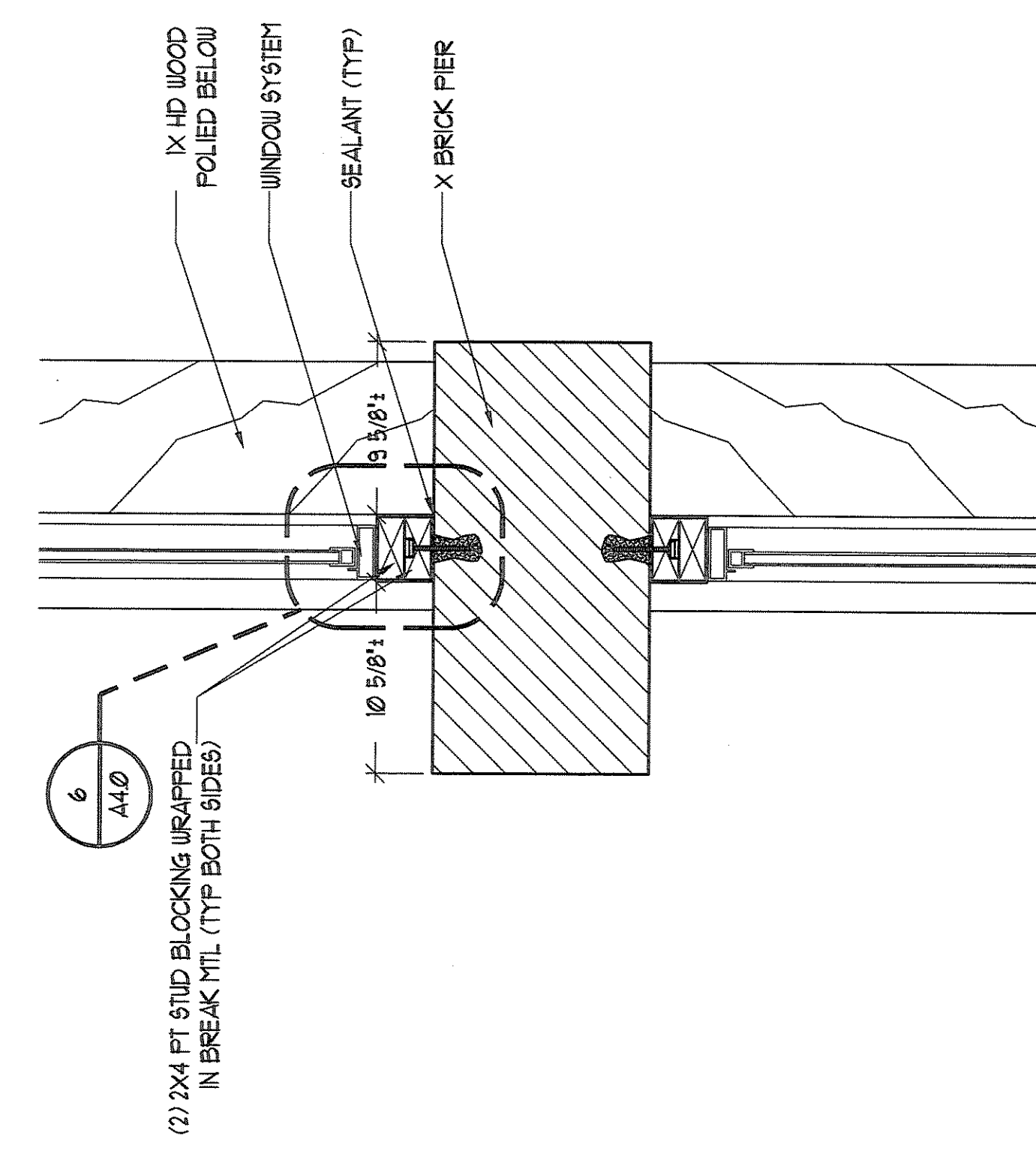
5 TOP OF WALL DETAIL
SCALE: 1 1/2" = 1'-0"



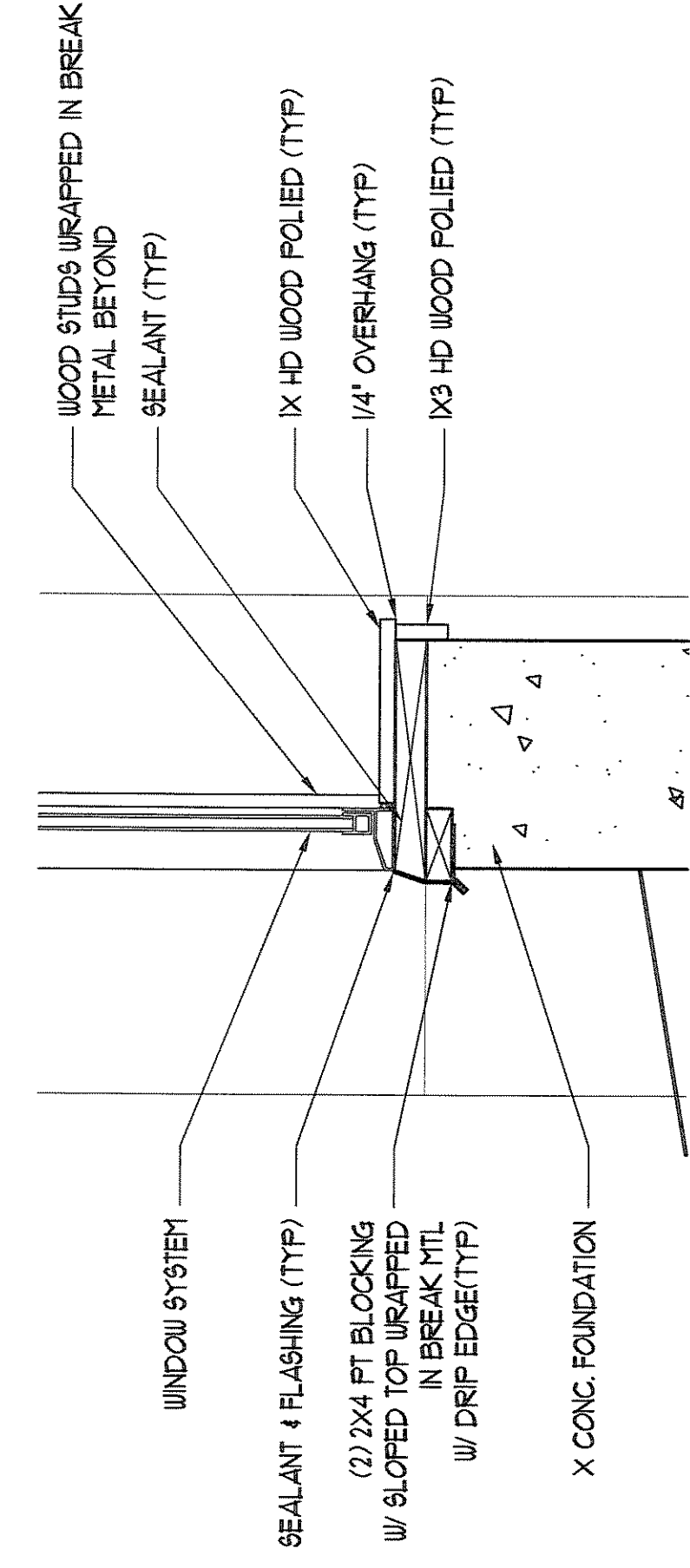
4 WINDOW & VENT DETAIL
SCALE: 1 1/2" = 1'-0"



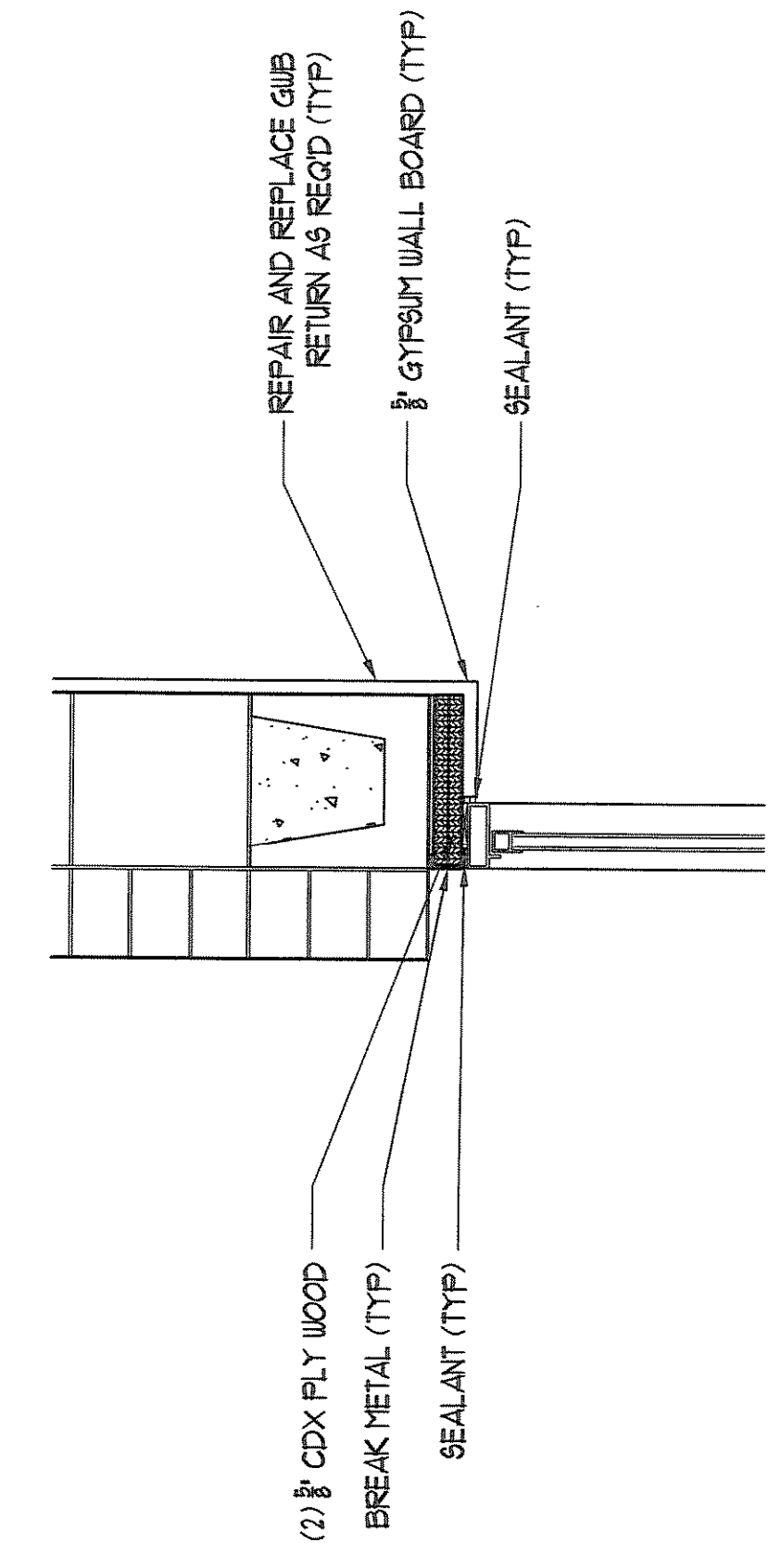
3 WINDOW HEADER
SCALE: 1 1/2" = 1'-0"



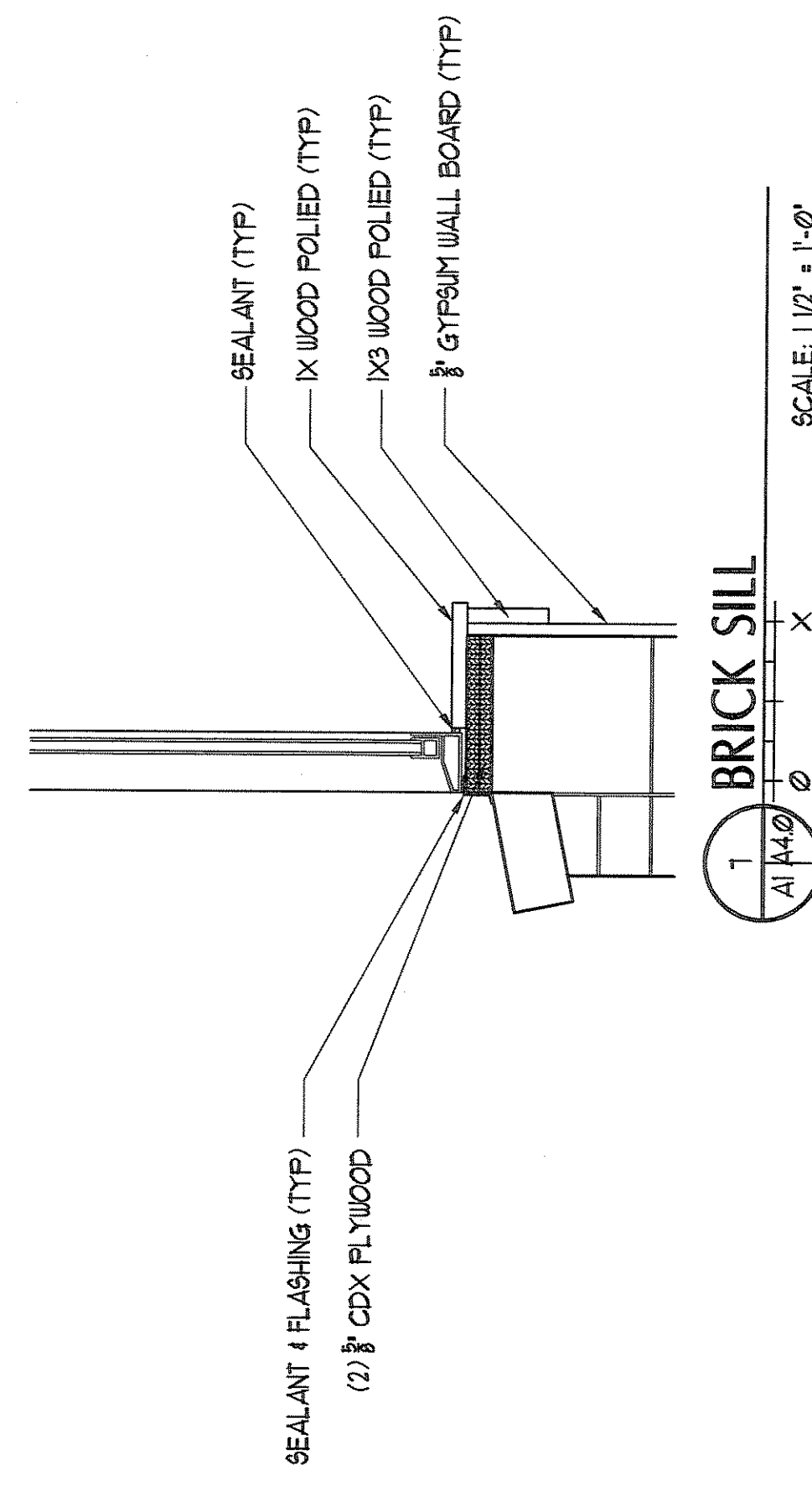
2 WINDOW PLAN DETAIL
SCALE: 1 1/2" = 1'-0"



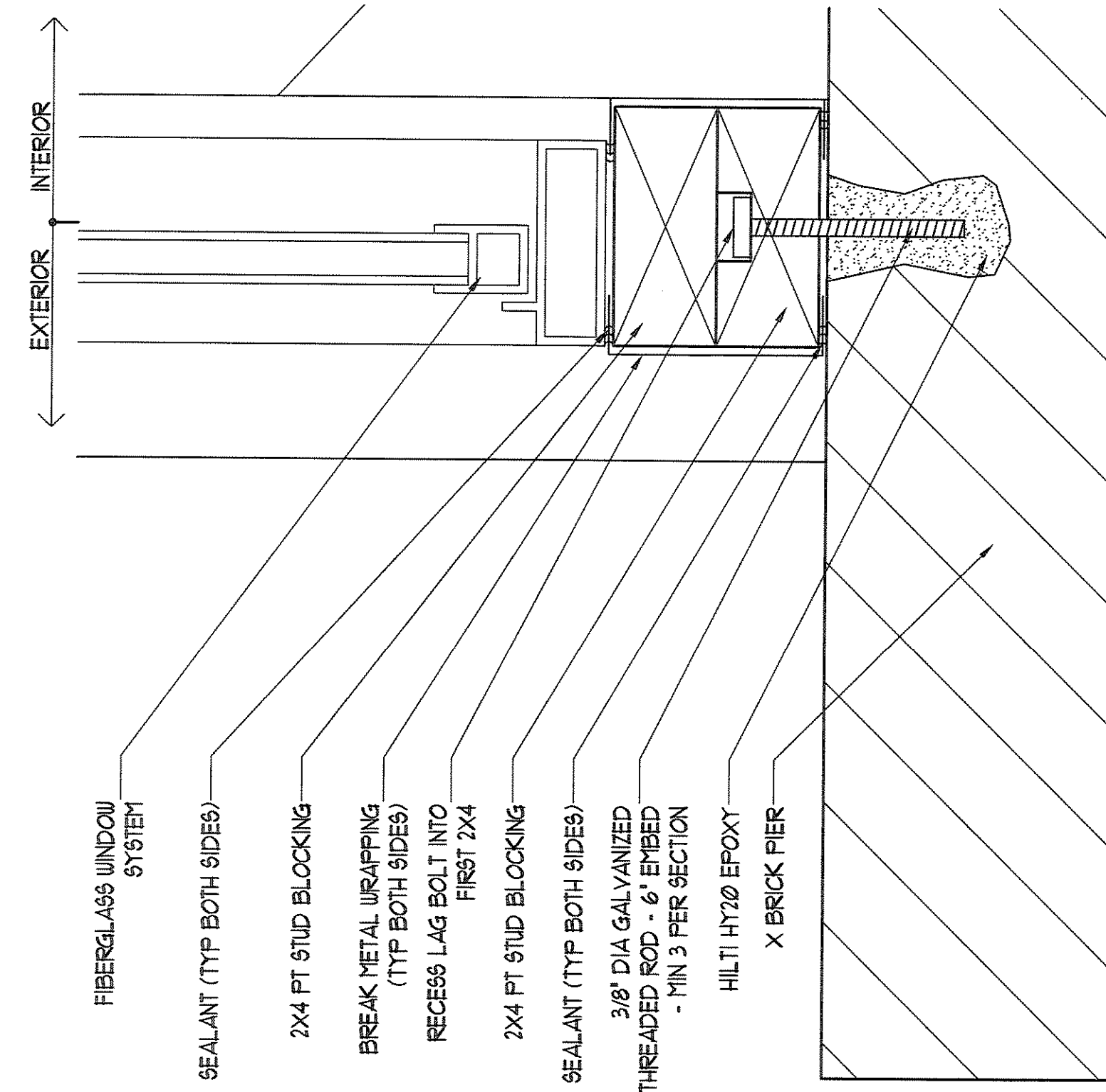
1 LOWER LEVEL SILL
SCALE: 1 1/2" = 1'-0"



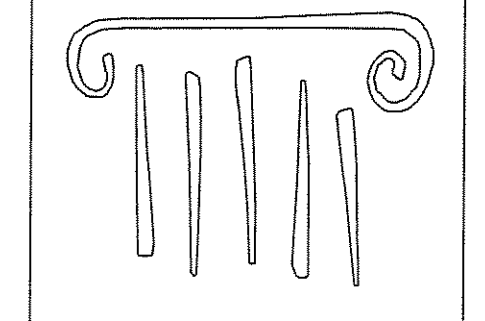
8 BRICK HEADER
SCALE: 1 1/2" = 1'-0"



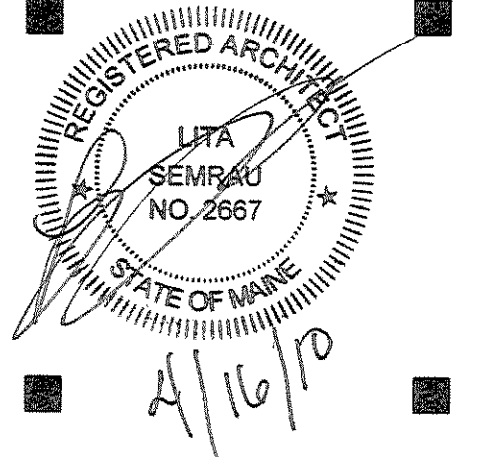
7 BRICK SILL
SCALE: 1 1/2" = 1'-0"



6 PLAN DETAIL ENLARGEMENT
SCALE: 6" = 1'-0"



PORT CITY ARCHITECTURE
65 NEWBURY STREET
PORTLAND, ME 04101
207.761.9000
fax: 207.761.2010
lita@portcityarch.com



ALLIED COOK CONSTRUCTION
Managers - Builders
Building Excellence Since 1958

UNE
UNIVERSITY OF NEW ENGLAND
Portland Campus
Blewett Hall Window Replacement
716 STEVENS AVENUE, PORTLAND, ME

#	DATE	DESCRIPTION
		BID SET
	04/16/10	Date Issued
	10503	Project Number

SHEET NAME
DETAILS

Drawn By: JP
Checked By: LAS
A4.0

CONSTRUCTION SET