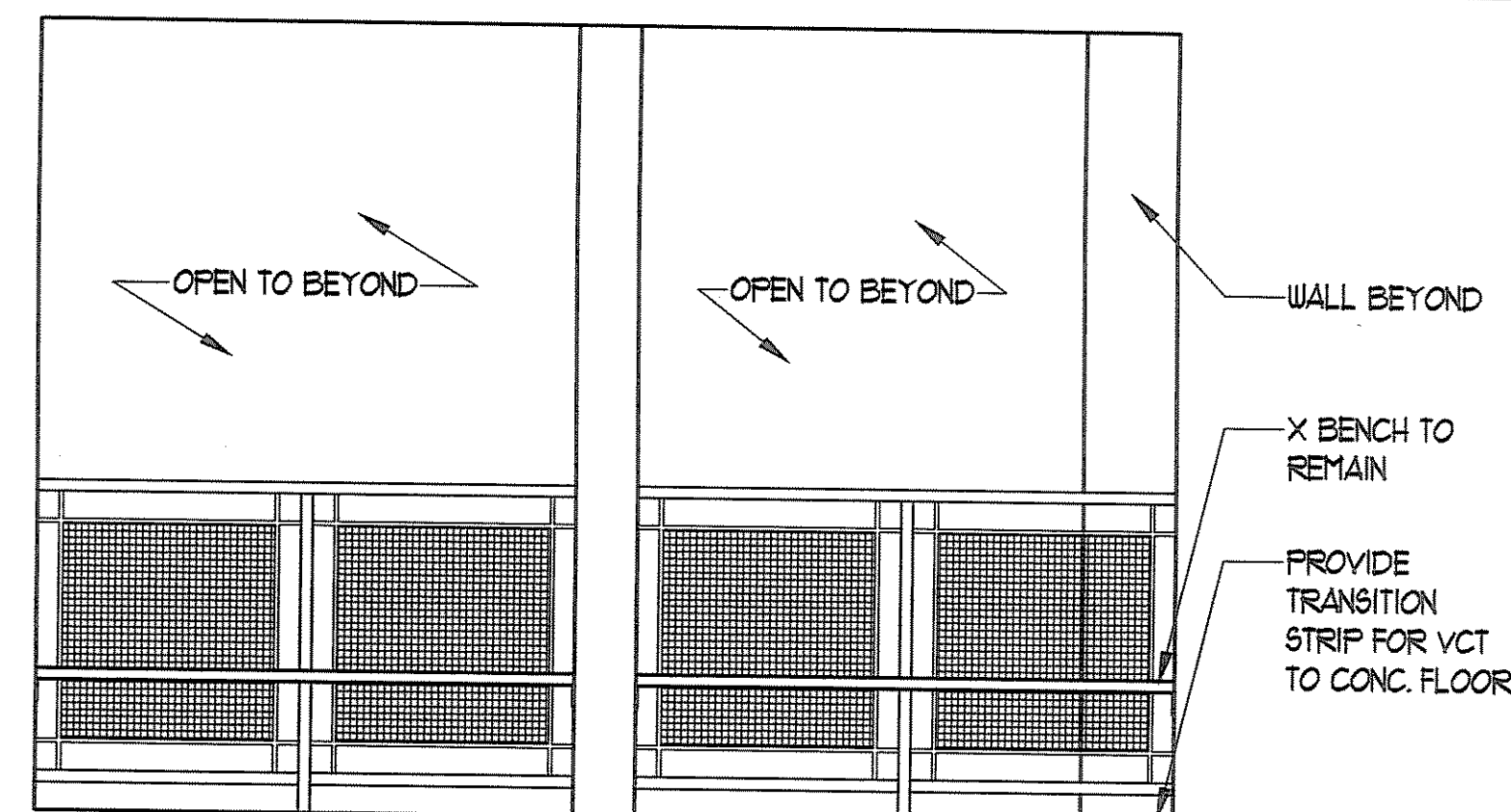
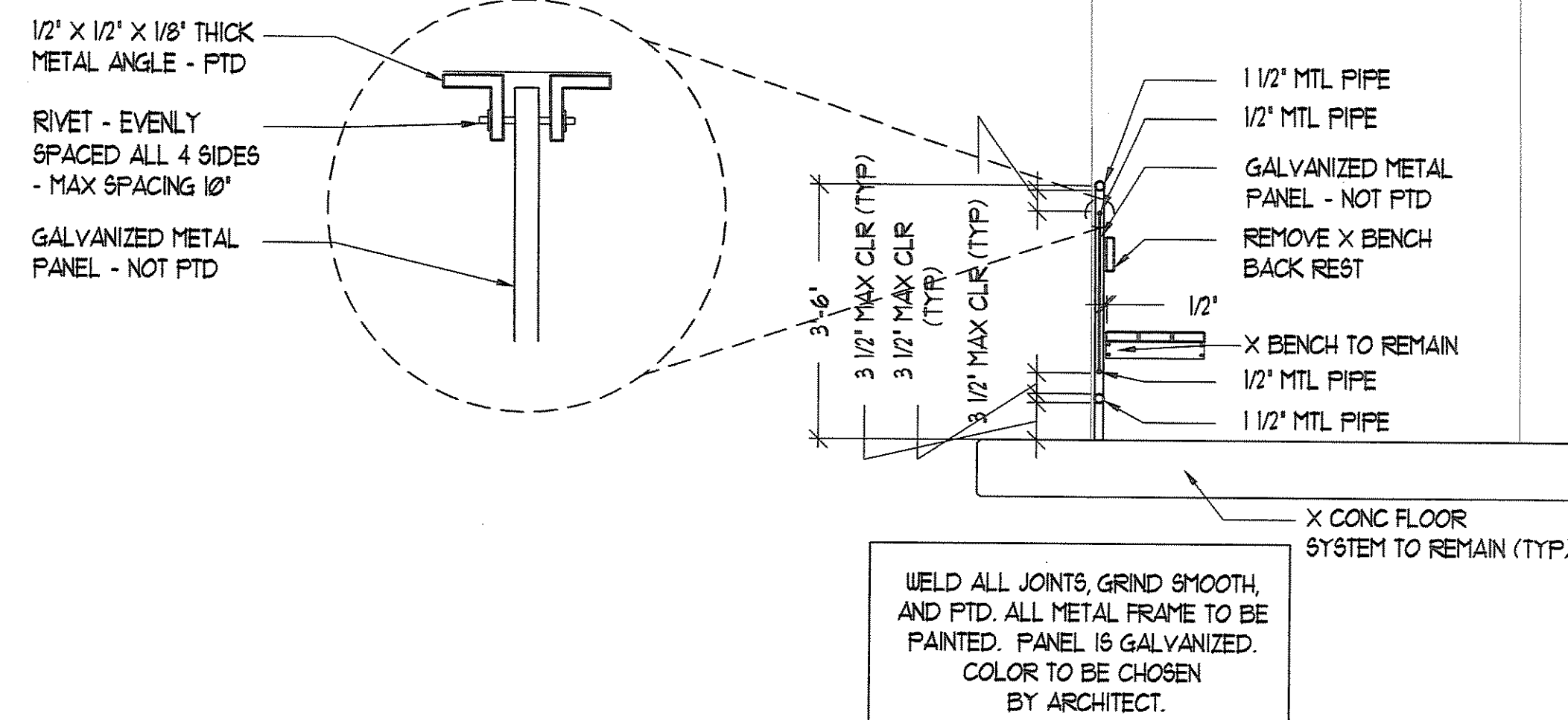


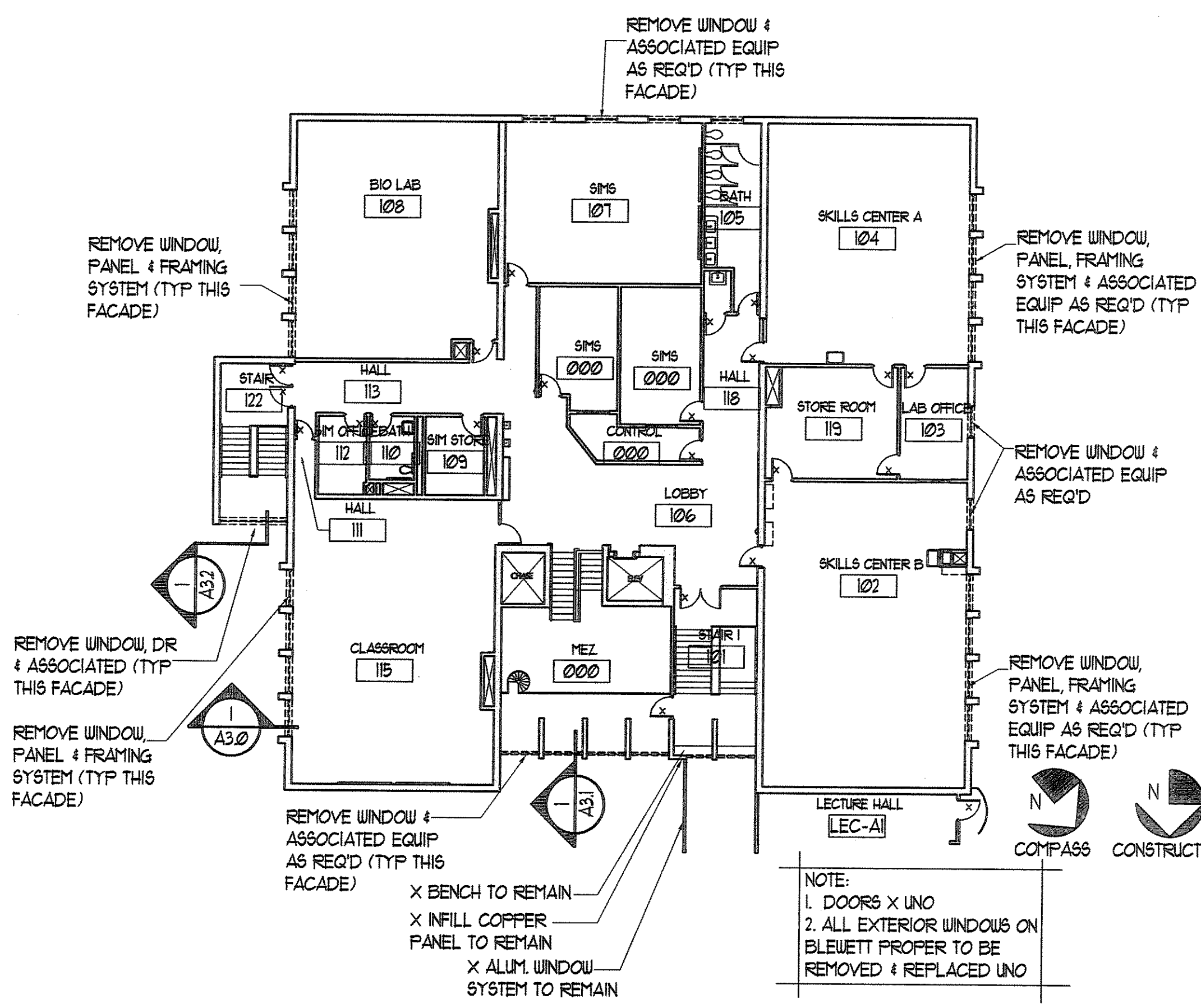
IF THIS SHEET IS NOT 24 X 36 IT IS A REDUCED SCALE PRINT - SCALE ACCORDINGLY



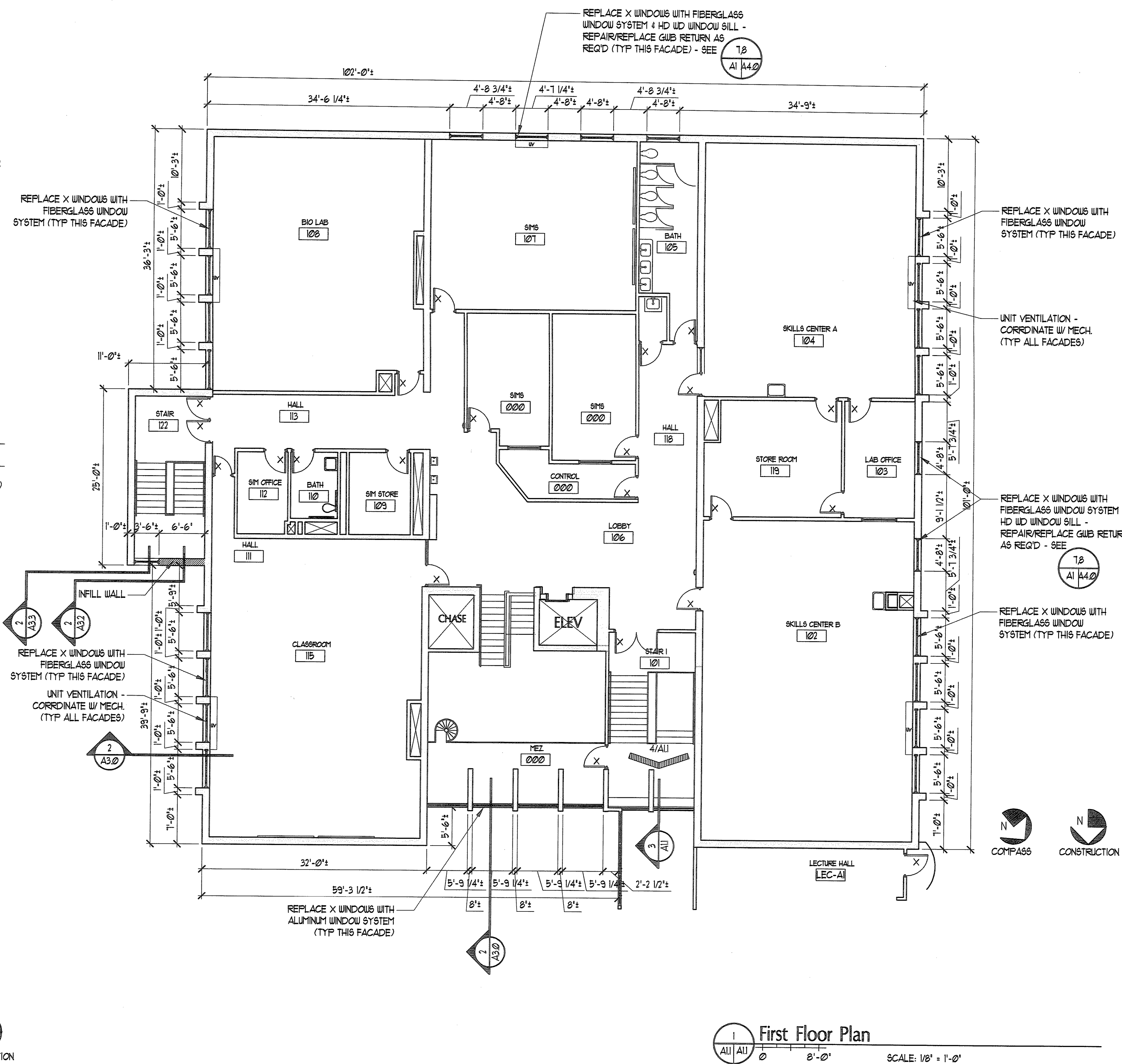
4 Bench Elevation
SCALE: 1/2" = 1'-0"



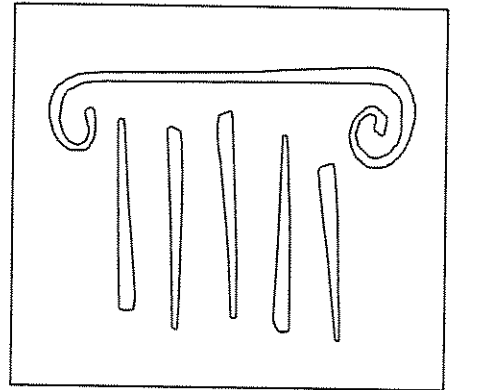
3 Bench Section
SCALE: 1/2" = 1'-0"



2 First Floor Demo Plan
SCALE: 1/16" = 1'-0"

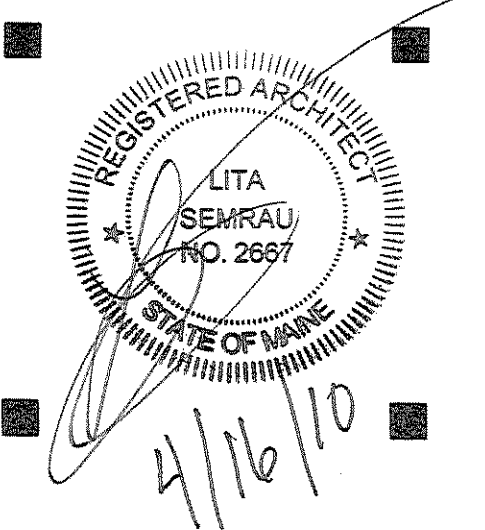


1 First Floor Plan
SCALE: 1/8" = 1'-0"



PORT CITY ARCHITECTURE

65 NEWBURY STREET
PORTLAND, ME 04101
207.761.9000
207.761.2010
lita@portcityarch.com



ALLEN COOK
CONSTRUCTION
Managers • Builders
Building Excellence Since 1958

UNE
UNIVERSITY OF
NEW ENGLAND

Portland Campus
Blewett Hall
Window
Replacement
716 STEVENS AVENUE, PORTLAND, ME

#	DATE	DESCRIPTION
		BID SET
	04/16/10	Date Issued
	10503	Project Number

SHEET NAME
First Floor Plan

Drawn By
JP
Checked By
LAS

A1.1

CONSTRUCTION SET