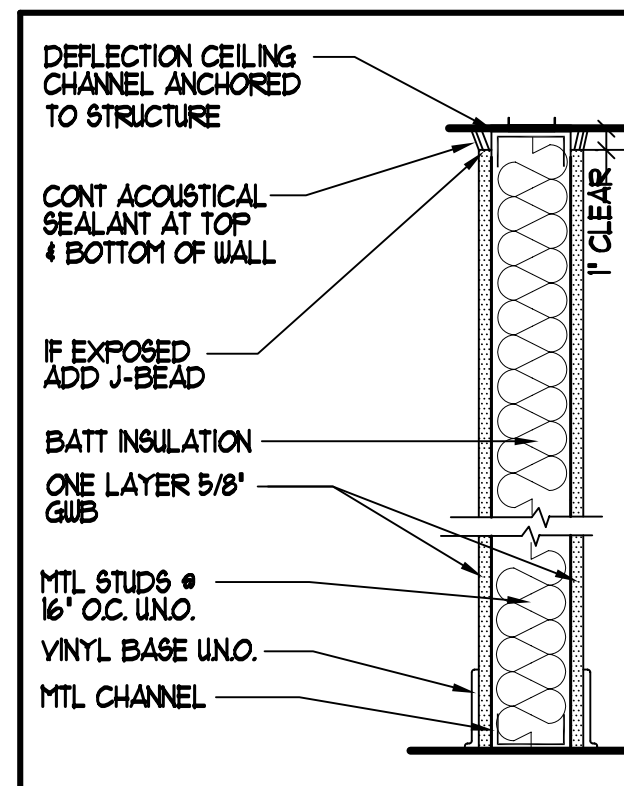
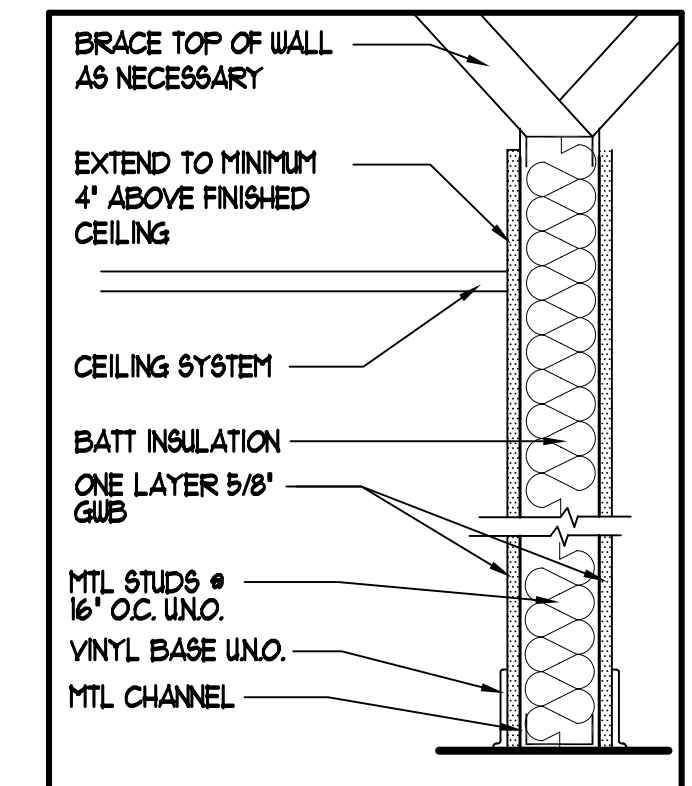


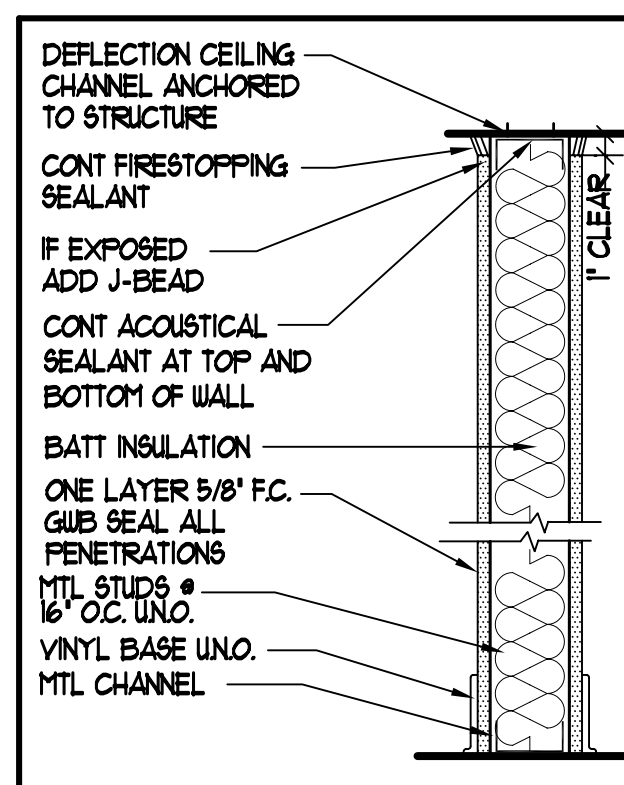
IF THIS SHEET IS NOT 24 X 36 IT IS A REDUCED SCALE PRINT - SCALE ACCORDINGLY



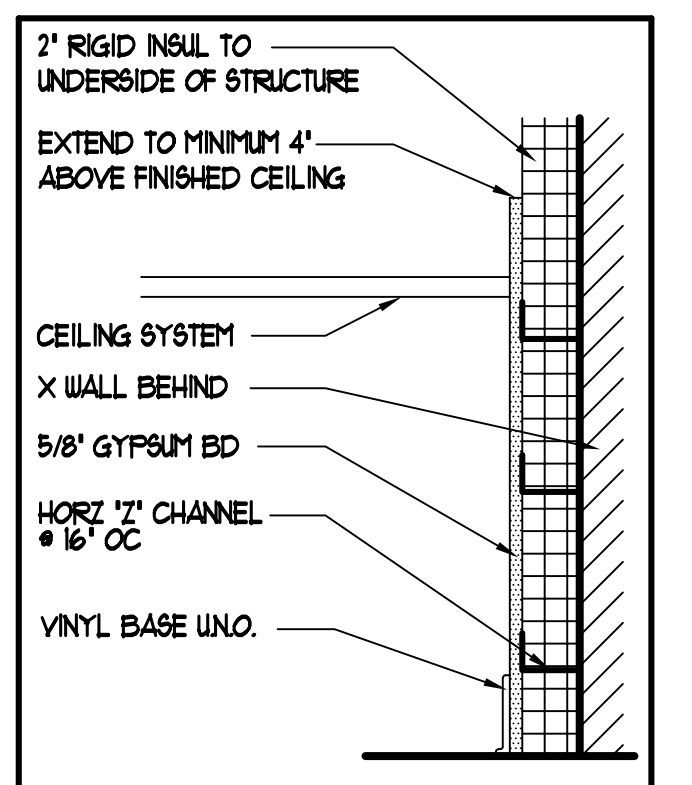
- 3 5/8" METAL STUD FULL HGT ACOUSTICAL WALL (AA)
- 6" METAL STUD FULL HGT ACOUSTICAL WALL (AB)
- (2) 3 5/8" METAL STUDS - FULL HGT ACOUSTICAL WALL (SEE PLAN FOR THICK.) (AC)
- 2X4 STUD FULL HGT ACOUSTICAL WALL (AD)
- 2X8 STUD FULL HGT ACOUSTICAL WALL (AE)



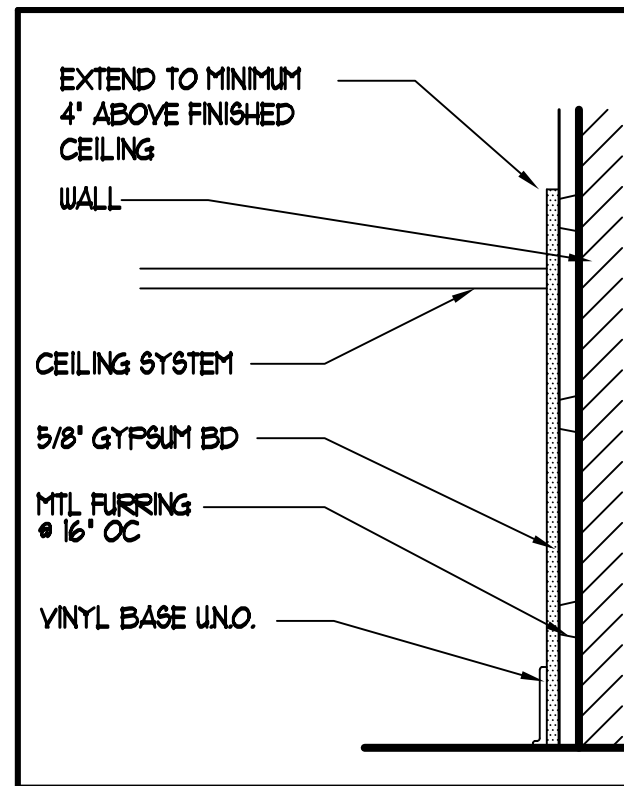
- 3 5/8" METAL STUD PARTITION WALL (EA)
- 6" METAL STUD PARTITION WALL (EB)



- 3 5/8" METAL STUD - FULL HGT 1 HOUR RATED UL 1495 WALL ASSEMBLY (IA)



- 2" 2" CHANNEL W/ 2" INSUL 3/8" GUB TO 4" ABOVE FIN. CEILING (MA)
- 2" 2" CHANNEL W/ 2" INSUL 3/8" GUB TO STRUCT ABOVE (MB)
- 3 5/8" MTL STUD W/ 2" INSUL GLUED HORIZONTALLY TO CONC BEHIND 3/8" GUB TO 4" ABOVE FIN. CEILING (MC)
- 3 5/8" MTL STUD W/ 2" INSUL GLUED HORIZONTALLY TO CONC BEHIND 3/8" GUB TO STRUCT. ABOVE (MD)
- 3 5/8" MTL STUD W/ AIR SPACE (SEE PLAN FOR THICK.) 2" 2" CHANNEL W/ 2" INSUL 3/8" GUB TO 4" ABOVE FIN. CEILING (ME)
- 3 5/8" MTL STUD W/ AIR SPACE (SEE PLAN FOR THICK.) 2" 2" CHANNEL W/ 2" INSUL 3/8" GUB TO STRUCT. ABOVE (MF)
- 2X4 UID STUD W/ 2" INSUL GLUED HORIZONTALLY TO CONC BEHIND 3/8" GUB TO STRUCT. ABOVE (MG)
- 2X4 UID STUD W/ 1/2" PLYWOOD BEHIND GUB (MH)

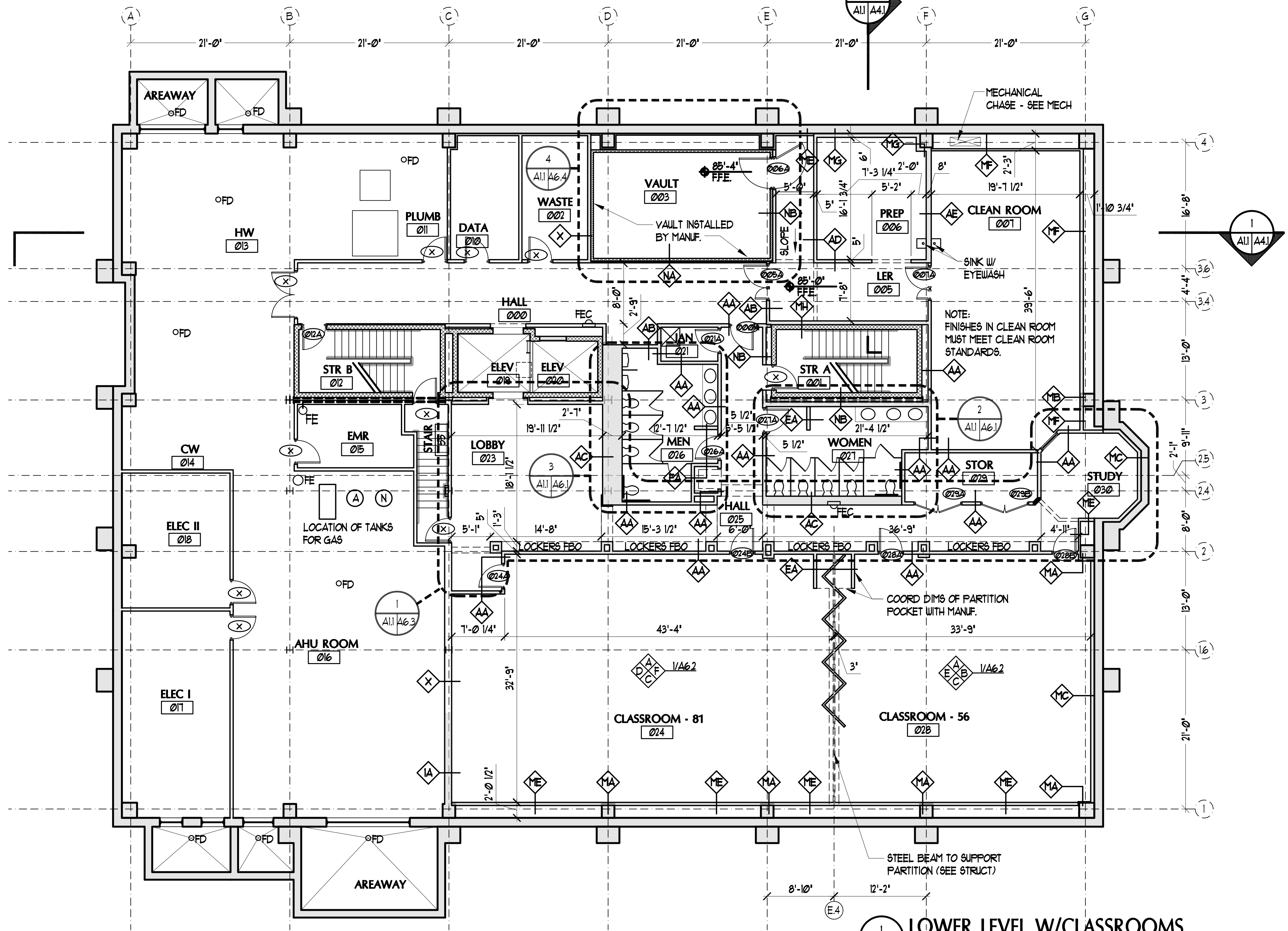
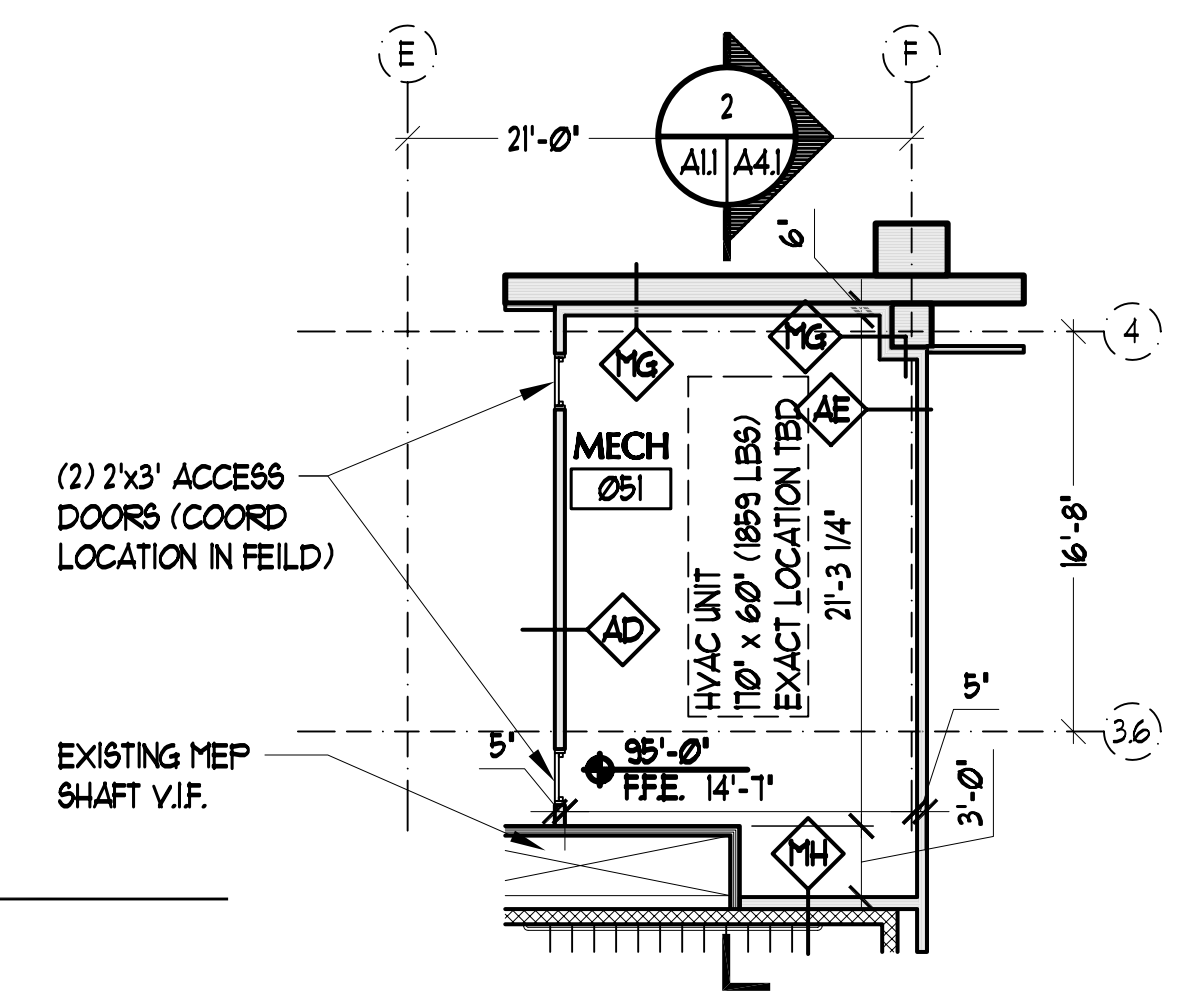


- FURRED WALL W/ 1/2" MTL HAT CHANNEL (NA)
- FURRED WALL W/ 3 5/8" MTL STUD - SEE PLAN FOR THICKNESS (NE)
- FURRED WALL W/ 3 5/8" MTL STUD TO UNDERSIDE OF STRUCT ABOVE (NF)

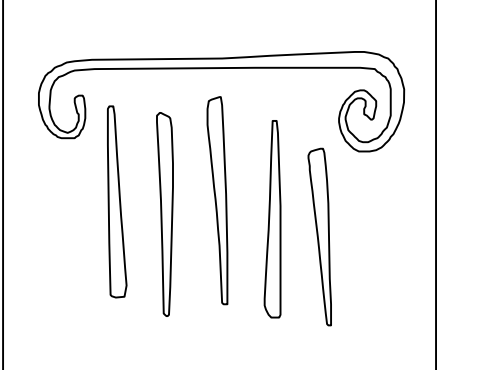
GENERAL WALL TYPE NOTES:

- IN RESEARCH LABS, NMR AND VIVARIUM HOLD GUB MINIMUM 1/2" FROM FINISH FLOOR
- AT ALL WET AREAS NOT ALREADY INDICATED AS WATER RESISTANT, WATER RESISTANT GUB NEEDS TO BE PROVIDED

2 MECHANICAL SPACE PLAN
SCALE: 1/8" = 1'-0"



1 LOWER LEVEL W/CLASSROOMS
SCALE: 1/8" = 1'-0"



PORT CITY ARCHITECTURE

65 NEWBURY STREET
PORTLAND, ME 04101
207.761.9000
fax: 207.761.2010
lita@portcityarch.com

**UNIVERSITY OF NEW ENGLAND
COLLEGE OF
PHARMACY
CLASSROOMS**

716 STEVENS AVENUE, PORTLAND, ME

DATE	DESCRIPTION

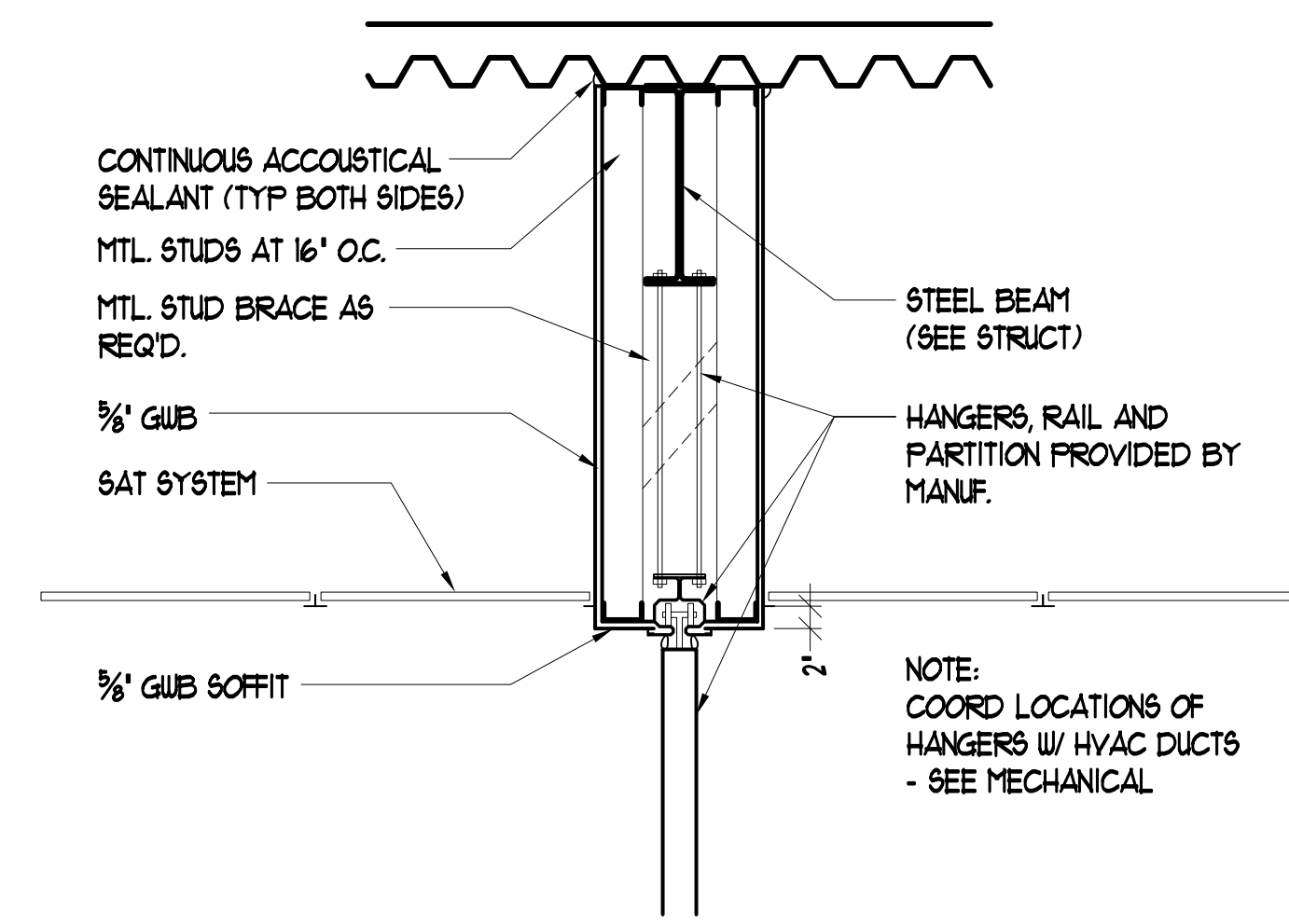
Date Issued: 3/11/2009
Project Number: 08518

SHEET NAME:
PLAN

Drawn By: EAC
Checked By: LAS
LL A1.1

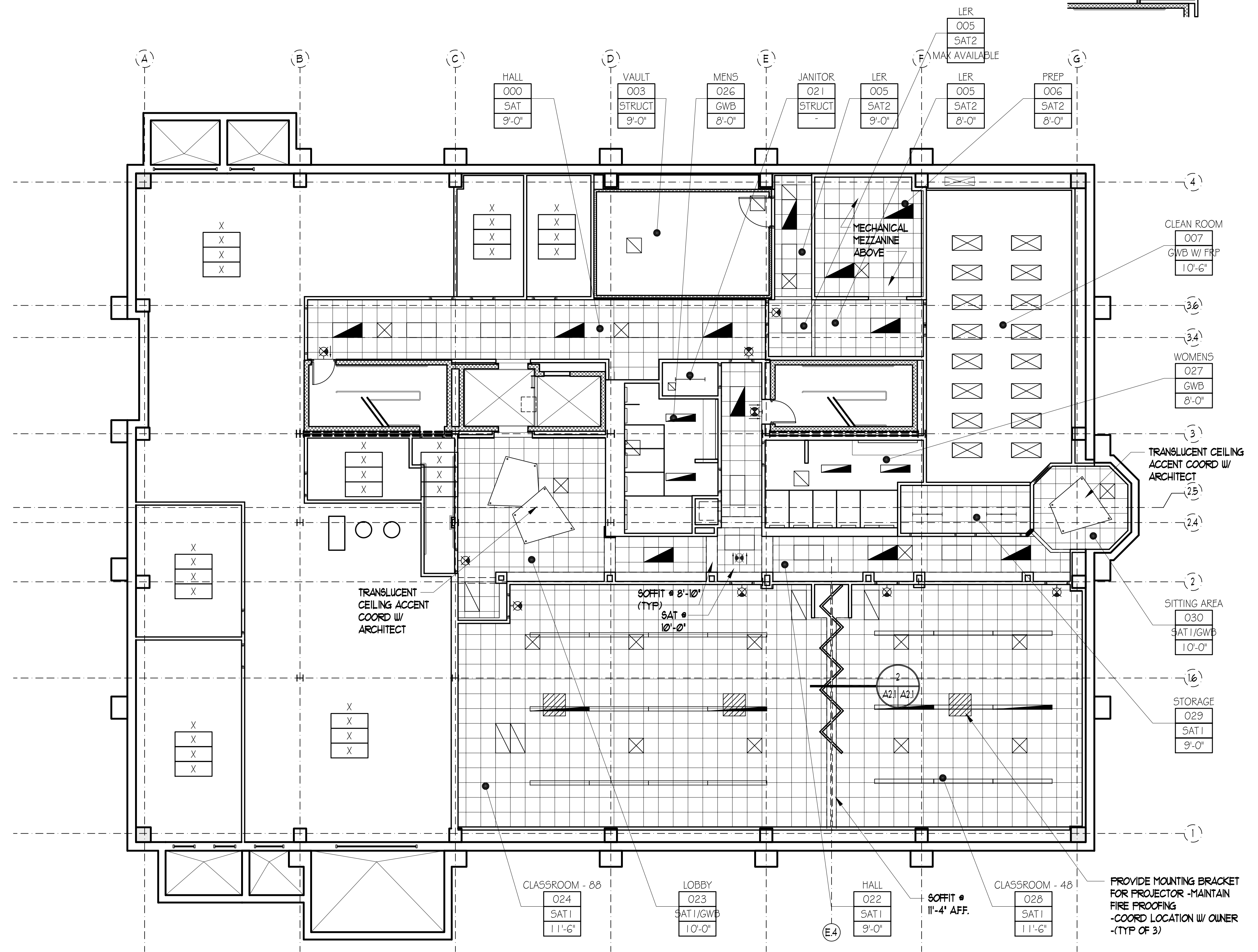
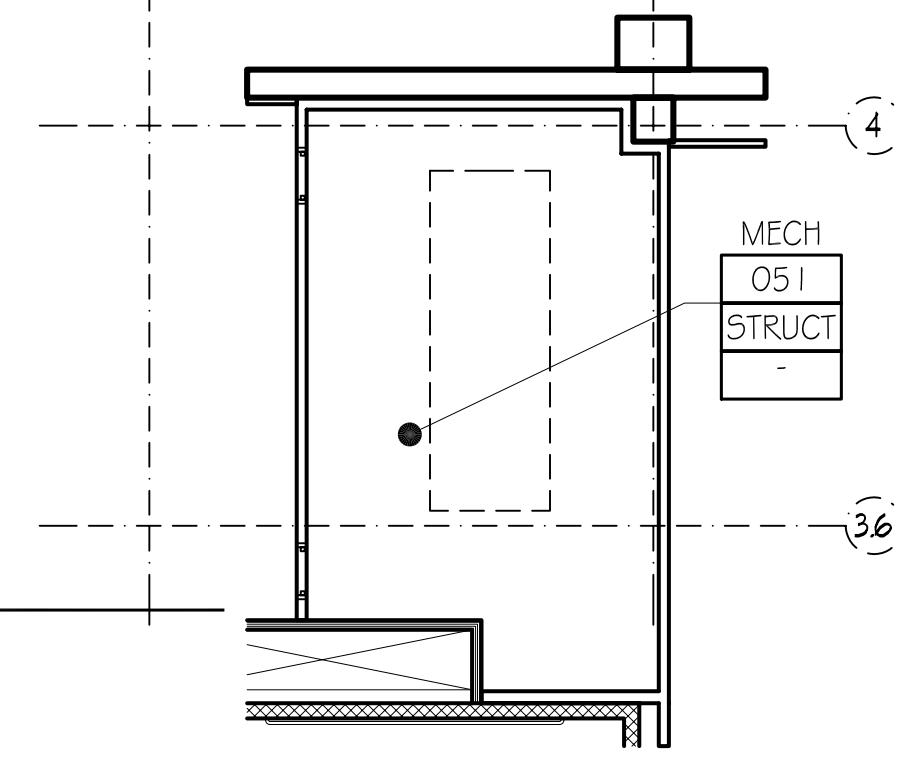
BID DOCUMENTS - NOT FOR CONSTRUCTION

IF THIS SHEET IS NOT 24 X 36 IT IS A REDUCED SCALE PRINT - SCALE ACCORDINGLY



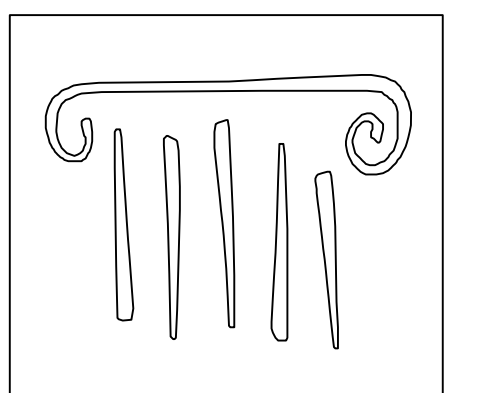
2 PARTITION WALL SOFFIT DETAIL
SCALE: 3/4" = 1'-0"

2 MECHANICAL SPACE RCP
SCALE: 1/8" = 1'-0"



1 REFLECTED CEILING PLAN
SCALE: 1/8" = 1'-0"

BID DOCUMENTS - NOT FOR CONSTRUCTION



PORT CITY ARCHITECTURE

65 NEWBURY STREET
PORTLAND, ME 04101
207.761.9000
fax: 207.761.2010
lita@portcityarch.com

**UNIVERSITY OF NEW ENGLAND
COLLEGE OF
PHARMACY
CLASSROOMS**

76 STEVENS AVENUE, PORTLAND, ME

DATE	DESCRIPTION

Date Issued: 3/11/2009

Project Number: 08518

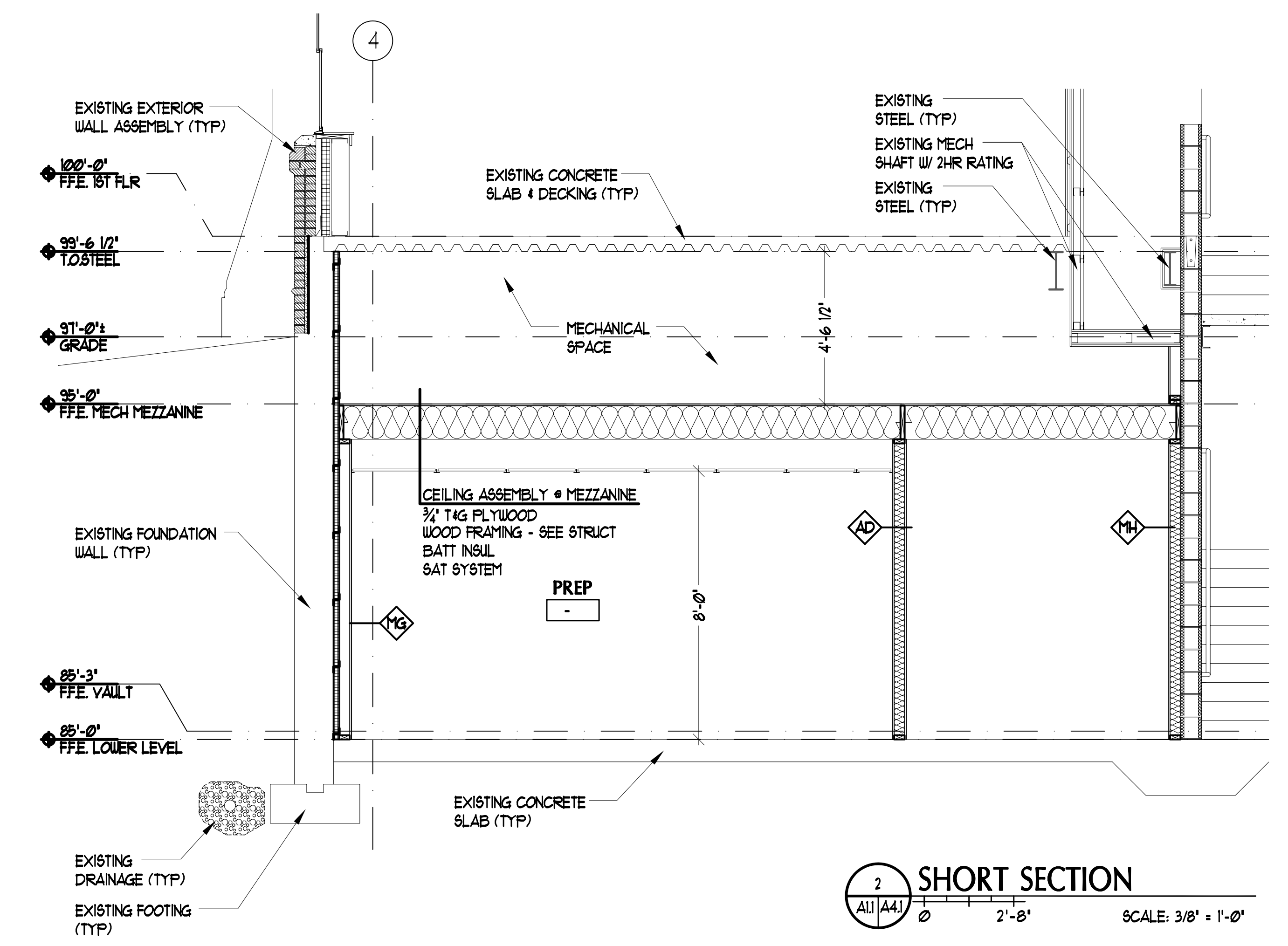
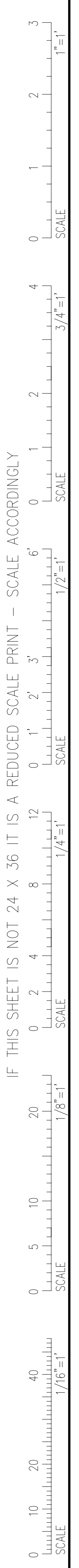
1/8" = 1'-0"

SHEET NAME:
REFLECTED CEILING PLAN

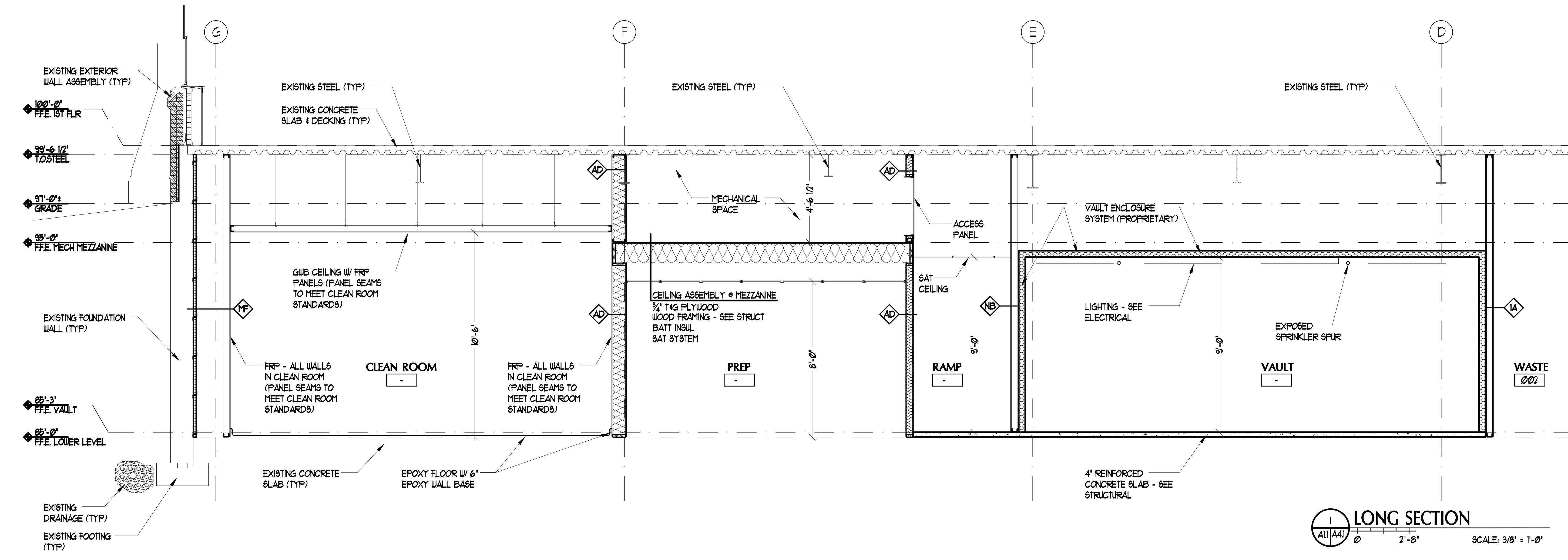
Drawn By: EAC
Checked By: LAS

**LL
A2.1**

IF THIS SHEET IS NOT 24 X 36 IT IS A REDUCED SCALE PRINT - SCALE ACCORDINGLY



2 SHORT SECTION
SCALE: 3/8" = 1'-0"



1 LONG SECTION
SCALE: 3/8" = 1'-0"

PORT CITY ARCHITECTURE
65 NEWBURY STREET
PORTLAND, ME 04101
207.761.9000
fax: 207.761.2010
lita@portcityarch.com

**UNIVERSITY OF NEW ENGLAND
COLLEGE OF
PHARMACY
CLASSROOMS**
776 STEVENS AVENUE, PORTLAND, ME

DATE	DESCRIPTION

Date Issued: 3/1/2009
Project Number: 00518

SHEET NAME:
BUILDING SECTION

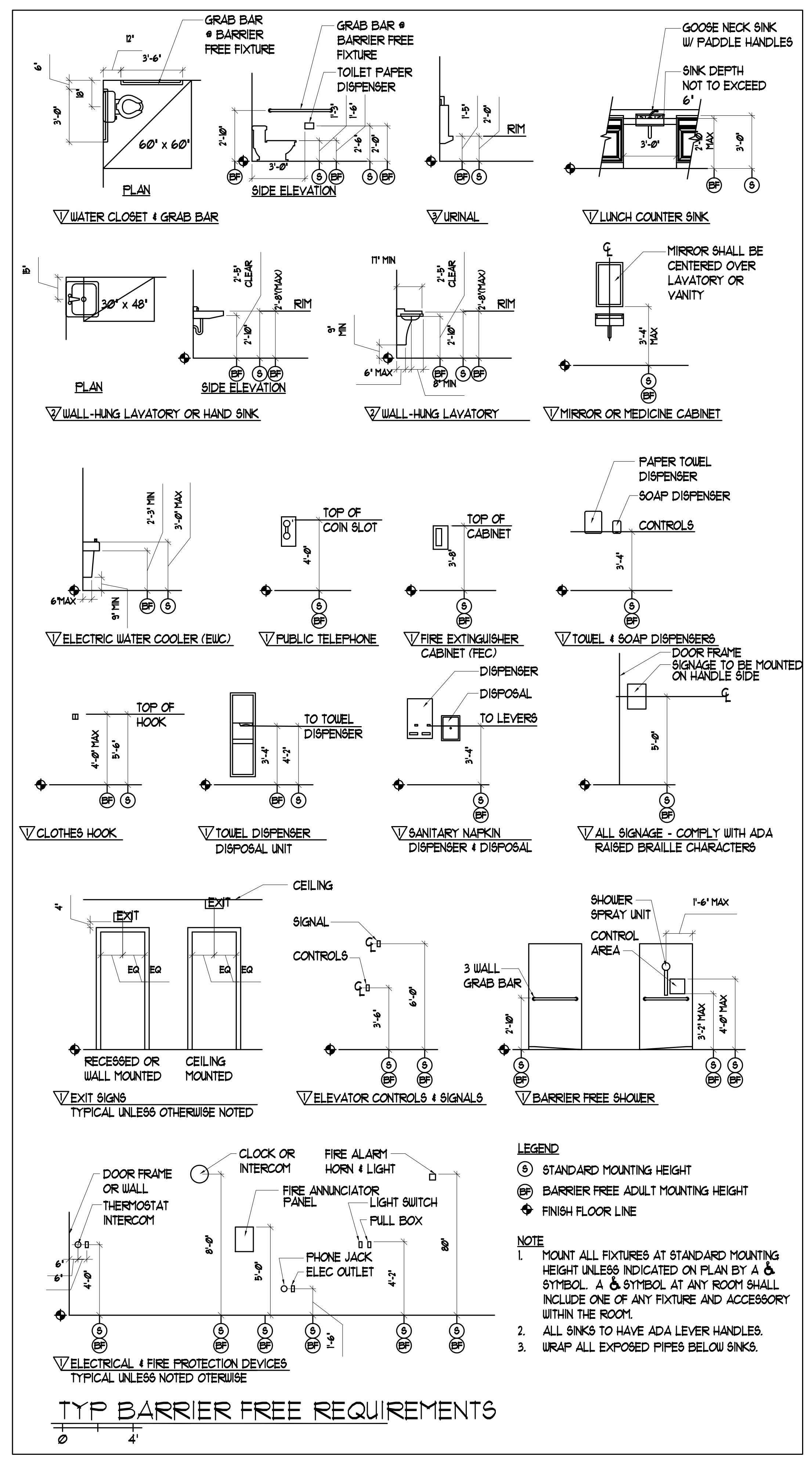
Drawn By: EAC
Checked By: LAS

**LL
A4.1**

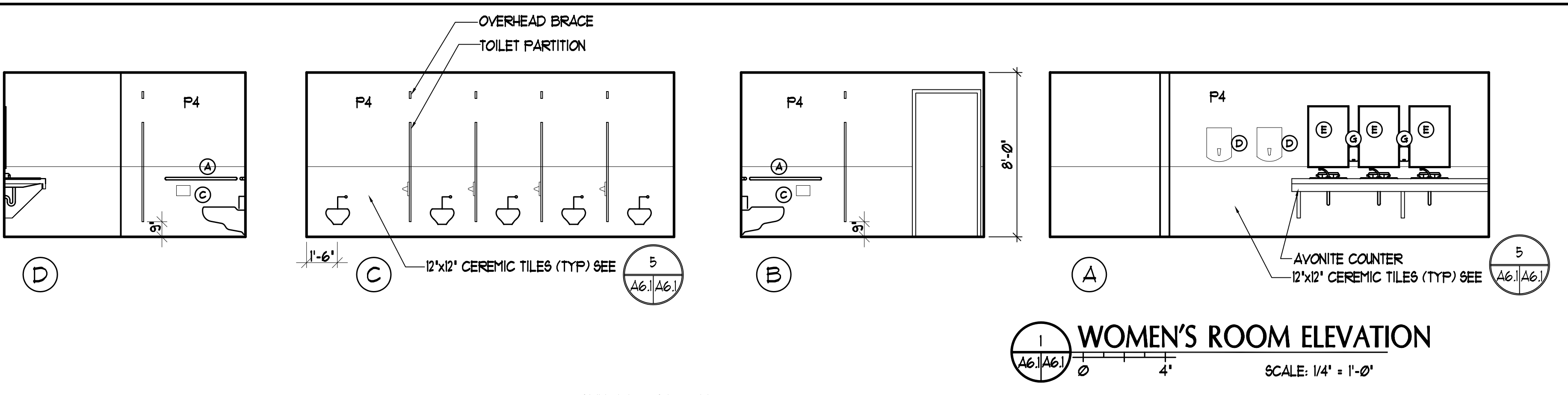
BID DOCUMENTS - NOT FOR CONSTRUCTION

COPYRIGHT: Reuse or reproduction of the contents of this document is not permitted without written permission of PORT CITY ARCHITECTURE PA

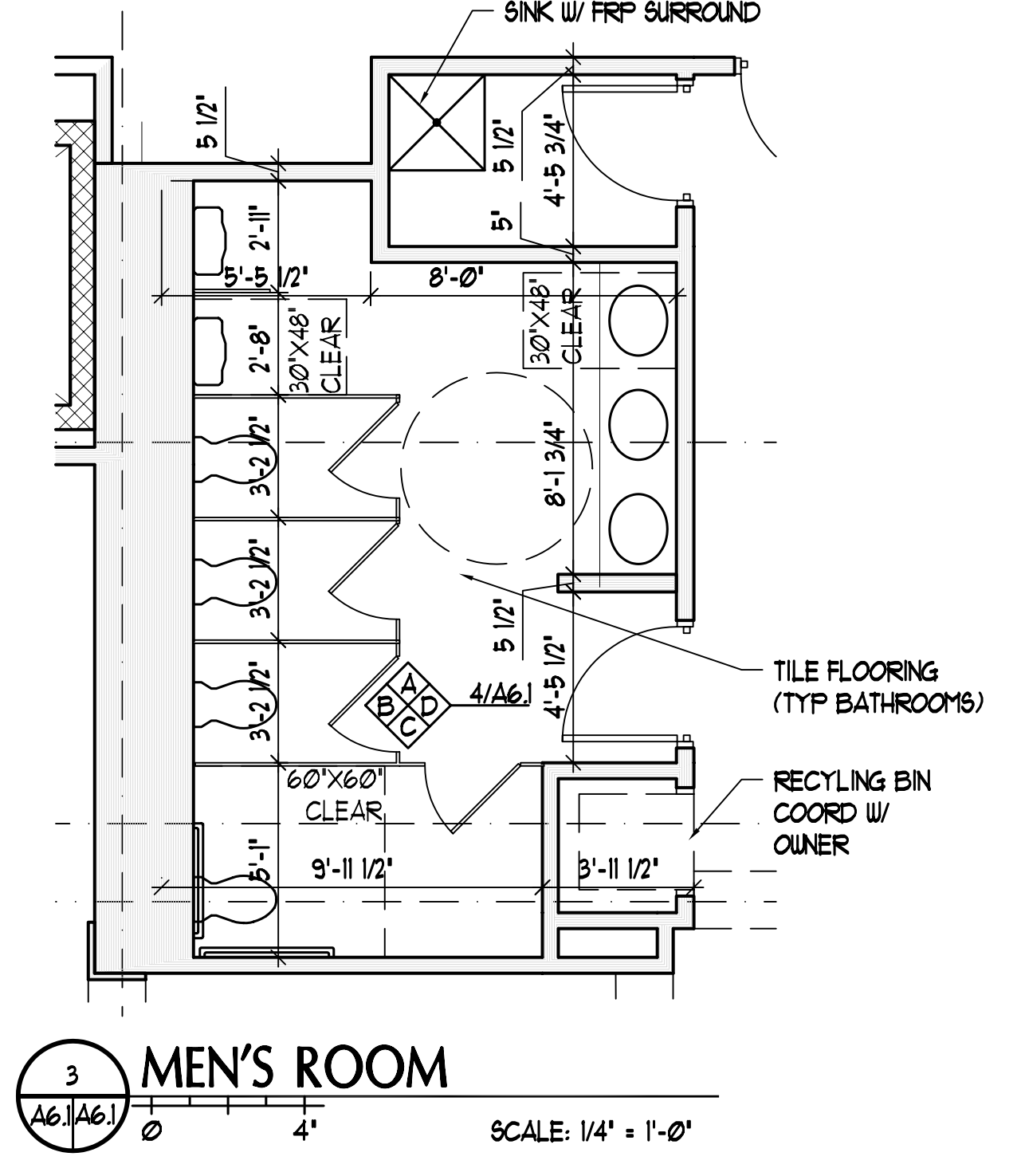
IF THIS SHEET IS NOT 24 X 36 IT IS A REDUCED SCALE PRINT - SCALE ACCORDINGLY



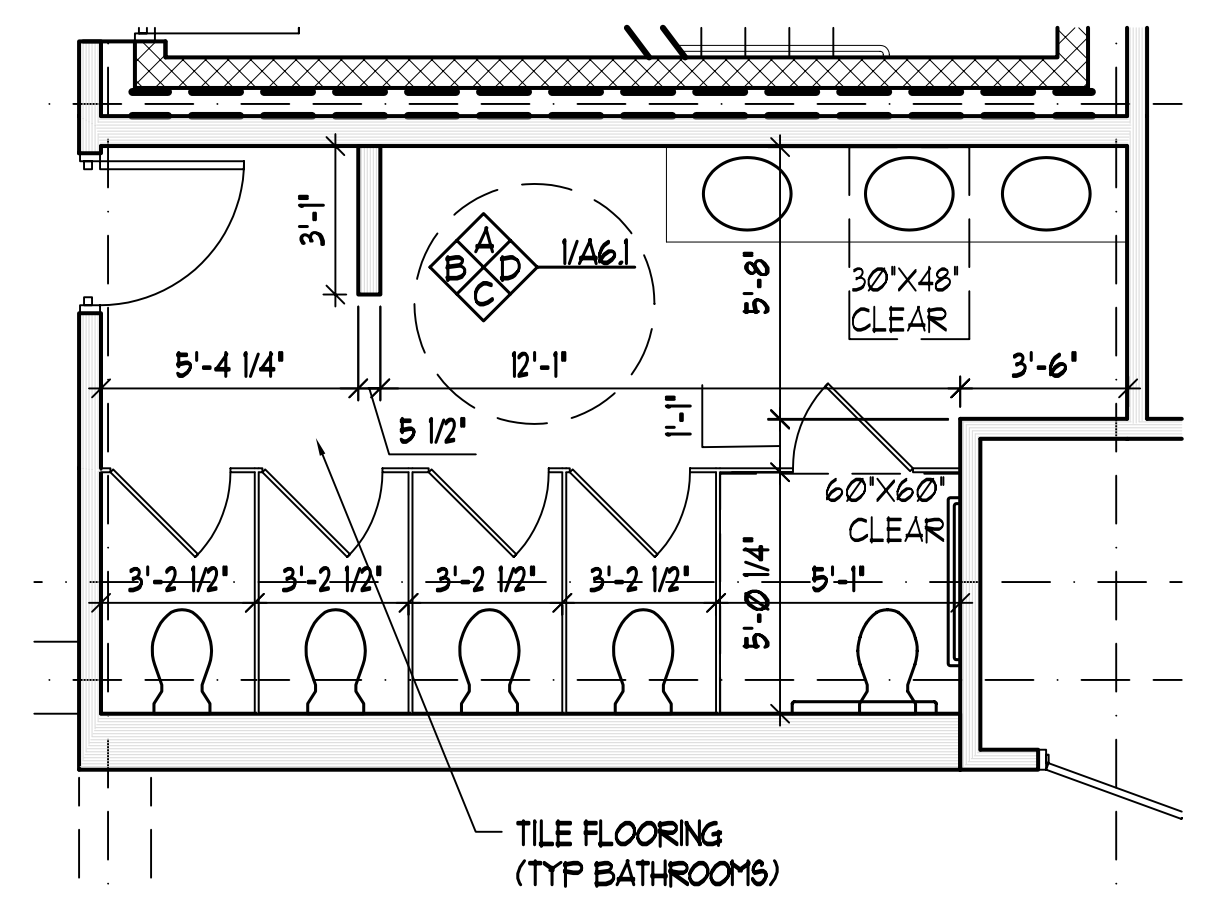
- LEGEND**
- ⊙ STANDARD MOUNTING HEIGHT
 - ⊕ BARRIER FREE ADULT MOUNTING HEIGHT
 - ◆ FINISH FLOOR LINE
- NOTE**
1. MOUNT ALL FIXTURES AT STANDARD MOUNTING HEIGHT UNLESS INDICATED ON PLAN BY A ⊕ SYMBOL. A ⊙ SYMBOL AT ANY ROOM SHALL INCLUDE ONE OF ANY FIXTURE AND ACCESSORY WITHIN THE ROOM.
 2. ALL SINKS TO HAVE ADA LEVER HANDLES.
 3. WRAP ALL EXPOSED PIPES BELOW SINKS.



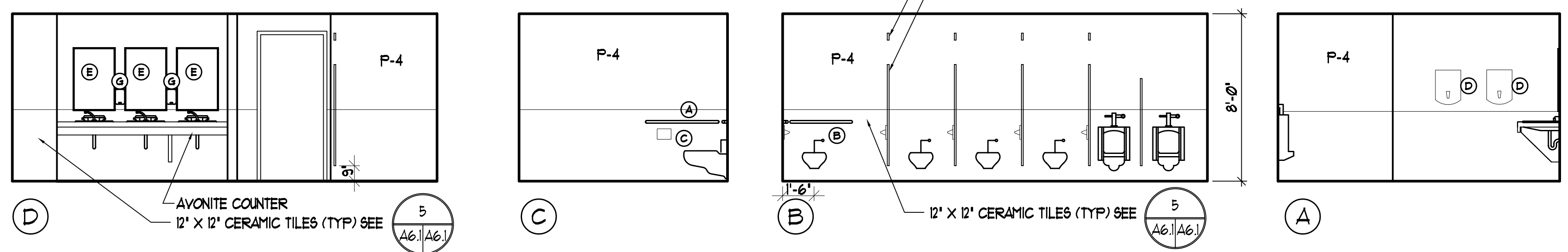
1 WOMEN'S ROOM ELEVATION
SCALE: 1/4" = 1'-0"



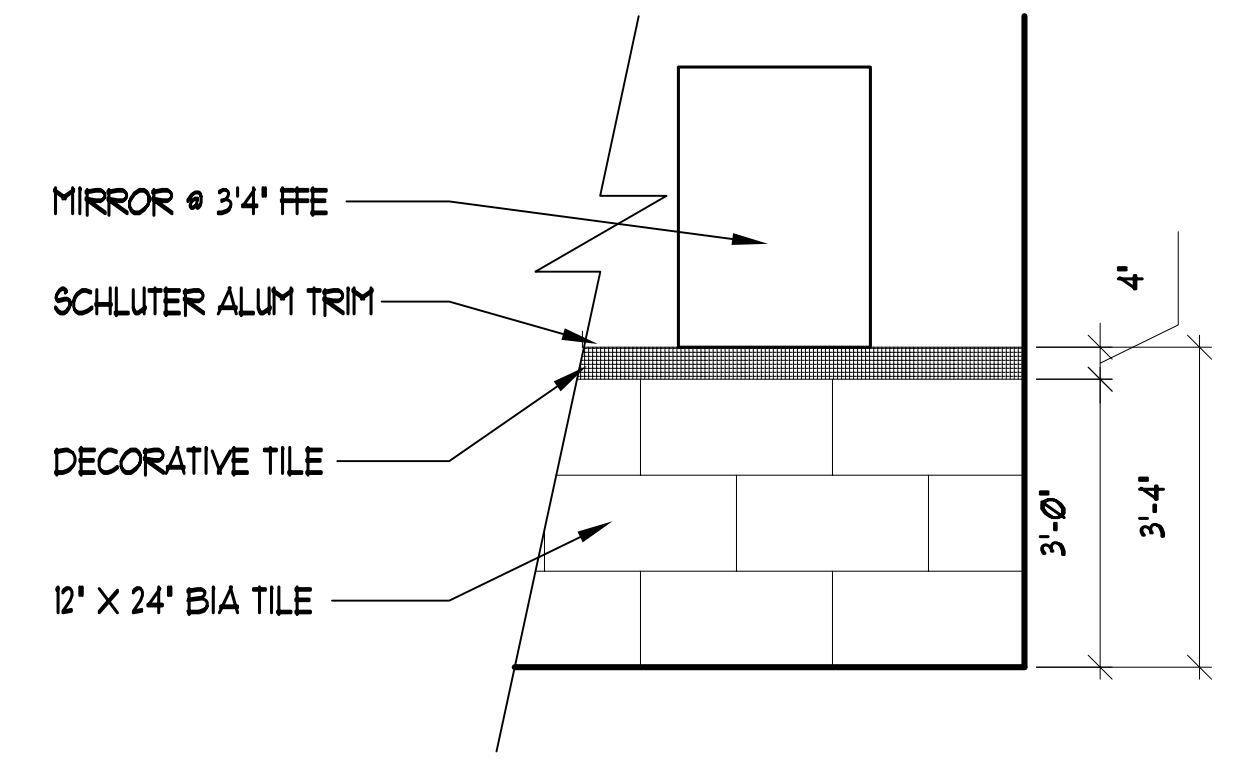
3 MEN'S ROOM
SCALE: 1/4" = 1'-0"



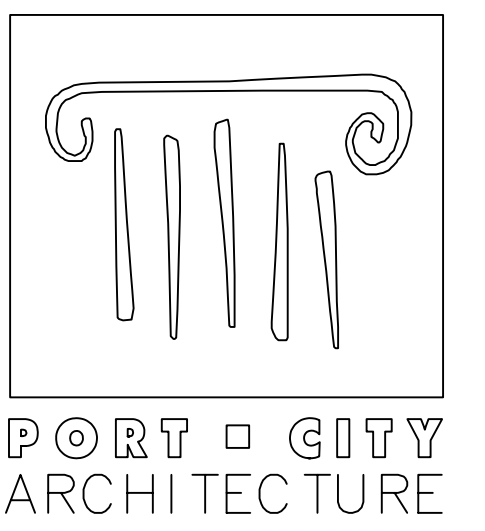
2 WOMEN'S ROOM
SCALE: 1/4" = 1'-0"



4 MEN'S ROOM ELEVATION
SCALE: 1/4" = 1'-0"



5 TILE DETAIL
SCALE: 1/2" = 1'-0"



PORT CITY ARCHITECTURE

65 NEWBURY STREET
PORTLAND, ME 04101
207.761.9000
fax: 207.761.2010
lita@portcityarch.com

**UNIVERSITY OF NEW ENGLAND
COLLEGE OF
PHARMACY
CLASSROOMS**

776 STEVENS AVENUE, PORTLAND, ME

DATE	DESCRIPTION

Date Issued 3/11/2009

Project Number 00518

SHEET NAME
**ADA & BATH
INTERIOR ELV.**

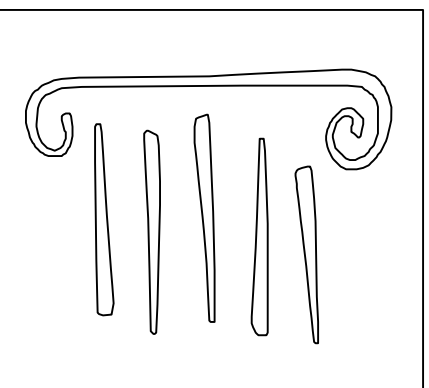
Drawn By
EAC

Checked By
LAS

LL
A6.1

BID DOCUMENTS - NOT FOR CONSTRUCTION

COPYRIGHT: Reuse or reproduction of the contents of this document is not permitted without written permission of PORT CITY ARCHITECTURE PA



PORT CITY ARCHITECTURE

65 NEWBURY STREET
PORTLAND, ME 04101
207.761.9000
fax: 207.761.2010
lita@portcityarch.com



UNIVERSITY OF NEW ENGLAND
COLLEGE OF
PHARMACY
CLASSROOMS

776 STEVENS AVENUE, PORTLAND, ME

DATE	DESCRIPTION
------	-------------

Date Issued 3/11/2009

Project Number 08518

SHEET NAME

INTERIOR ELEV.

Drawn By

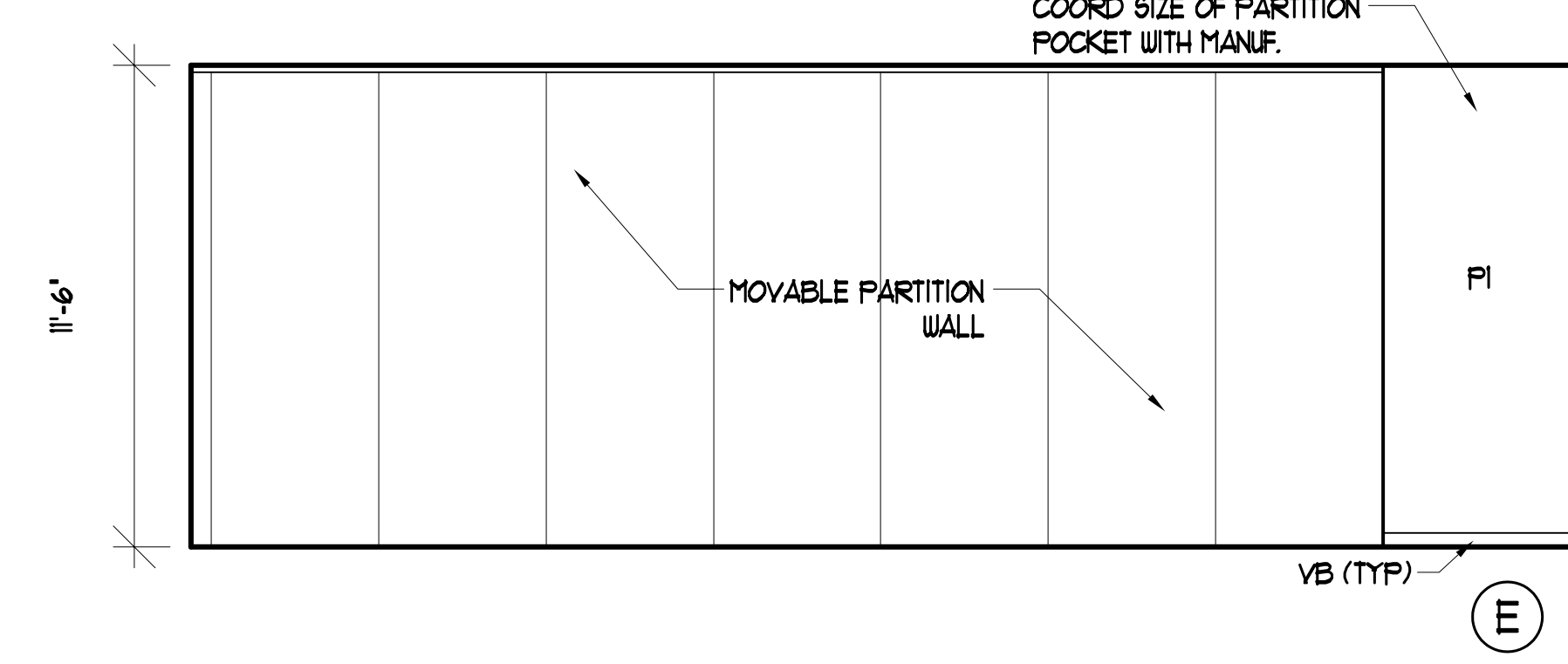
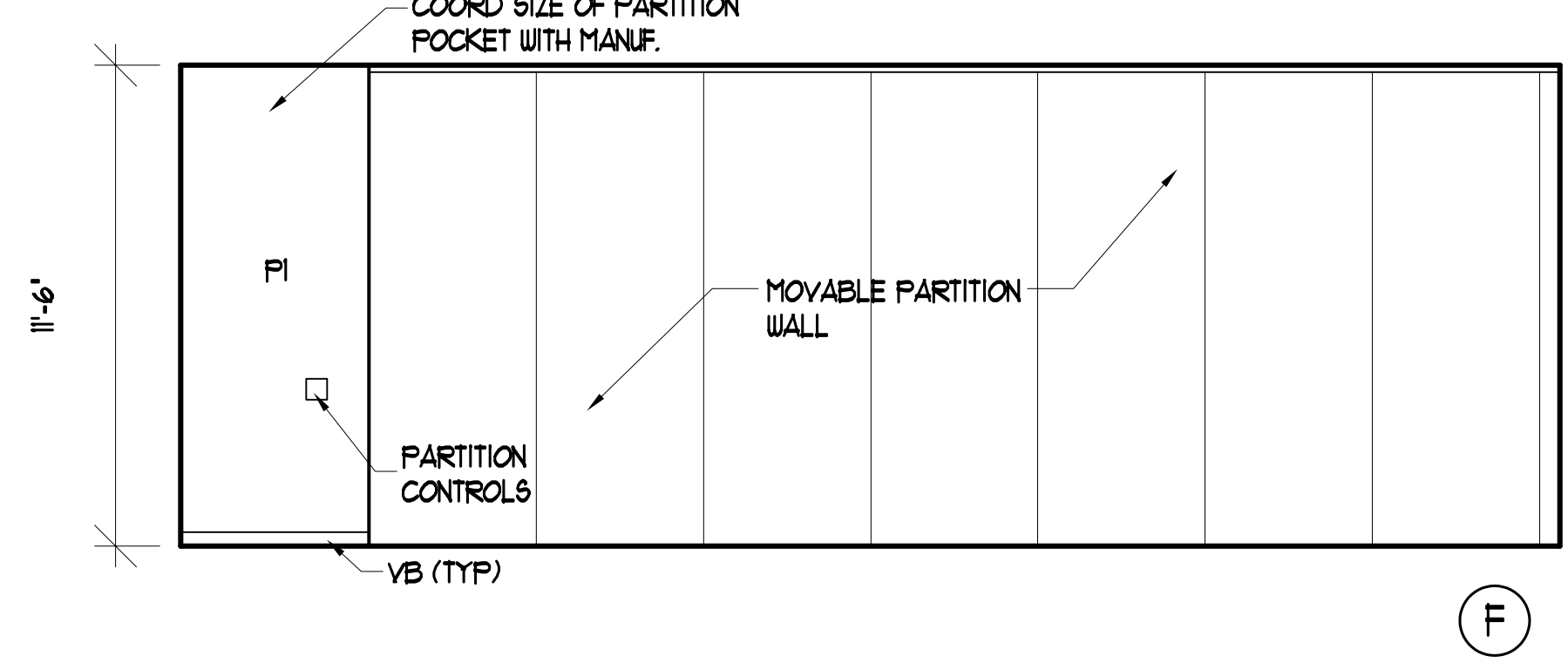
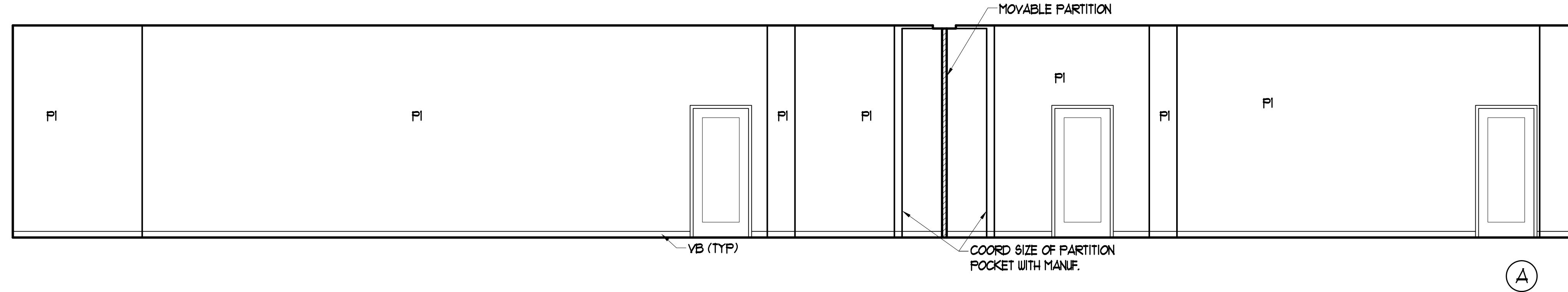
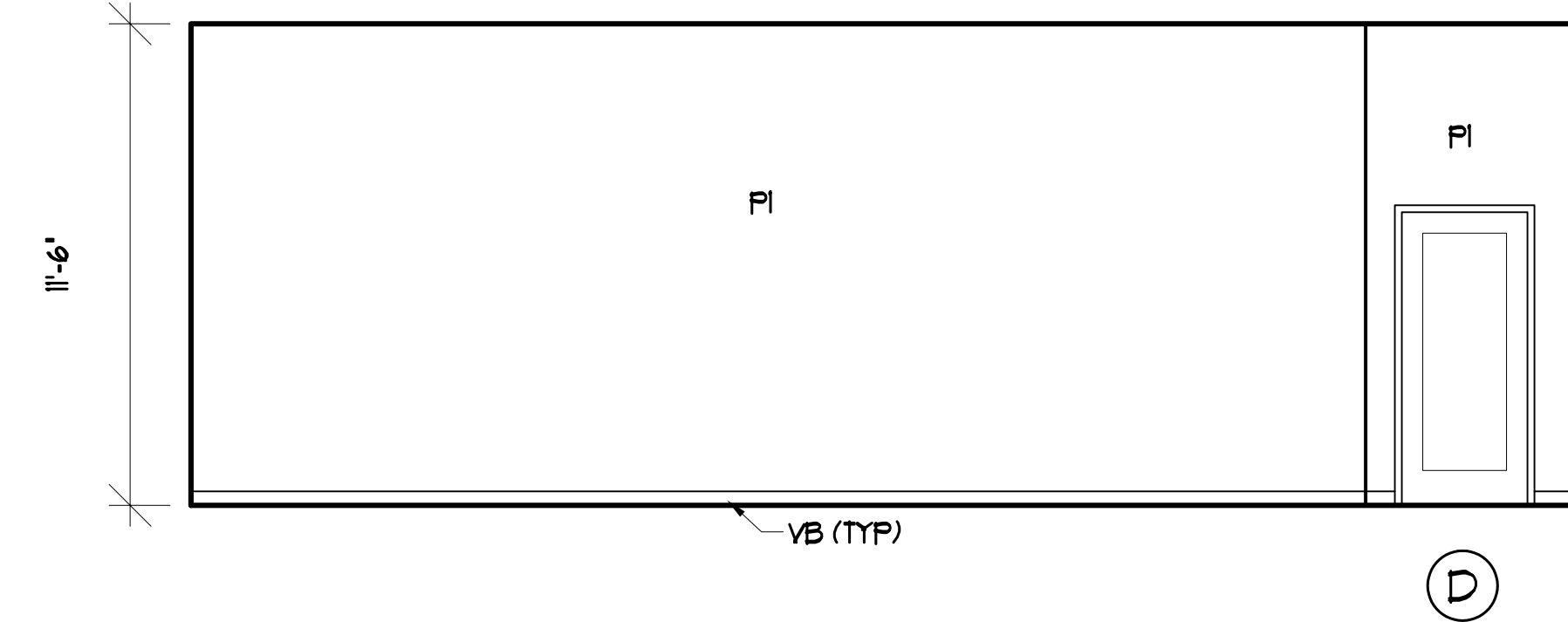
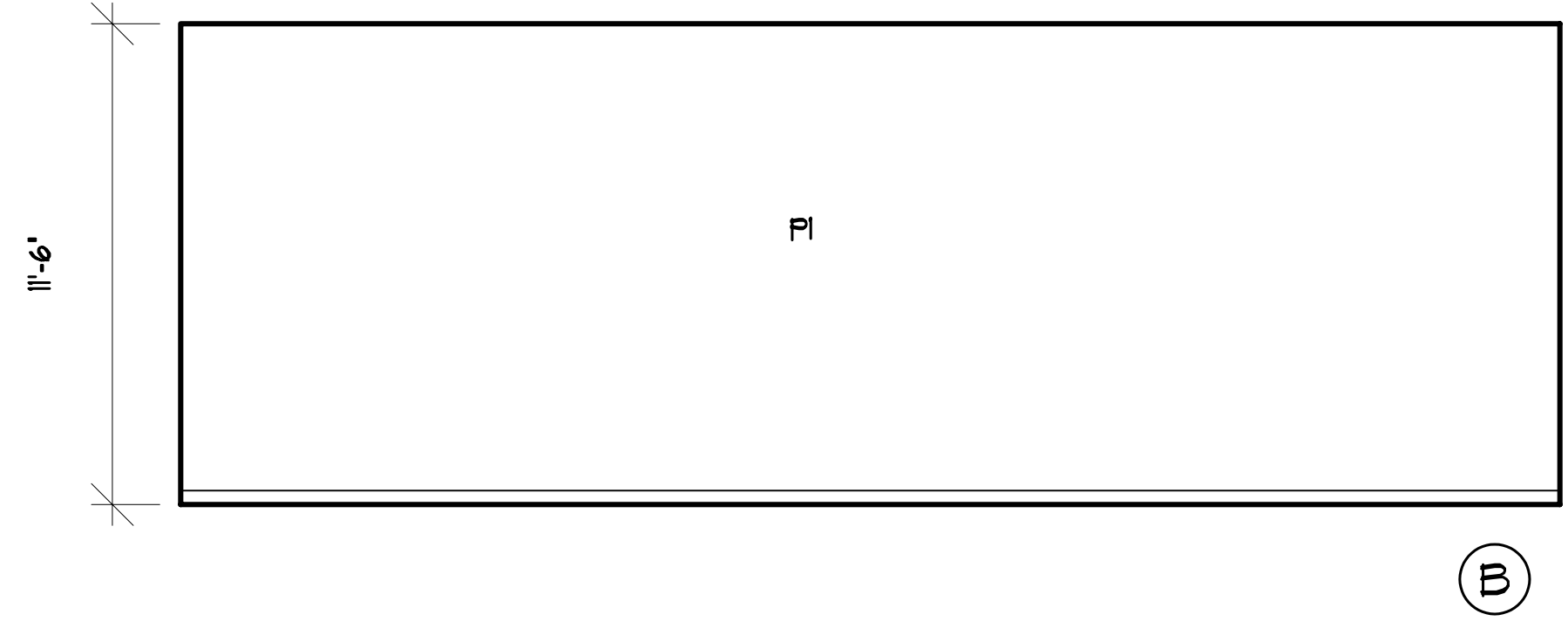
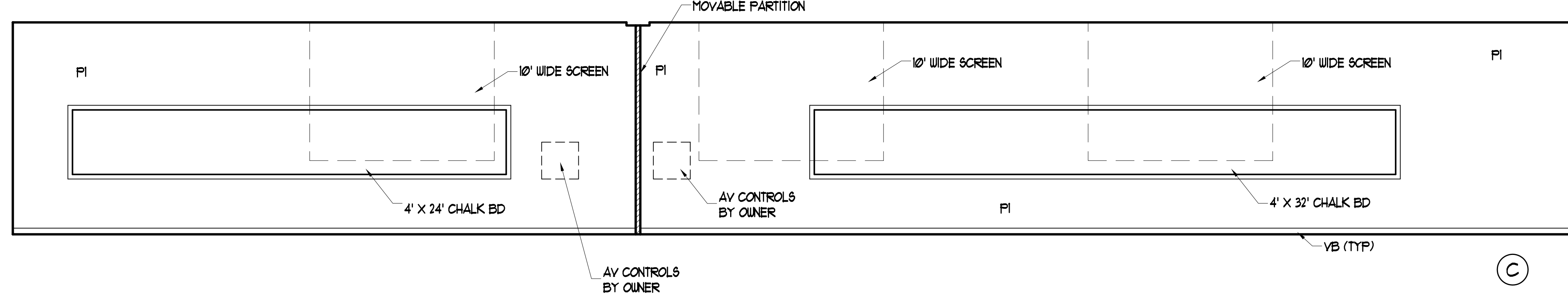
EAC

Checked By

LAS

LL

A6.2



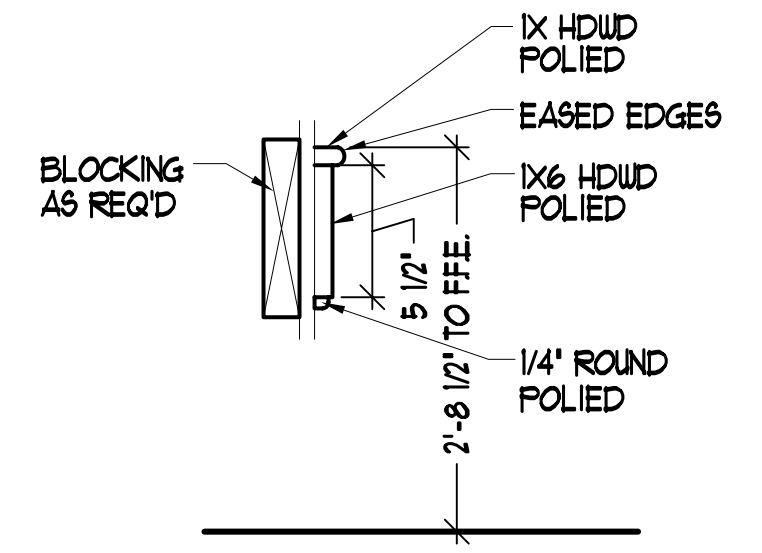
CLASSROOM ELEVATIONS
SCALE: 1/4" = 1'-0"

BID DOCUMENTS - NOT FOR CONSTRUCTION

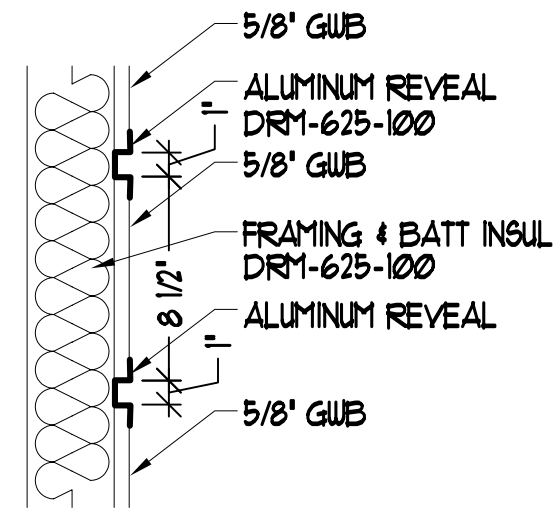
COPYRIGHT: Reuse or reproduction of the contents of this document is not permitted without written permission of PORT CITY ARCHITECTURE PA

IF THIS SHEET IS NOT 24 X 36 IT IS A REDUCED SCALE PRINT - SCALE ACCORDINGLY

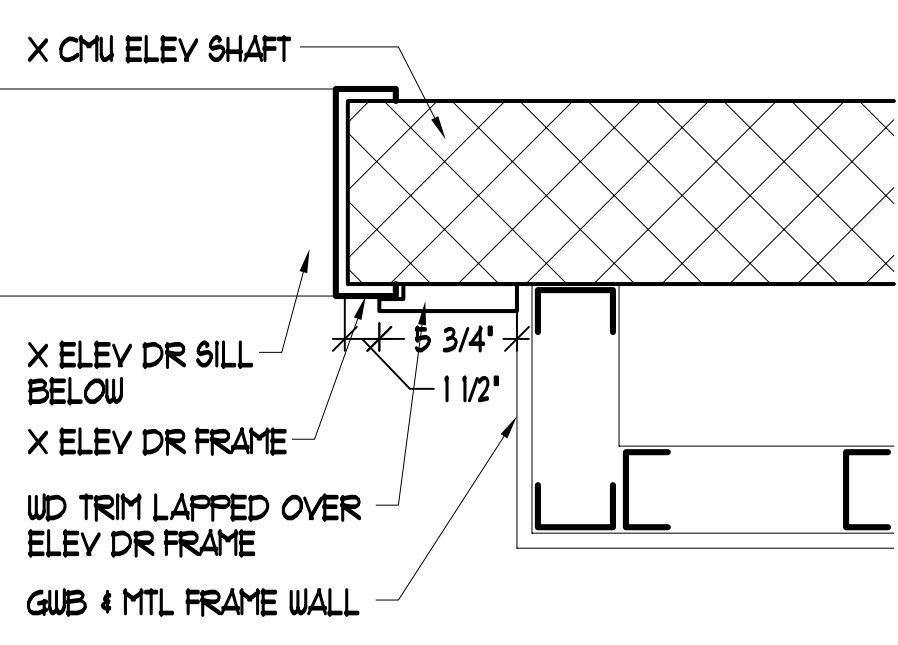
IF THIS SHEET IS NOT 24 X 36 IT IS A REDUCED SCALE PRINT - SCALE ACCORDINGLY



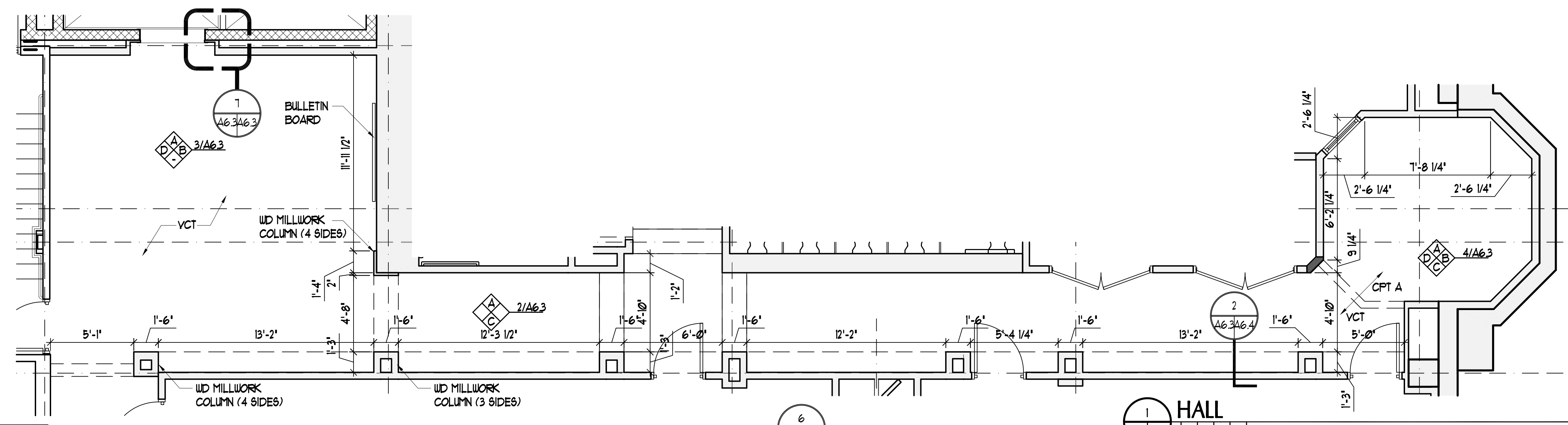
5 CHAIR RAIL DETAIL
 SCALE: 1 1/2" = 1'-0"



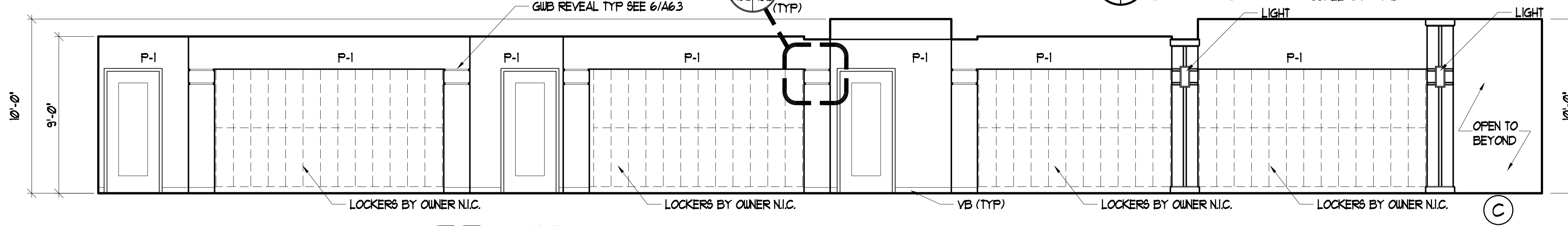
6 GWB REVEAL DETAIL
 SCALE: 1 1/2" = 1'-0"



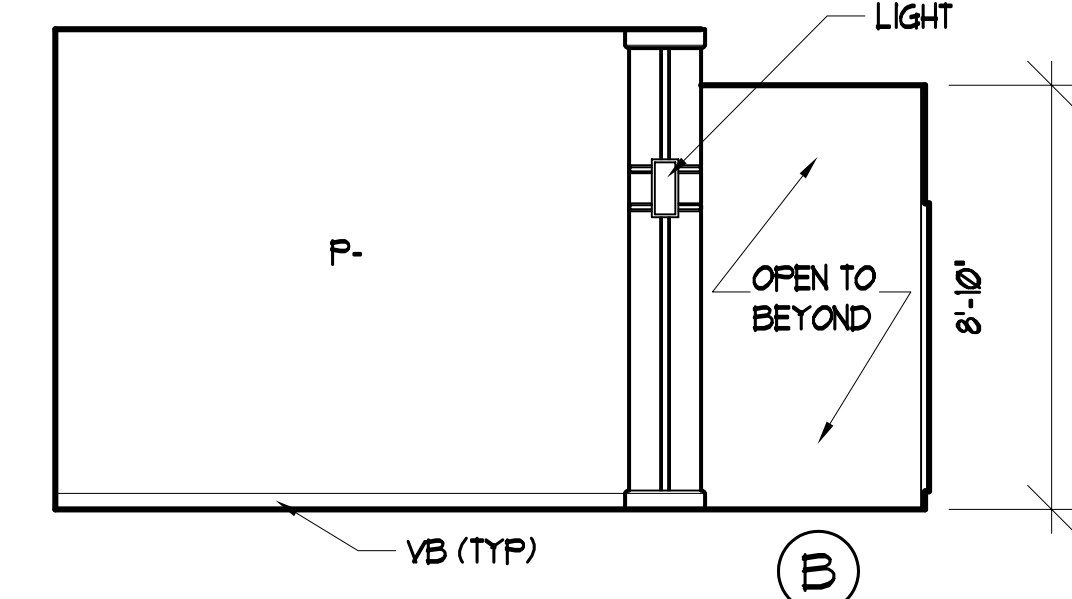
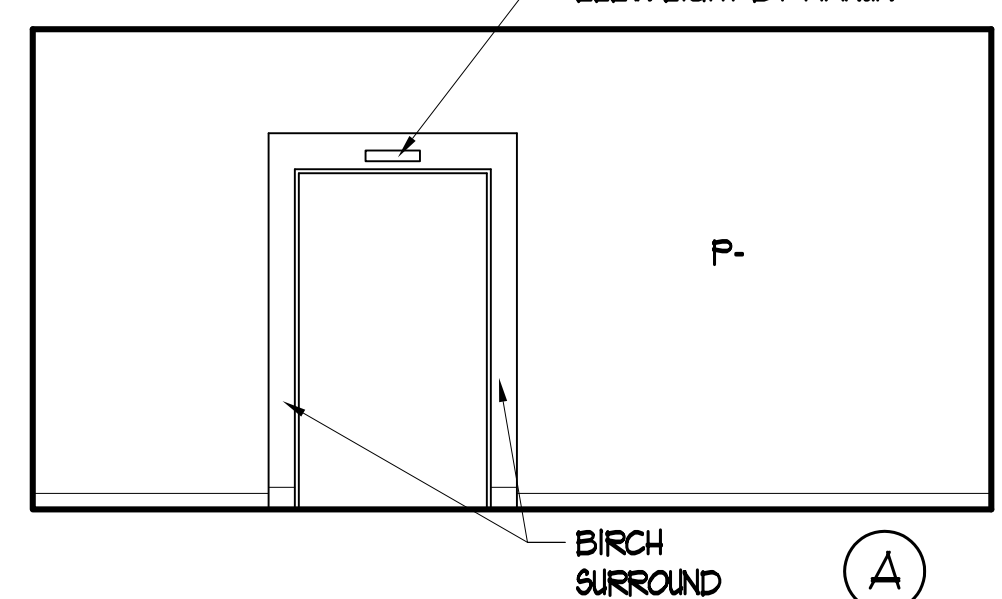
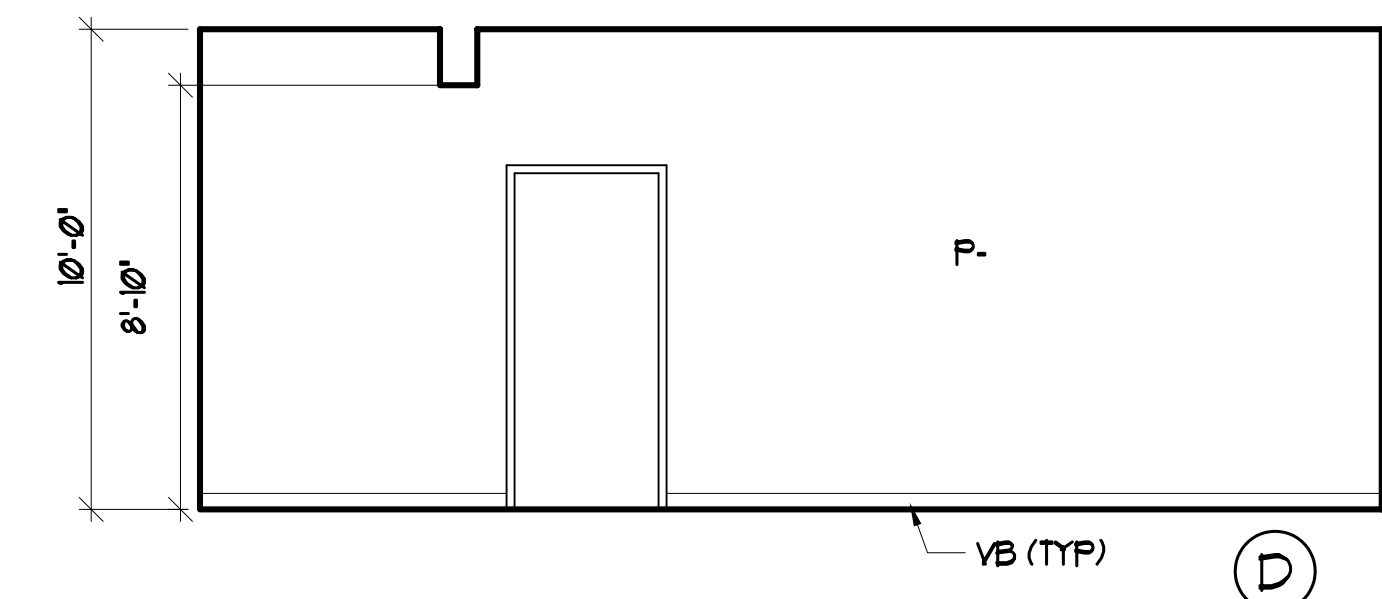
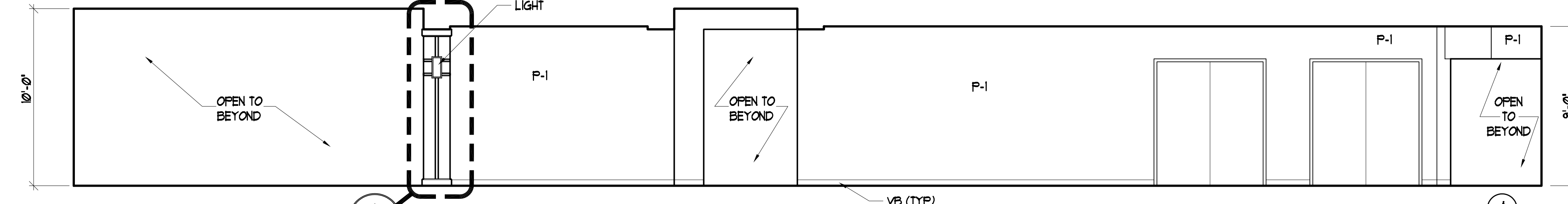
1 ELEV DOOR FRAME DETAIL
 SCALE: 1 1/2" = 1'-0"



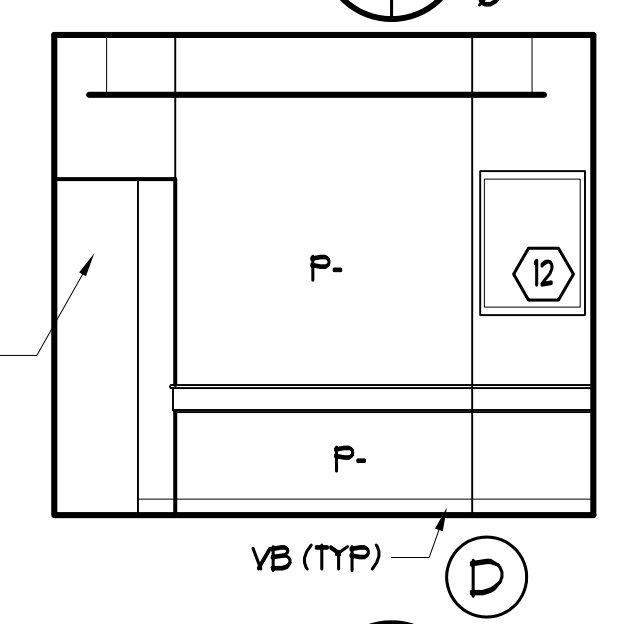
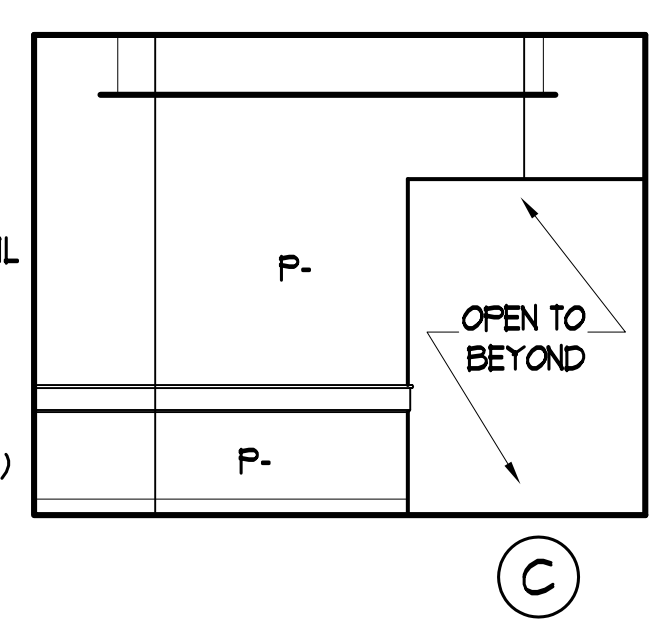
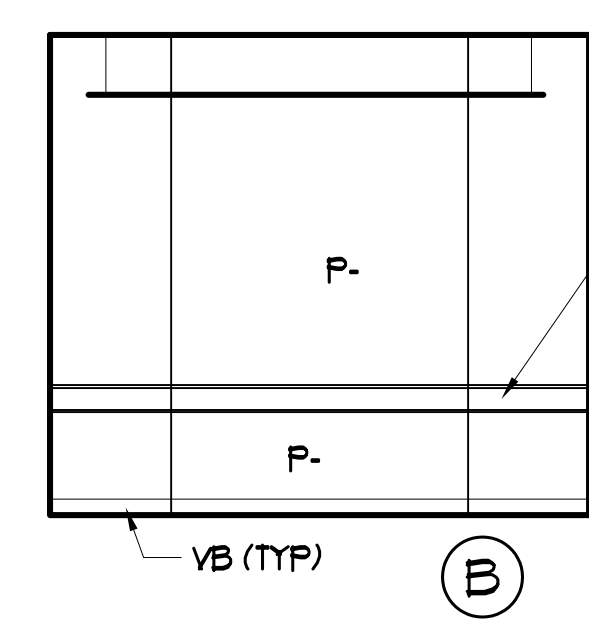
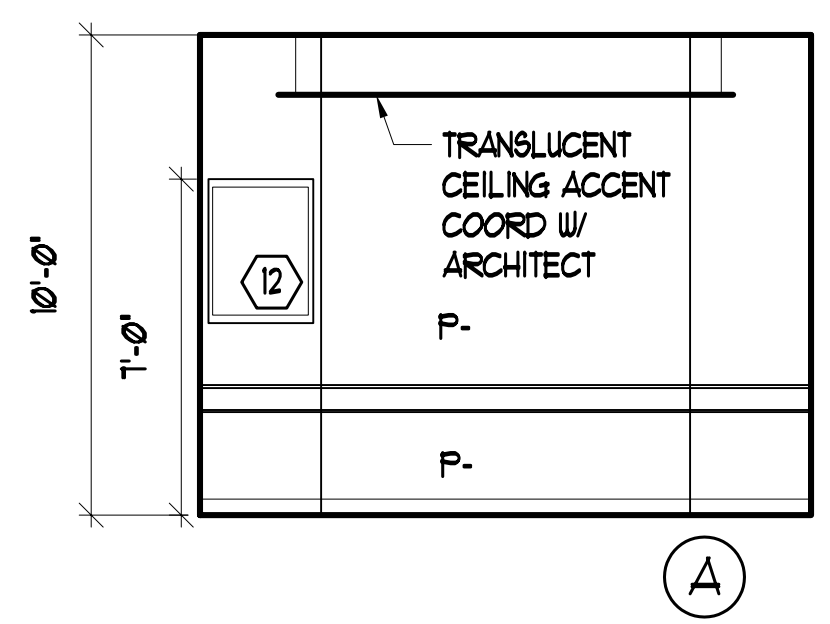
1 HALL
 SCALE: 1/4" = 1'-0"



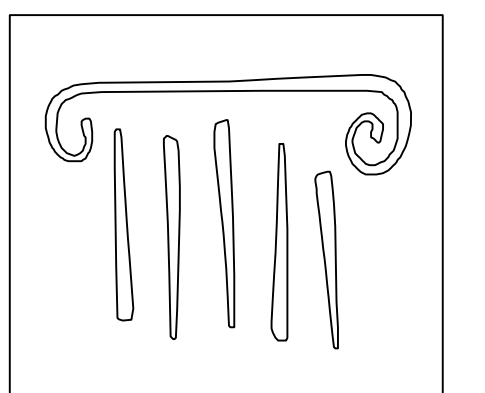
2 HALL ELEVATIONS
 SCALE: 1/4" = 1'-0"



3 LOBBY ELEVATIONS
 SCALE: 1/4" = 1'-0"



4 STUDY ROOM ELEVATIONS
 SCALE: 1/4" = 1'-0"



PORT CITY ARCHITECTURE

65 NEWBURY STREET
 PORTLAND, ME 04101
 207.761.9000
 fax: 207.761.2010
 lita@portcityarch.com

**UNIVERSITY OF NEW ENGLAND
 COLLEGE OF
 PHARMACY
 CLASSROOMS**

76 STEVENS AVENUE, PORTLAND, ME

DATE	DESCRIPTION

Date Issued 3/1/2009
 Project Number 08518

SHEET NAME

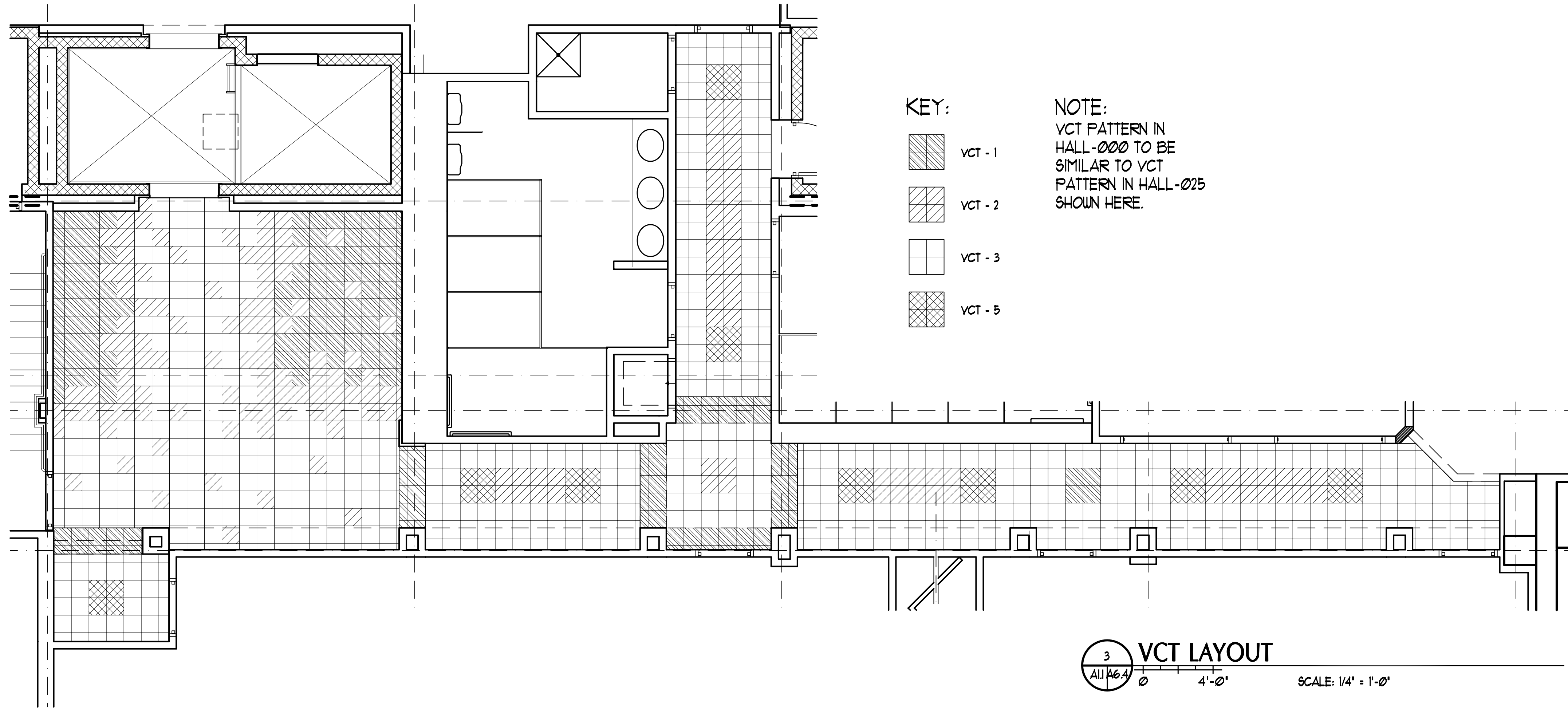
INTERIOR ELEV.

Drawn By EAC LL
 Checked By LAS A6.3

BID DOCUMENTS - NOT FOR CONSTRUCTION

COPYRIGHT: Reuse or reproduction of the contents of this document is not permitted without written permission of PORT CITY ARCHITECTURE PA

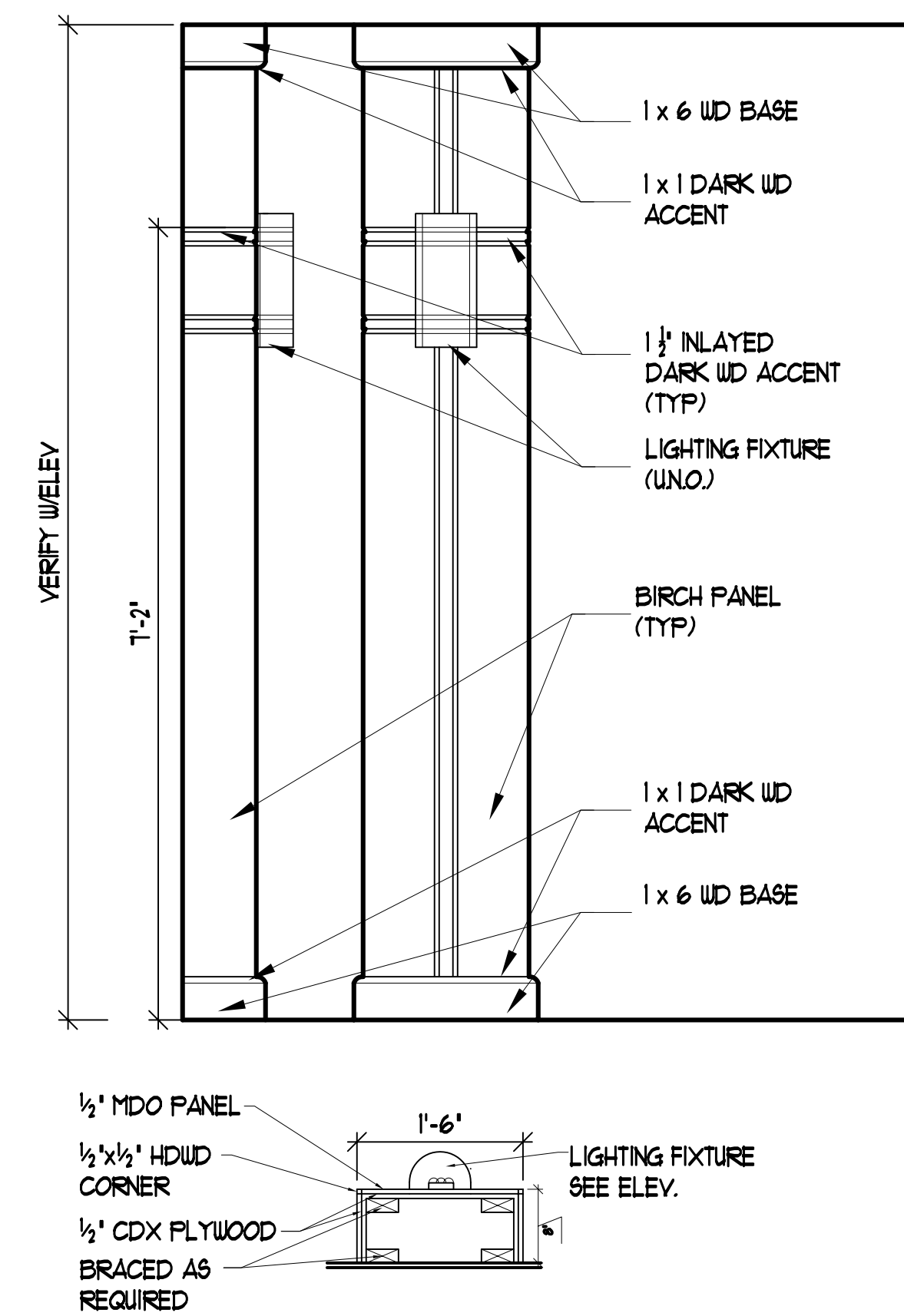
IF THIS SHEET IS NOT 24 X 36 IT IS A REDUCED SCALE PRINT - SCALE ACCORDINGLY



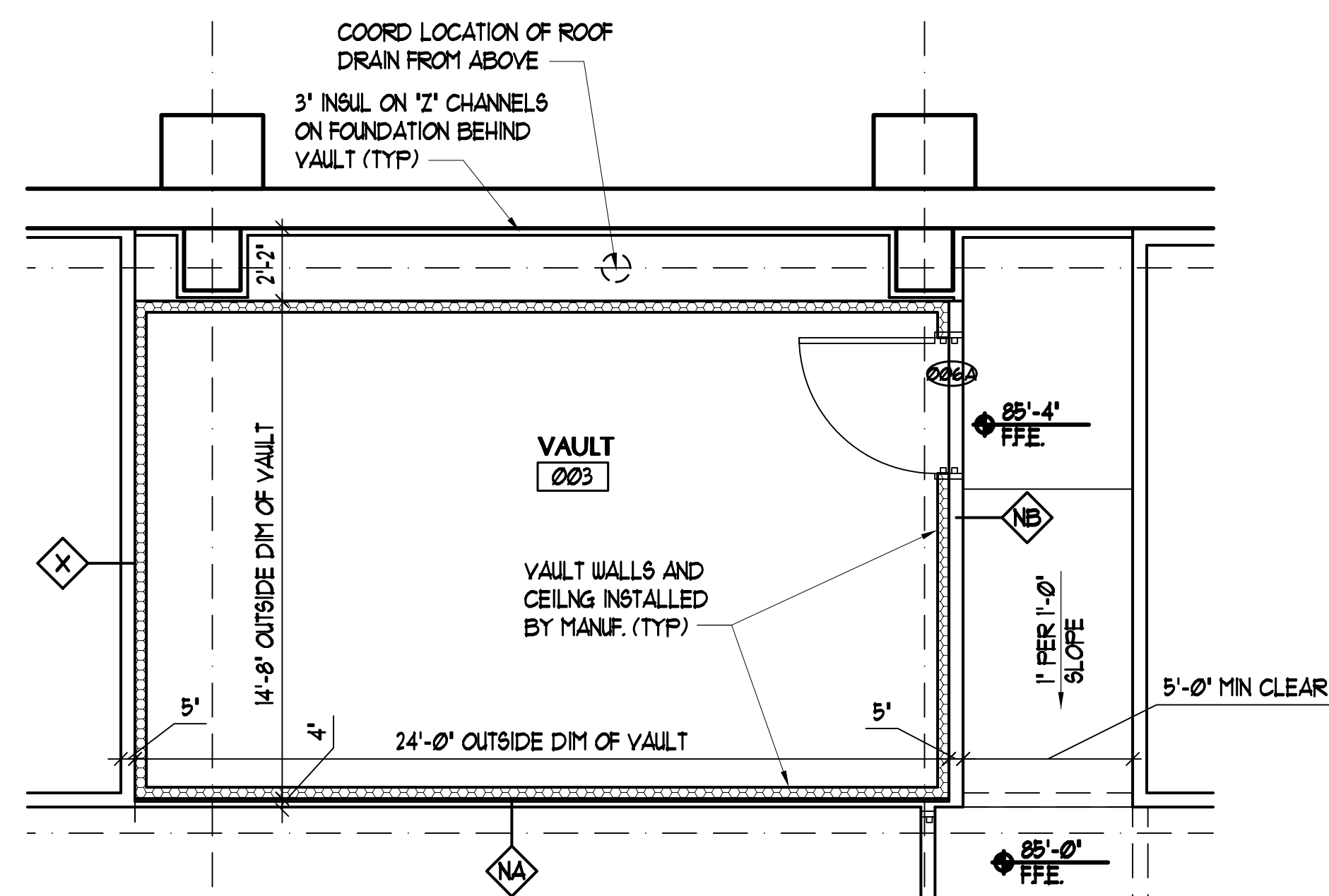
- KEY:
- VCT - 1
 - VCT - 2
 - VCT - 3
 - VCT - 5

NOTE:
VCT PATTERN IN HALL-000 TO BE SIMILAR TO VCT PATTERN IN HALL-025 SHOWN HERE.

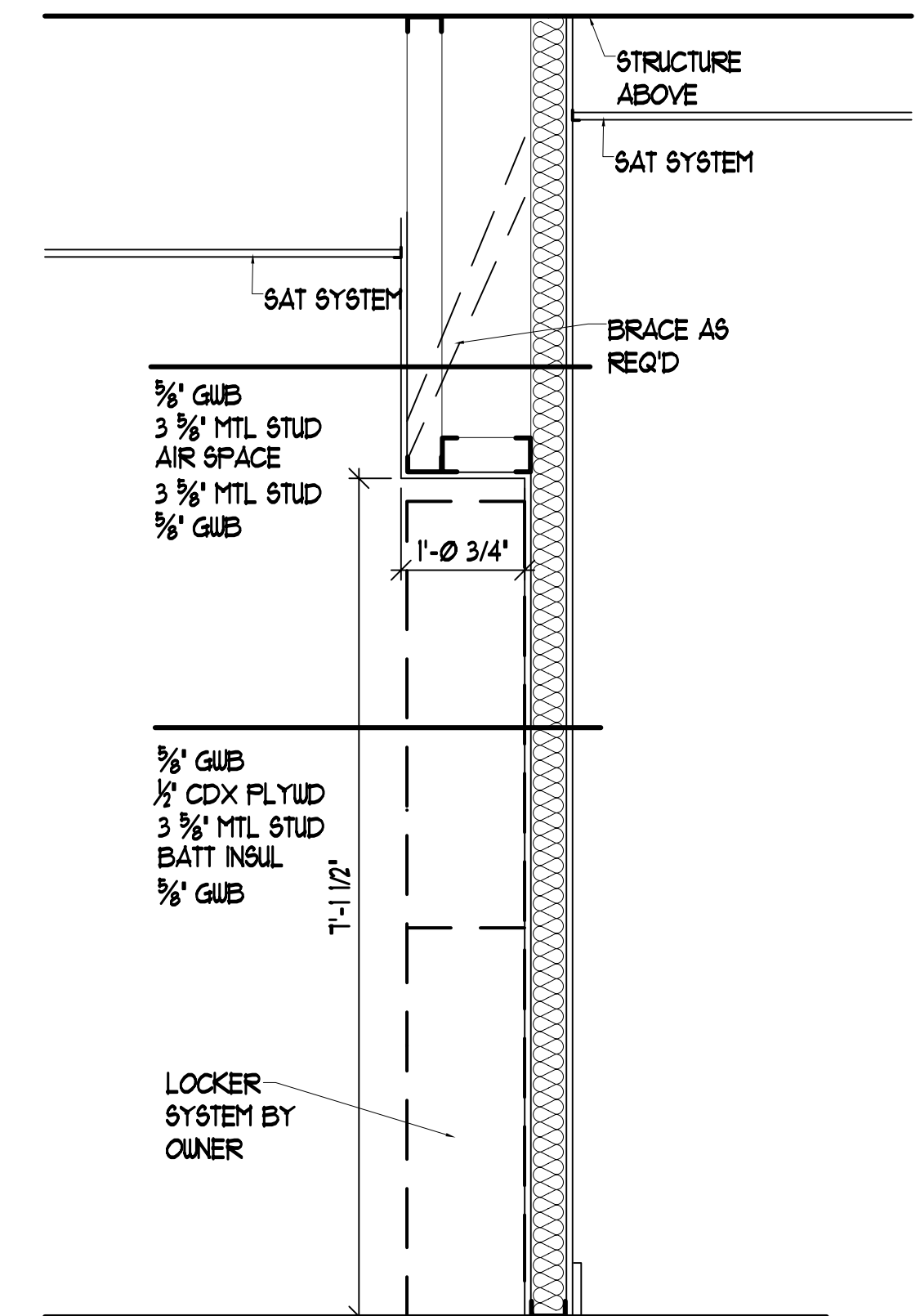
3 VCT LAYOUT
SCALE: 1/4" = 1'-0"



1 COLUMN ELEVATION
SCALE: 3/4" = 1'-0"



4 VAULT DETAIL PLAN
SCALE: 1/4" = 1'-0"



2 LOCKER DETAIL
SCALE: 3/4" = 1'-0"

PORT CITY ARCHITECTURE

65 NEWBURY STREET
PORTLAND, ME 04101
207.761.9000
fax: 207.761.2010
lita@portcityarch.com

UNIVERSITY OF NEW ENGLAND
COLLEGE OF PHARMACY CLASSROOMS
776 STEVENS AVENUE, PORTLAND, ME

DATE	DESCRIPTION

Date Issued 3/1/2009
Project Number 08518

SHEET NAME

INTERIOR ELEV.

Drawn By EAC
Checked By LAS
LL
A6.4

BID DOCUMENTS - NOT FOR CONSTRUCTION

COPYRIGHT: Reuse or reproduction of the contents of this document is not permitted without written permission of PORT CITY ARCHITECTURE PA

IF THIS SHEET IS NOT 24 X 36 IT IS A REDUCED SCALE PRINT - SCALE ACCORDINGLY



ROOM FINISH SCHEDULE

Num	Description	Floors			Wainscott		Walls								Ceiling		Notes	
		Floor	Color(s)	Base	Mat	Height	N	Finish	E	Finish	S	Finish	W	Finish	Mat	Height		
000	Hall	VCT		VB			GWB	PTD	GWB	PTD	GWB	PTD	GWB	PTD	SAT1	9'-0"		
001	Stair A	x					x		x		x		x					
002	Waste	x					x		x		x		x					
003	Vault	VCT	1&2	VB			STRU	C	-	STRU	C	-	STRU	C	-	STRU	CT	B, D
004	NOT USED																	
005	LER	VCT	1&2	VB			GWB	PTD 1	GWB	PTD 1	GWB	PTD 1	GWB	PTD 1	SAT2	VARIES	D	
006	Prep Room	VCT	1&2	VB			GWB	PTD 1	GWB	PTD 1	GWB	PTD 1	GWB	PTD 1	SAT2	9'-6"	D	
007	Clean Room	EPOXY		EPOXY			FRP	-	FRP	-	FRP	-	FRP	-	FRP	10'-6"		
008	NOT USED																	
009	NOT USED																	
010	Data	x																
011	Plumb	x																
012	Stair B	x																
013	HW	x																
014	CW	x																
015	EMR	x																
016	AHU Room	x																
017	Elec I	x																
018	Elec II	x																
019	Elev	x																
020	Elev	x																
021	Janitor	VCT		VB			GWB	PTD 1	GWB	PTD 1	GWB	PTD 1	GWB	PTD 1	STRU	CT	-	
022	Hall	VCT	1,2,3,5	VB			GWB	PTD	GWB	PTD	GWB	PTD	GWB	PTD	SAT 1	9'-0"		
023	Lobby	VCT	1,2,3,5	VB			GWB	PTD	GWB	PTD	GWB	PTD	GWB	PTD	SAT 1	10'-0"		
024	Classroom	CPT	C	VB			GWB	PTD	GWB	PTD	GWB	PTD	GWB	PTD	SAT 1	11'-6"		
025	Hall	VCT	1,2,3,5	VB			GWB	PTD	GWB	PTD	GWB	PTD	GWB	PTD	SAT 1	9'-0"		
026	Men	TILE		TILE			TILE		GWB	PTD	GWB	PTD	GWB	PTD	GWB	PTD	GWB	8'-0"
027	Women	TILE		TILE			TILE		GWB	PTD	GWB	PTD	GWB	PTD	GWB	PTD	GWB	8'-0"
028	Classroom	CPT	C	VB			GWB	PTD	GWB	PTD	GWB	PTD	GWB	PTD	SAT 1	11'-6"		
029	Storage	VCT		VB			GWB	PTD	GWB	PTD	GWB	PTD	GWB	PTD	SAT 1	9'-0"		
030	Study	CPT	A	VB			GWB	PTD	GWB	PTD	GWB	PTD	GWB	PTD	SAT 1	10'-0"	C	
055	Stair	x					x		x		x		x					

NOTES:
 A. Seal Conc Floor
 B. Vault to be installed by other
 C. Chair Rail
 D. VCT to be checker-board pattern

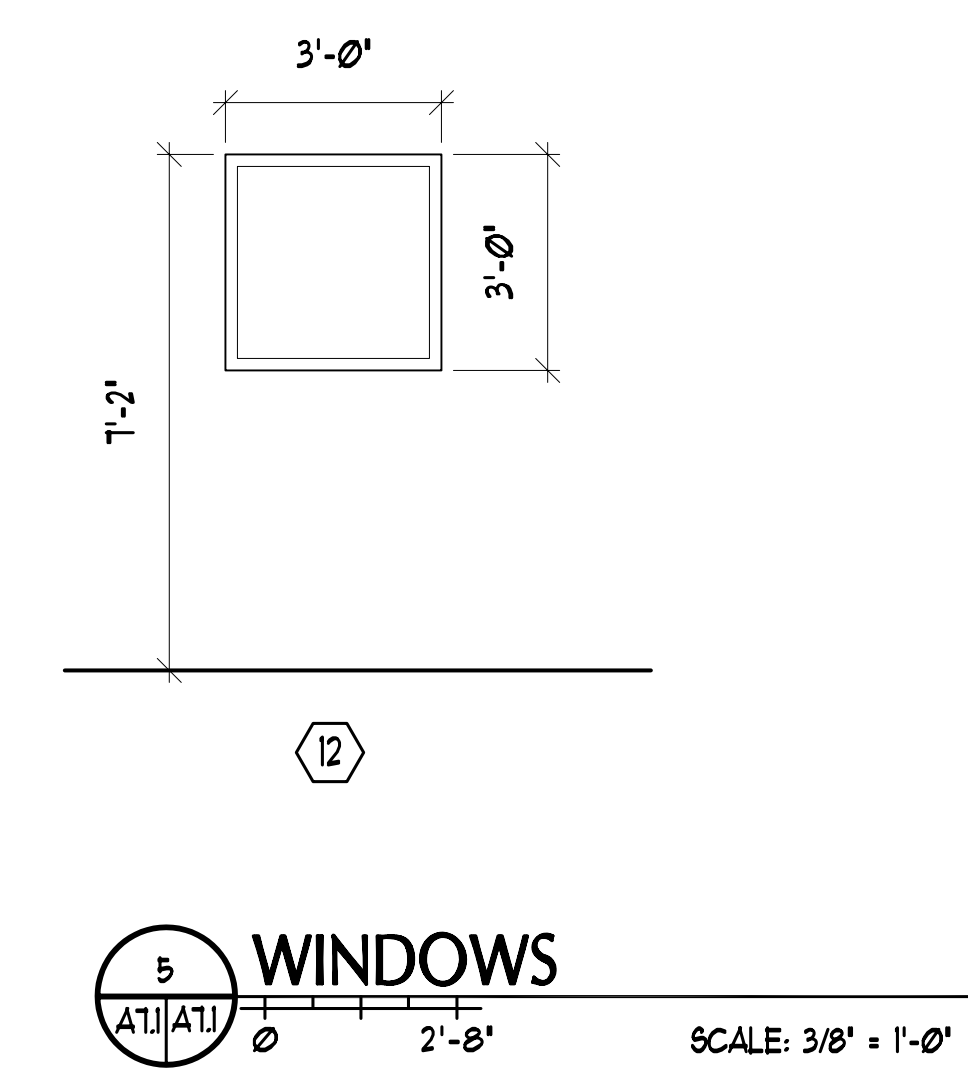
DOOR SCHEDULE

Num	Description	Size	Door		Rating	Frame	Note
			Mat	Type			
000A	Hall to Hall	3'0" x 7'0"	WD	9	N/A	MTL	B
003A	Lab to Vault	42"x78"					A
005A	Hall To LER	3'0" x 7'0" & 1'6" x 7'0"	WD	13	N/A	MTL	B
007A	LER to Fill Room	3'0" x 7'0" & 1'6" x 7'0"	WD	13	N/A	MTL	B
012A	Stair to Hall	Existing					B
021A	Hall to Janitor	3'0" x 7'0"	WD	5	N/A	MTL	
024A	Hall to Classroom	3'0" x 7'0"	WD	3	N/A	MTL	
024B	Hall to Classroom	3'0" x 7'0"	WD	3	N/A	MTL	
026A	Hall to Men	3'0" x 7'0"	WD	5	N/A	MTL	
027A	Hall to Women	3'0" x 7'0"	WD	5	N/A	MTL	
028A	Hall to Classroom	3'0" x 7'0"	WD	3	N/A	MTL	
028B	Hall to Classroom	3'0" x 7'0"	WD	3	N/A	MTL	
029A	Hall to Storage	(2) 3'6" x 7'0"	WD	6	N/A	MTL	
029B	Hall to Storage	(2) 3'6" x 7'0"	WD	6	N/A	MTL	

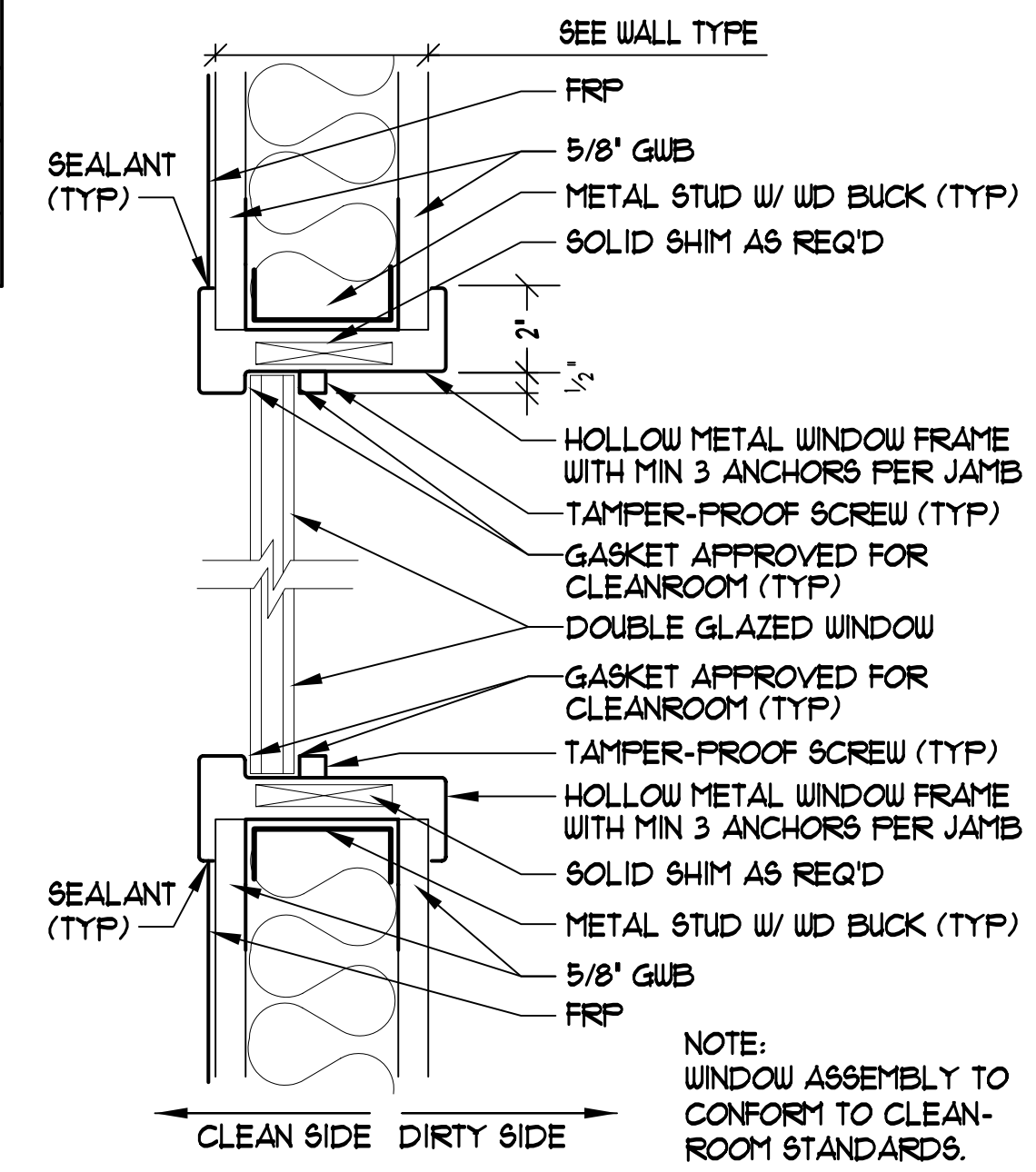
NOTES:
 A. Provided by Manufacturer
 B. Provide security swipe card.
 C. Automatic door opener
 D. Sliding
 E. ADD ALT #
 F. Overhead door
 G. Provide blocking for future door - see add alter
 H. MTL door frame only
 J. Provide red film at door window
 K. Undercut doors 3/4"
 L. Provide Blue Light and 2-way Radio

WINDOW SCHEDULE

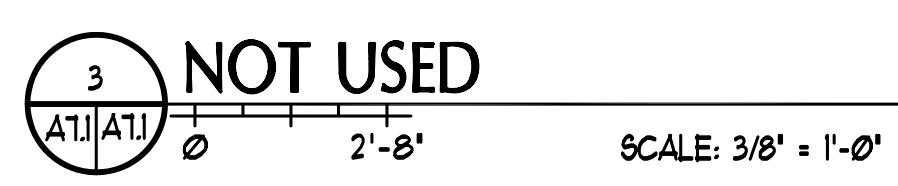
TYPE	SIZE: W x H	WINDOW		DETAILS		
		MAT	OPERATION	HEAD	JAMB	SILL
(1)	SEE CoP SET DATED 3/1/08	-	-	-	-	-
(2)	3'-0" x 3'-0"	MTL	FIXED	4/ATJ	4/ATJ	4/ATJ



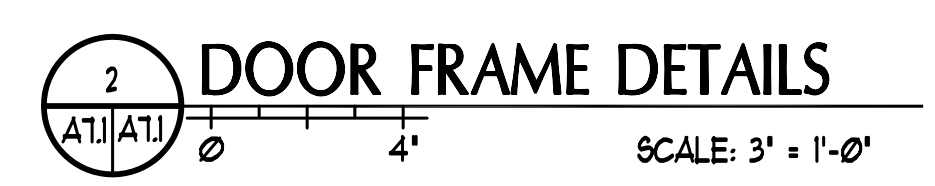
5 WINDOWS SCALE: 3/8" = 1'-0"



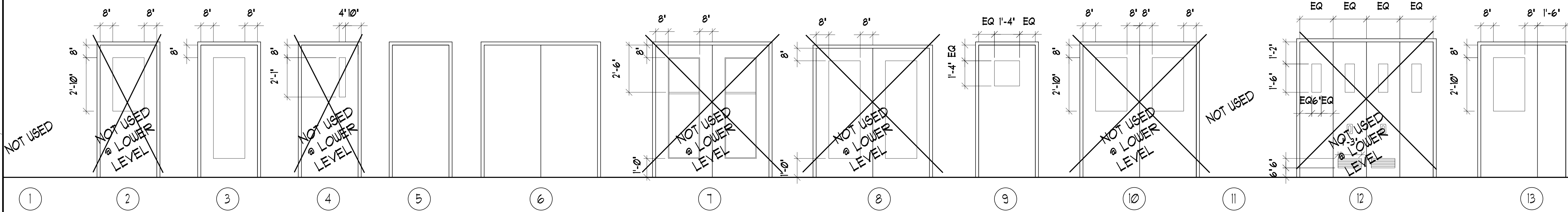
4 METAL WINDOW DETAIL SCALE: 3" = 1'-0"



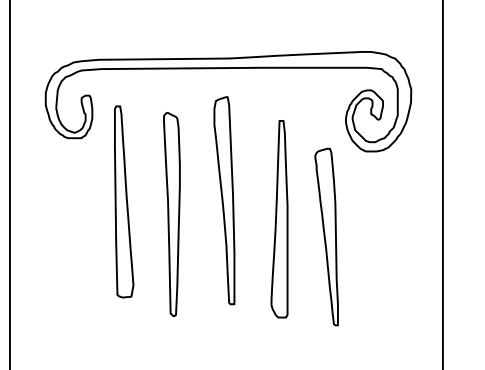
3 NOT USED SCALE: 3/8" = 1'-0"



2 DOOR FRAME DETAILS SCALE: 3" = 1'-0"



1 DOORS SCALE: 3/8" = 1'-0"



PORT CITY ARCHITECTURE

65 NEWBURY STREET
 PORTLAND, ME 04101
 207.761.9000
 fax: 207.761.2010
 lita@portcityarch.com

**UNIVERSITY OF NEW ENGLAND
 COLLEGE OF PHARMACY
 CLASSROOMS**

776 STEVENS AVENUE, PORTLAND, ME

* DATE DESCRIPTION

Date Issued 3/1/2009
 Project Number 08518

SHEET NAME
SCHEDULES

Drawn By EAC
 Checked By LAS
LL A7.1

BID DOCUMENTS - NOT FOR CONSTRUCTION

COPYRIGHT: Reuse or reproduction of the contents of this document is not permitted without written permission of PORT CITY ARCHITECTURE PA