

GENERAL NOTES:

1. ALL WIRING IN ACCORDANCE WITH NATIONAL ELECTRICAL CODE, INTERNATIONAL BUILDING CODE (IBC), CITY OF PORTLAND REQUIREMENTS, AND MANUFACTURER'S REQUIREMENT & RECOMMENDATIONS.

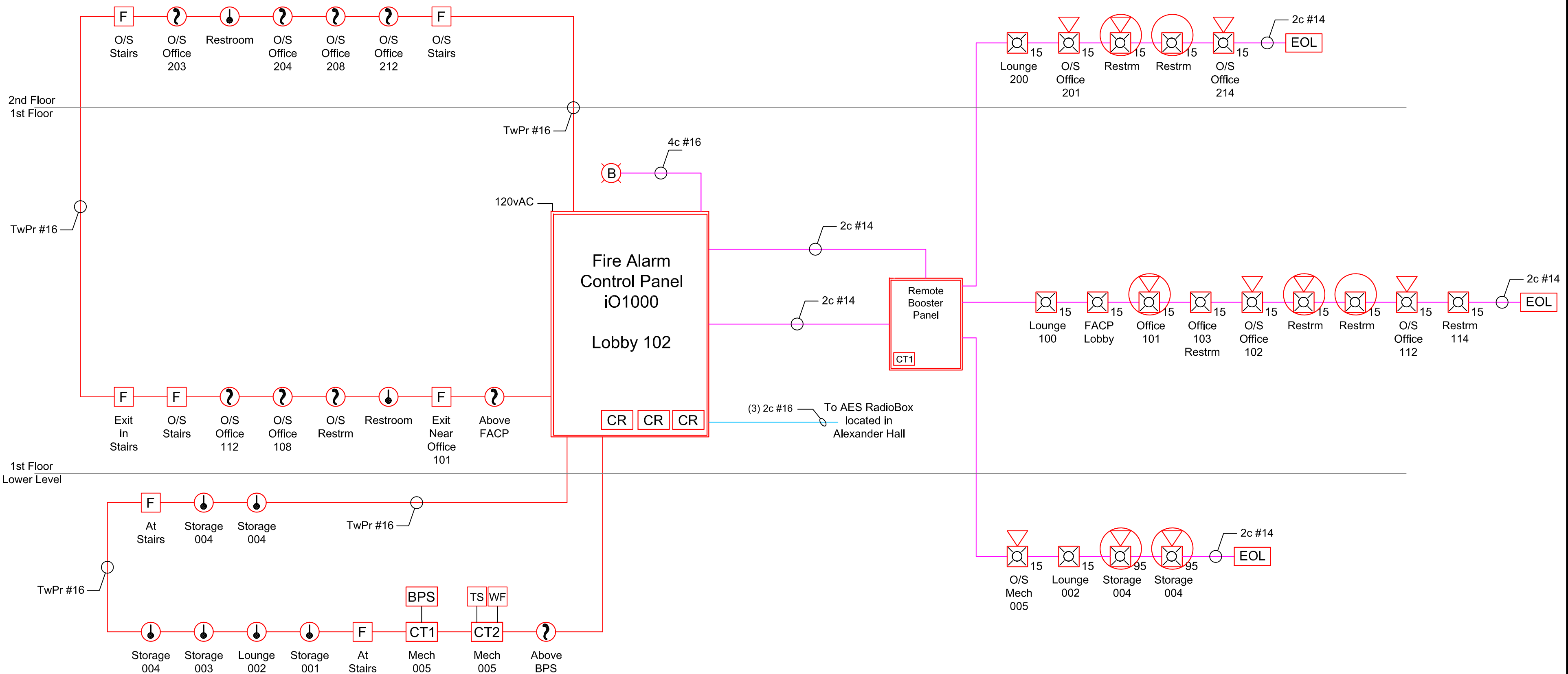
WIRING NOTES:

1. ALL ADDRESSABLE DEVICES MUST BE INSTALLED IN A HEATED LOCATION.
2. ADDRESSABLE CONTROL RELAYS (CR or MCR) SHALL SWITCH ONLY 12/24V (AC/DC) @ 2.0 Amps OR LESS. SWITCHED CIRCUITS REQUIRING HIGHER VOLTAGE SHALL USE AN INTERMEDIATE LISTED FOR THE PURPOSE
3. ADDRESSABLE LOOP CONSISTS OF (1) 2C #16 TWISTED NON-SHIELDED FROM FACP AT 1ST DEVICE; (1) 2C #16 TWISTED NON-SHIELDED THROUGH REMAINING DEVICES ON CIRCUIT AND RETURN TO FACP. MAINTAIN PROPER SEPARATION BETWEEN FEEDS AND RETURNS.
4. STROBE CIRCUITS CONSIST OF 2C #14 FROM FACP TO 1ST DEVICE; 2C #14 THROUGH REMAINING DEVICES ON CIRCUIT AND END AT END OF LINE RESISTOR. MAINTAIN PROPER SEPARATION BETWEEN FEEDS AND RETURNS.

LEGEND:

RISER DIAG SYM	NFPA SYMBOL	DESCRIPTION	CATALOG #
FACP	FACP	Fire Alarm Control Panel	IO1000RD
ANN		Remote Annunciator	RLCD-CR
BPS		Remote Booster Panel	BPS10A
F	P	Manual Pull Station	SIGA-278
?	?	Addressable Smoke Detector w/ Standard Base	SIGA-PD SIGA-SB
⬇	⬇	Addressable Smoke Detector w/ Standard Base	SIGA-HRD
CT1	AIM	Addressable Single Input Module	SIGA-CT1
CT2	AIM	Addressable Dual Input Module	SIGA-CT2
CR	ACM	Addressable Control Relay	SIGA-CR
⊠#	⊠#	Horn/Strobe Unit (Red Wall Mount) # Indicates Candela Setting	G1RF-HDVM
⊠#	⊠#	Strobe Unit (Red Wall Mount) # Indicates Candela Setting	G1RF-VM
MB		Radio Master Box	AES 7788
B		Exterior Beacon	495S-1280R

* NFPA 170 (2009)
Tables: 6.5, 6.7.1, 6.7.2, & 6.7.3
(Some symbols may not appear on drawing)



REV.	DESCRIPTION	DATE	DRWN:	TRD:	IRW/D:
0	Original Issue	3/17	KMB	TRD	IRW/D: