

DESIGNED BY: WWS  
 DRAWN BY: WWS  
 CHECKED BY: WWS  
 PROJECT: 21602.16

UNIVERSITY OF NEW ENGLAND  
 PORTLAND CAMPUS  
 Fine Arts Gallery  
 716 Stevens Avenue  
 Portland, ME 04103-2893

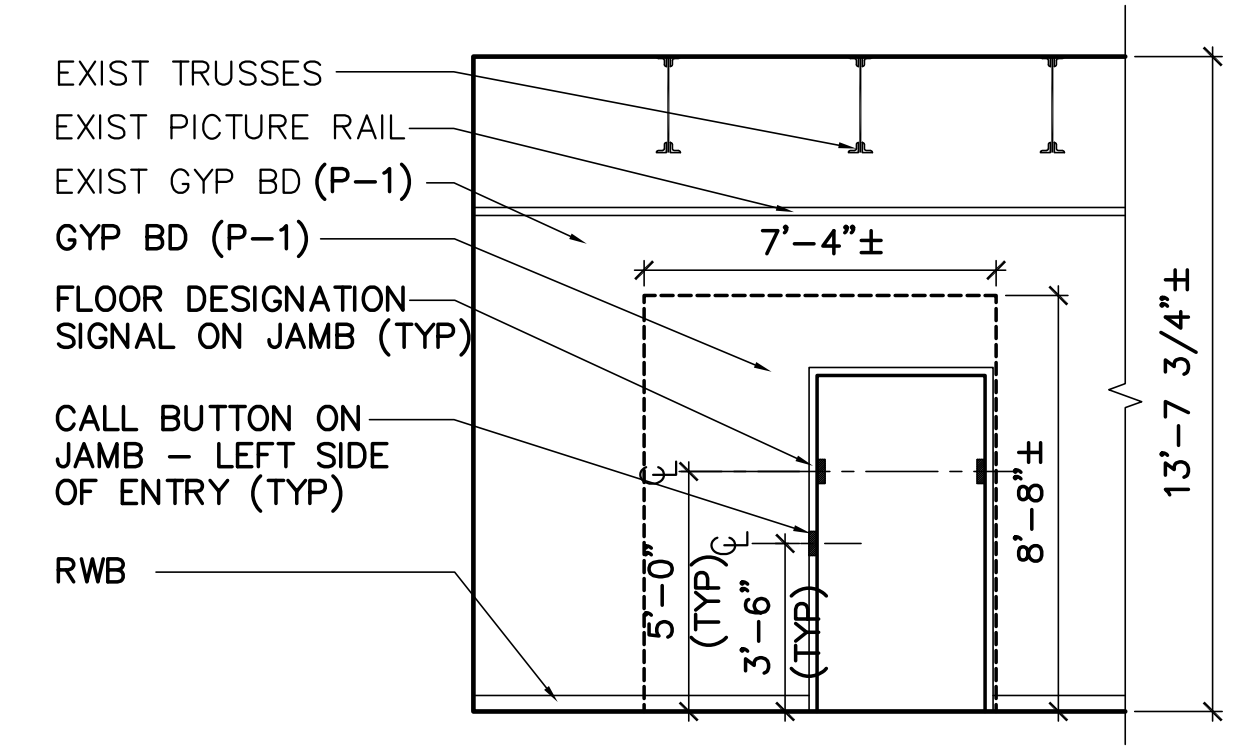
FINE ARTS GALLERY  
 ELEVATOR ADDITION  
 FOR PERMITTING ONLY - NOT FOR CONSTRUCTION

FINISHES AND  
 INTERIOR  
 ELEVATIONS

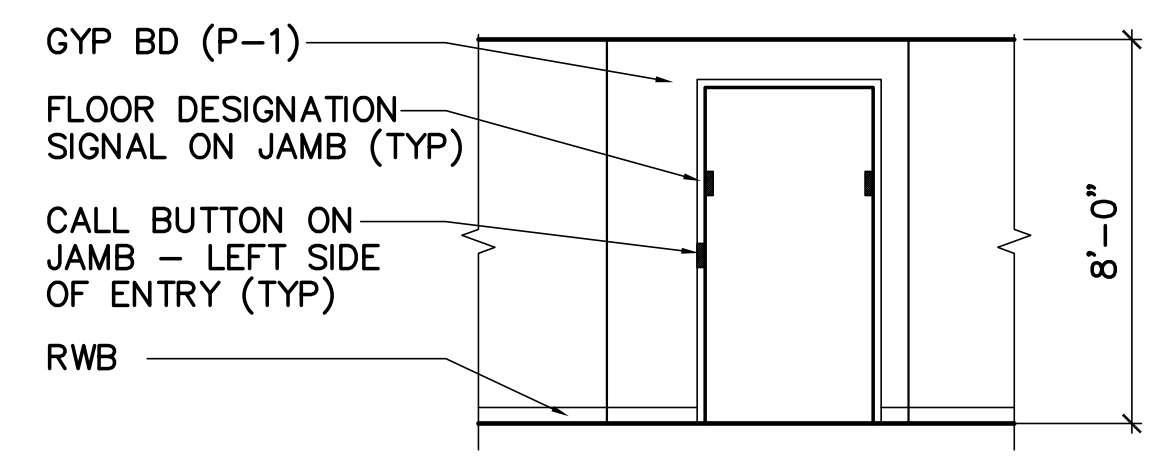
SCALE: AS NOTED  
 DATE: 3-29-17  
 DWG. AE701  
 SHEET: 18 OF 26

ROOM FINISH SCHEDULE										
NO.	DESCRIPTION	FLOOR	BASE	WALLS				CEILING		NOTES
				NORTH	EAST	SOUTH	WEST	MATERIAL	HEIGHT	
BUILDING										
B4	BASEMENT ELEVATOR ENTRY	CPT	RWB	P-1	P-1	P-1	P-1	GWB	8'-0"	-
11	FIRST FLOOR GALLERY	CPT	RWB	P-1	X	X	X	X	X	-
21	SECOND FLOOR GALLERY	CPT	RWB	P-1	X	X	X	X	X	-
ELEV	ELEVATOR	RFT	-	-	-	-	-	-	-	-

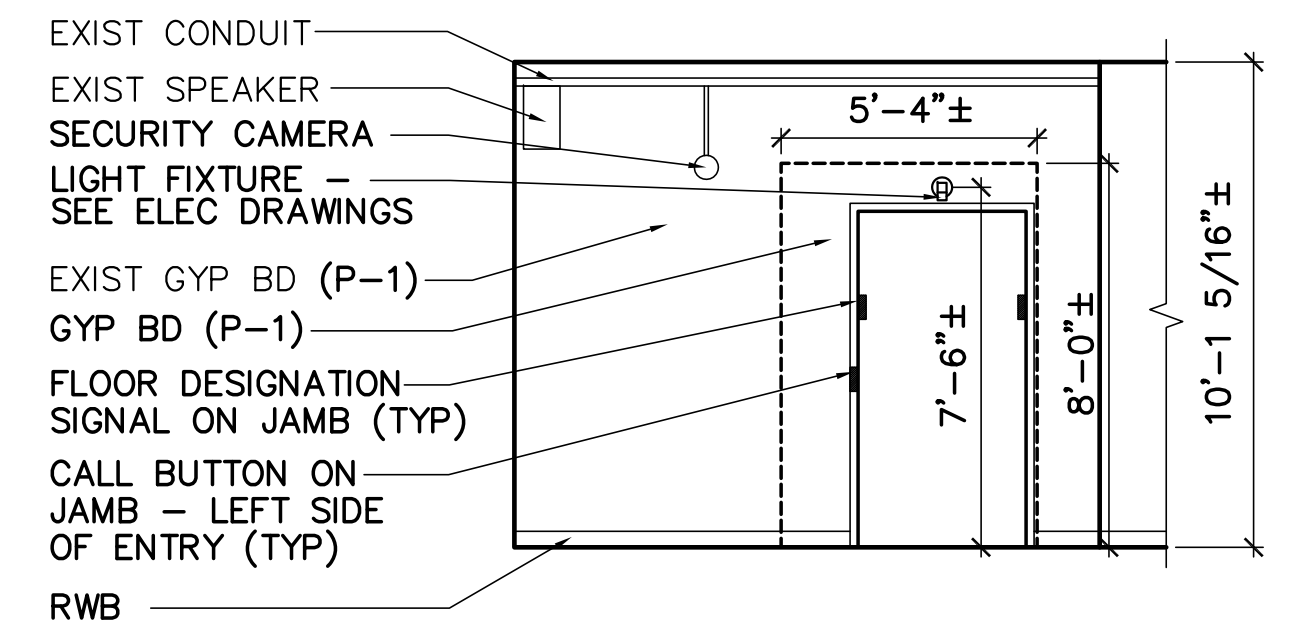
COLOR KEY/MANUFACTURER GUIDE		
MATERIAL	MANUFACTURER MODEL/TYPE	COLOR & FINISH
WALLS		
P-1	SHERWIN WILLIAMS	TO MATCH EXISTING
FLOORS		
CPT-1	BENTLEY	TO MATCH EXISTING
RFT-1	ROPPE MARBLE FIESTA	M410 MARENGO, HAMMERED DESIGN
BASE		
RWB	ROPPE RUBBER WALL BASE	TO MATCH EXISTING
CEILING		
GYP BD	SHERWIN WILLIAMS	TO MATCH EXISTING



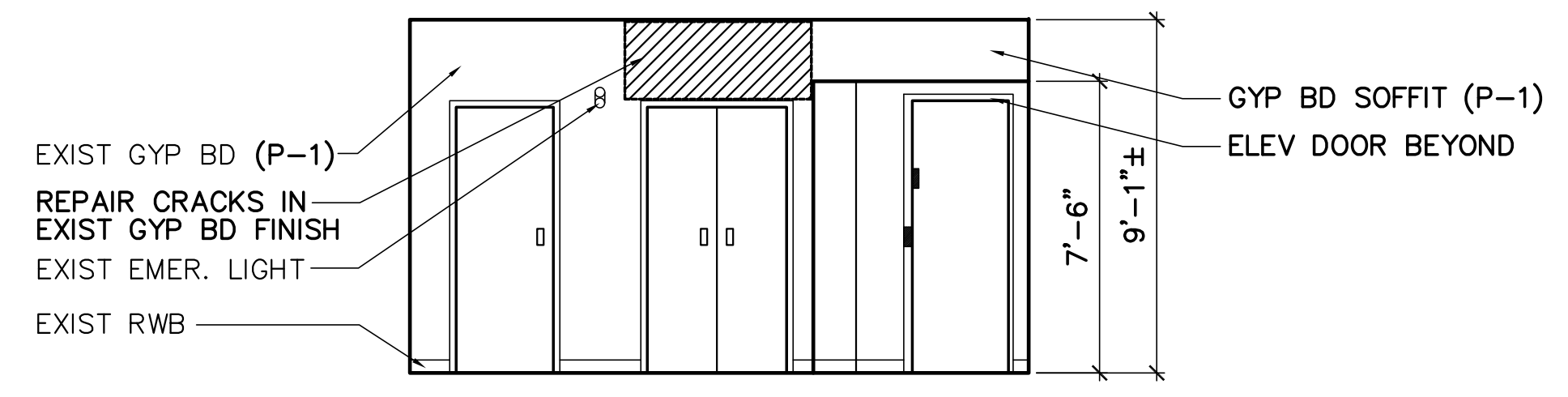
**4 SECOND FLOOR ELEVATOR ELEVATION**  
 AE101 SCALE: 1/4"=1'-0"



**2 BASEMENT ELEVATOR ELEVATION**  
 AE101 SCALE: 1/4"=1'-0"



**3 FIRST FLOOR ELEVATOR ELEVATION**  
 AE101 SCALE: 1/4"=1'-0"



**1 BASEMENT GALLERY ELEVATION**  
 AE101 SCALE: 1/4"=1'-0"

