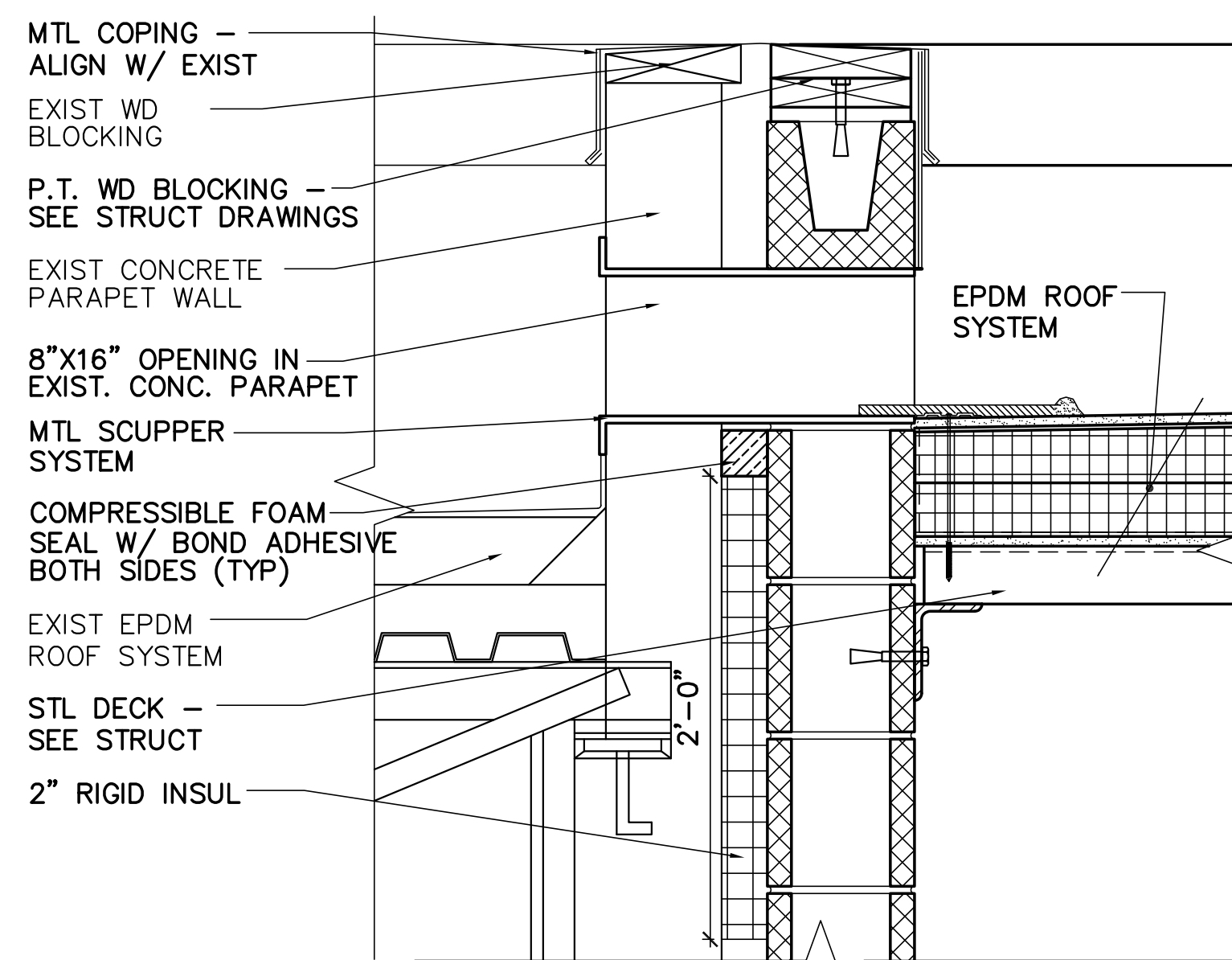
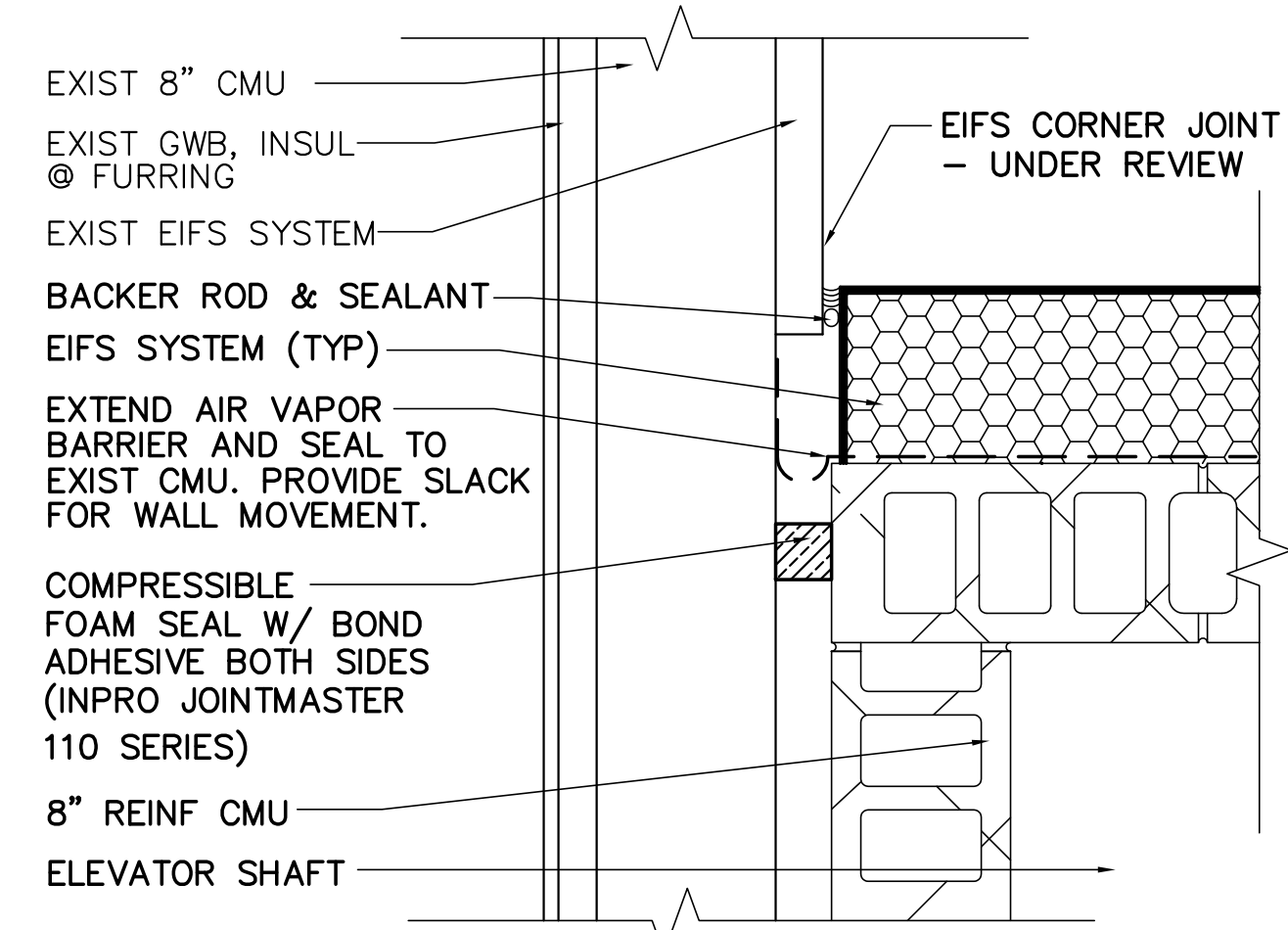


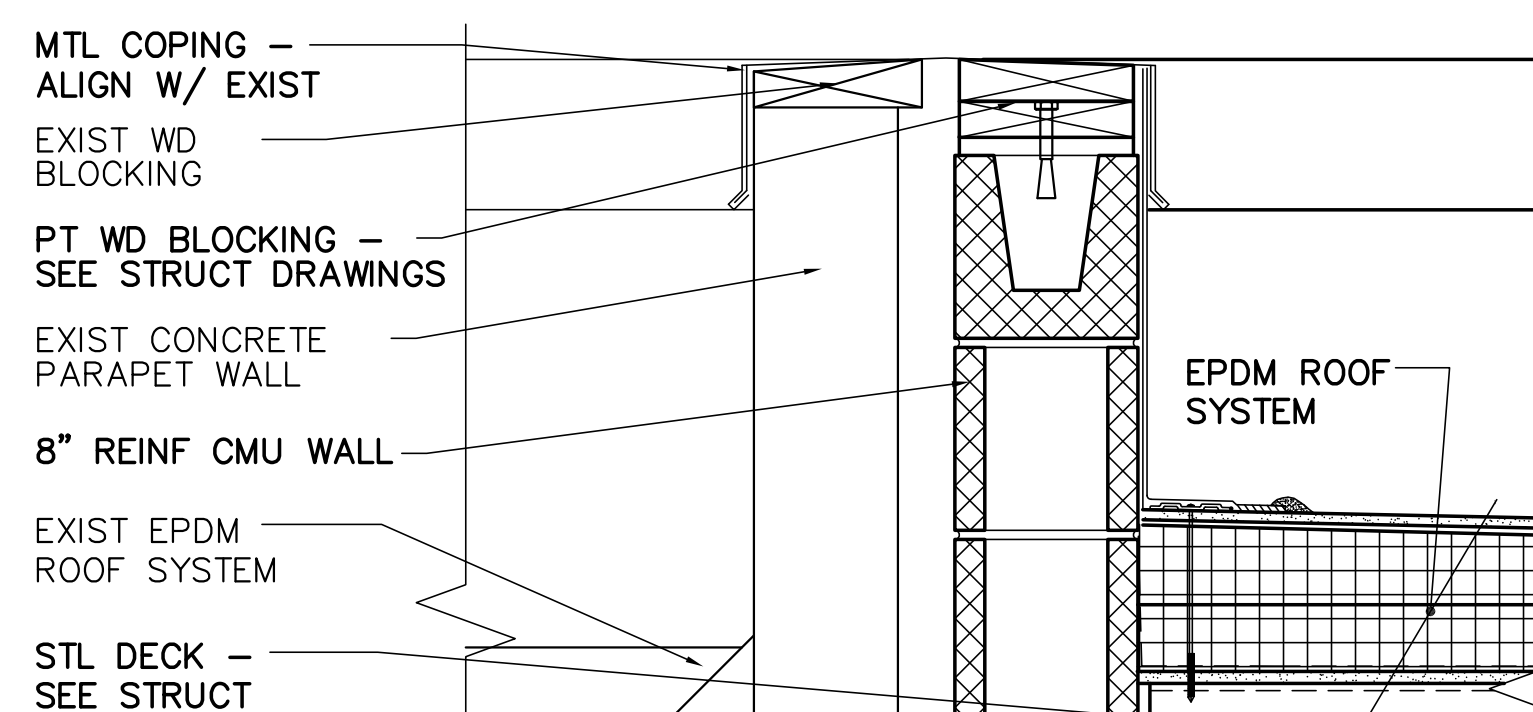
1 TYP PARAPET FLASHING
AE302 SCALE: 1-1/2"=1'-0"



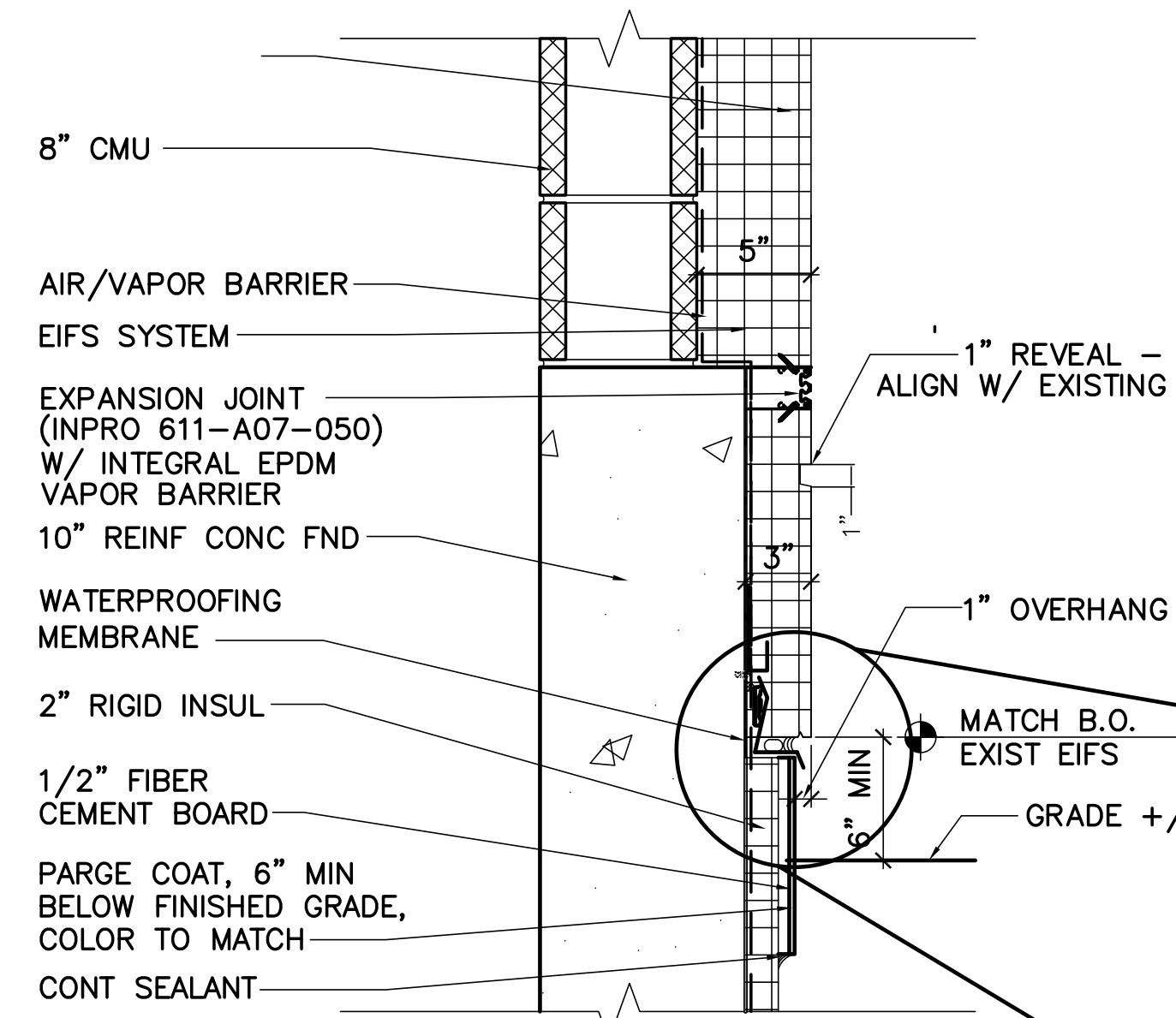
5 DRAIN SCUPPER
AE302 SCALE: 1-1/2"=1'-0"



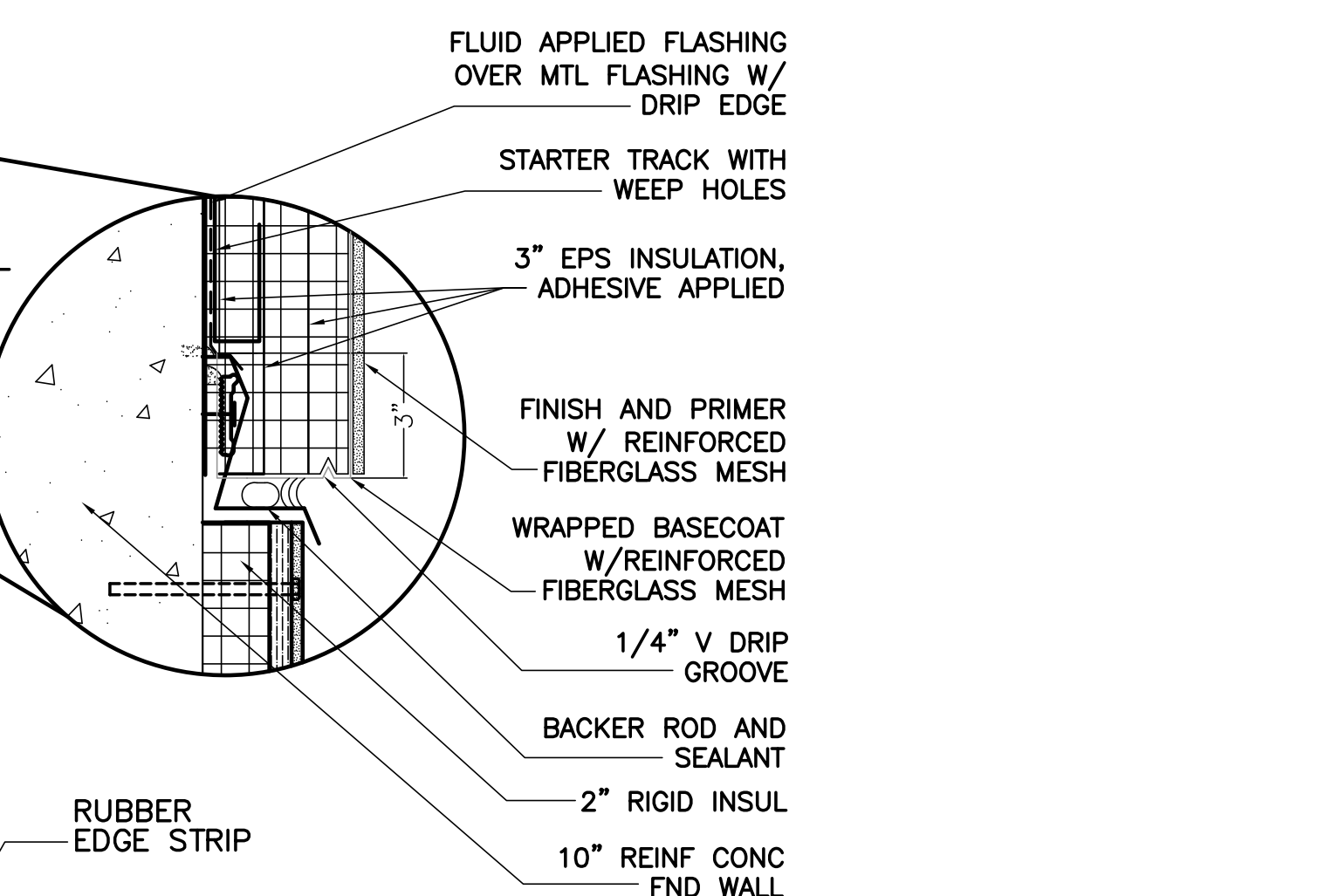
2 EIFS WALL SYSTEM PLAN DETAIL
AE302 SCALE: 1-1/2"=1'-0"



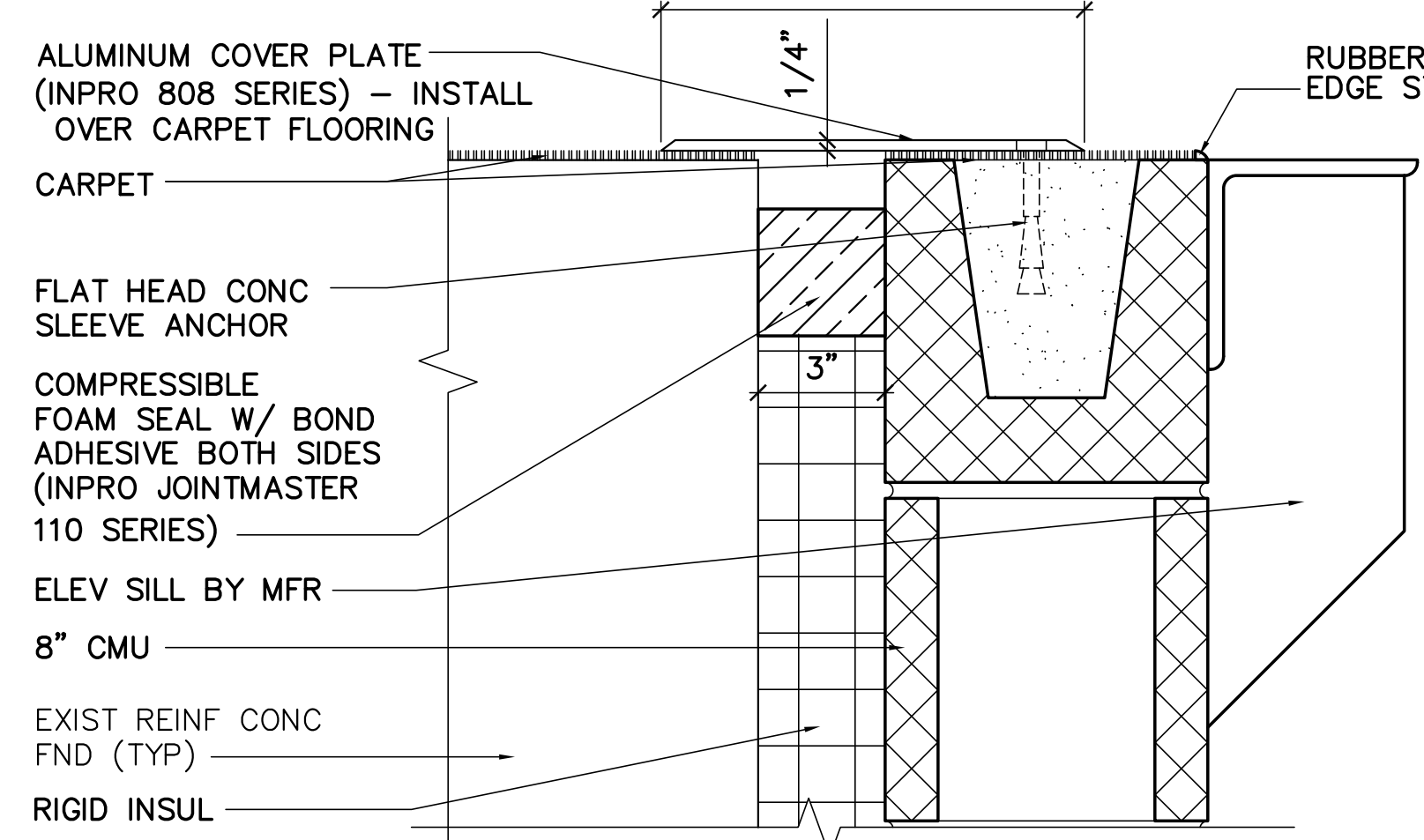
6 ELEVATOR ROOF DETAIL
AE302 SCALE: 1-1/2"=1'-0"



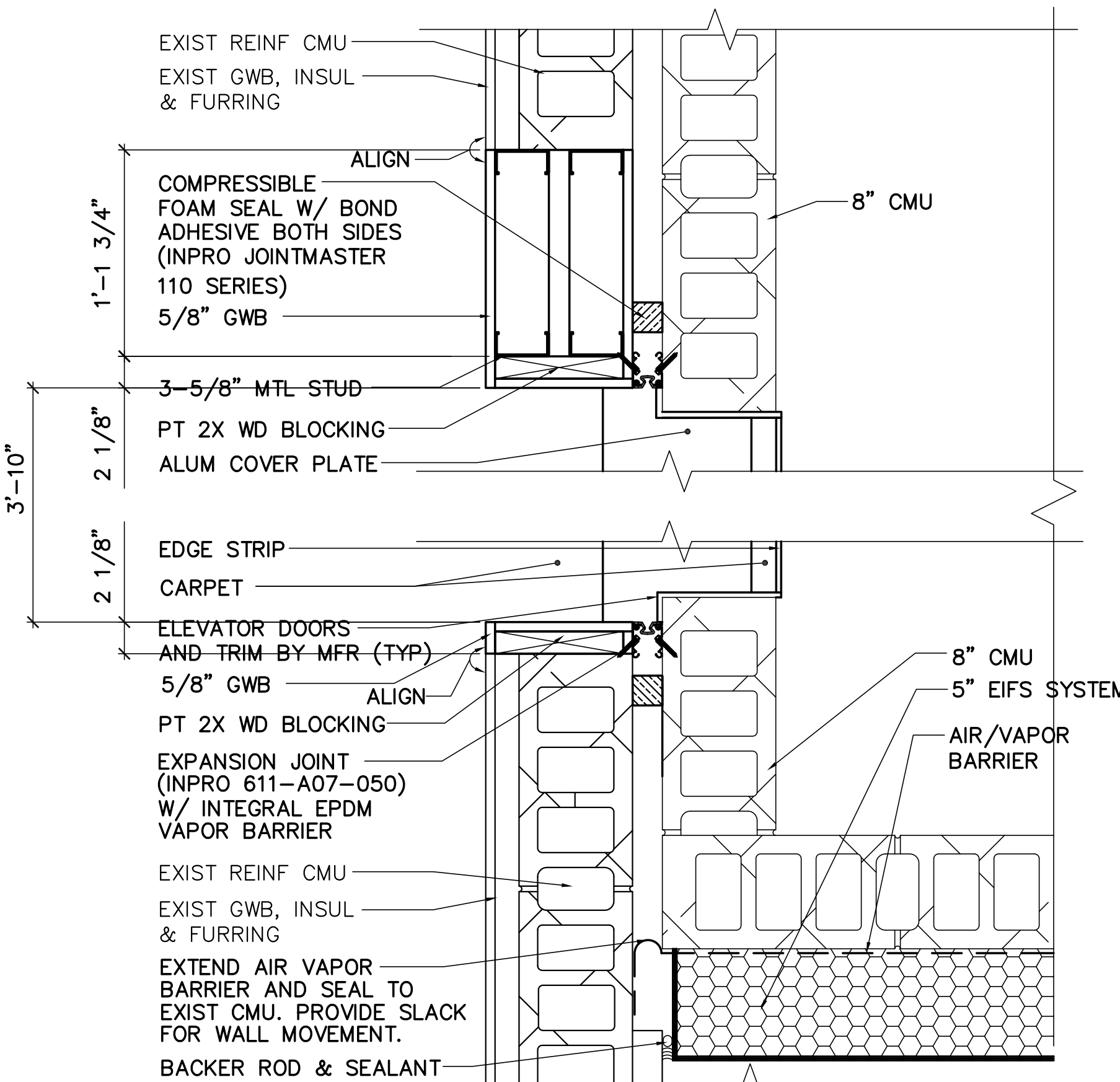
3 EIFS WALL SYSTEM DETAIL
AE302 SCALE: 1-1/2"=1'-0"



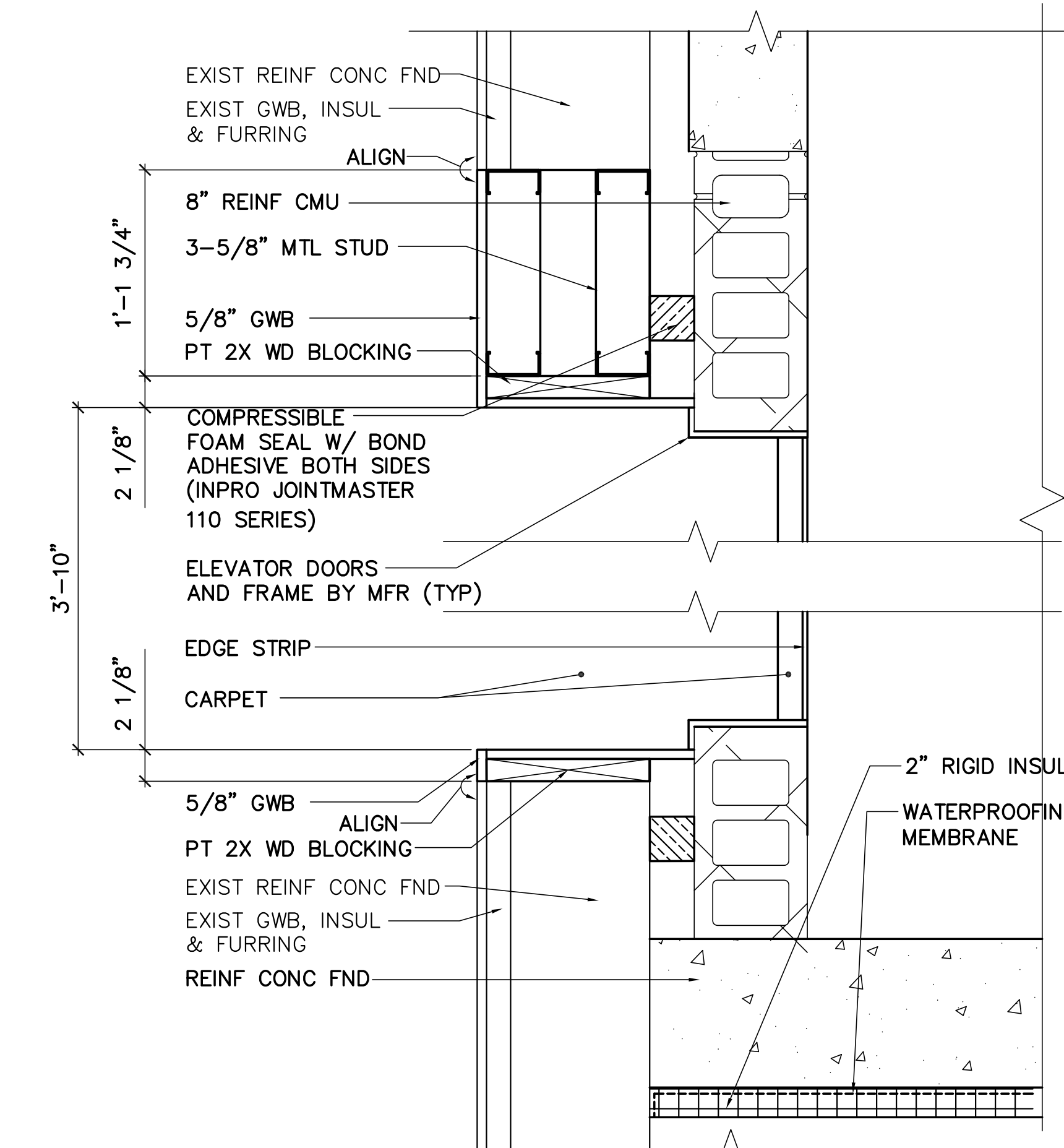
7 TYP EPDM ROOF SYSTEM
AE302 SCALE: 3"=1'-0"



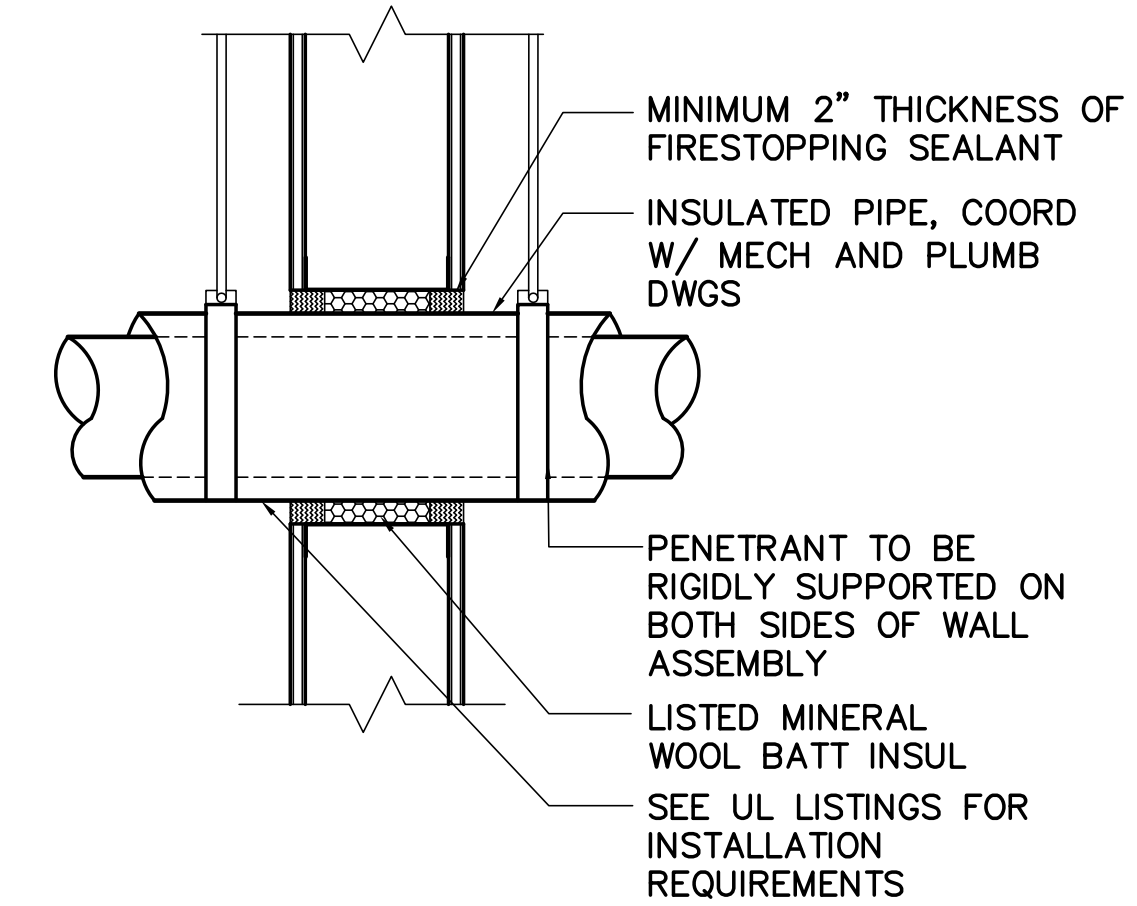
4 COVER PLATE DETAIL
AE301, SF501 SCALE: 3"=1'-0"



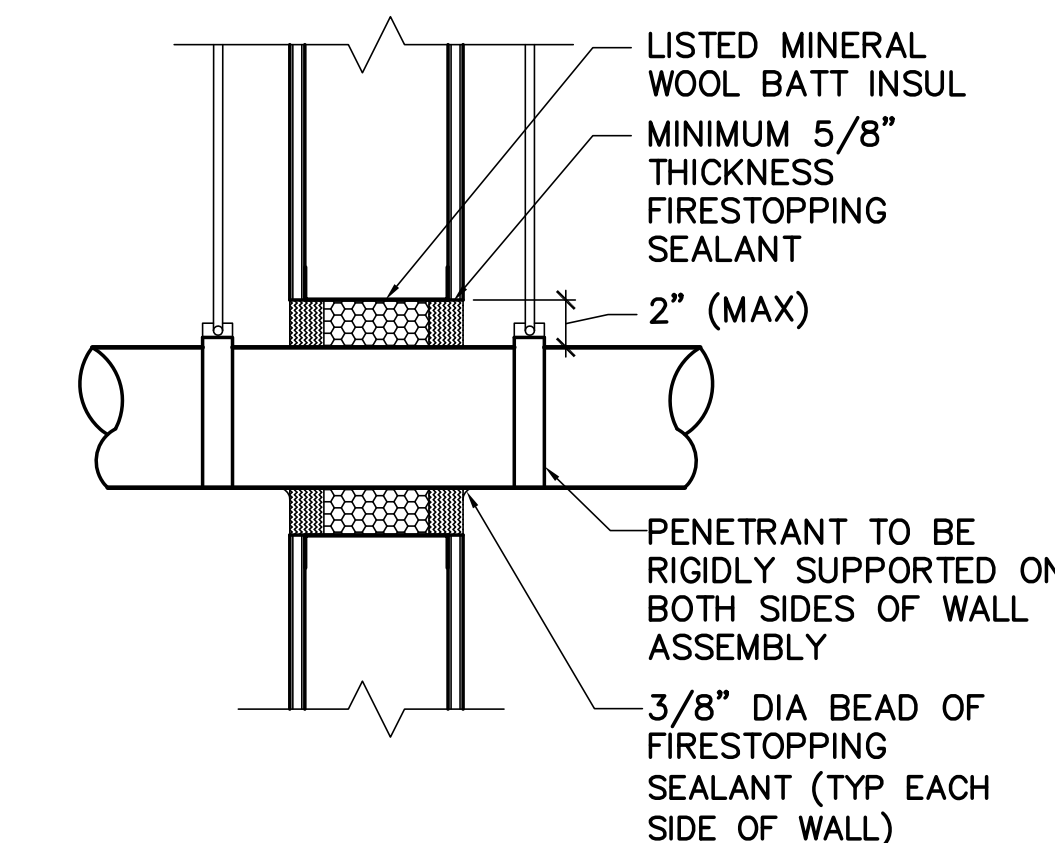
8 JAMB DETAIL - FIRST/SECOND
AE302 SCALE: 1-1/2"=1'-0"



9 JAMB DETAIL - BASEMENT
AE302 SCALE: 1-1/2"=1'-0"

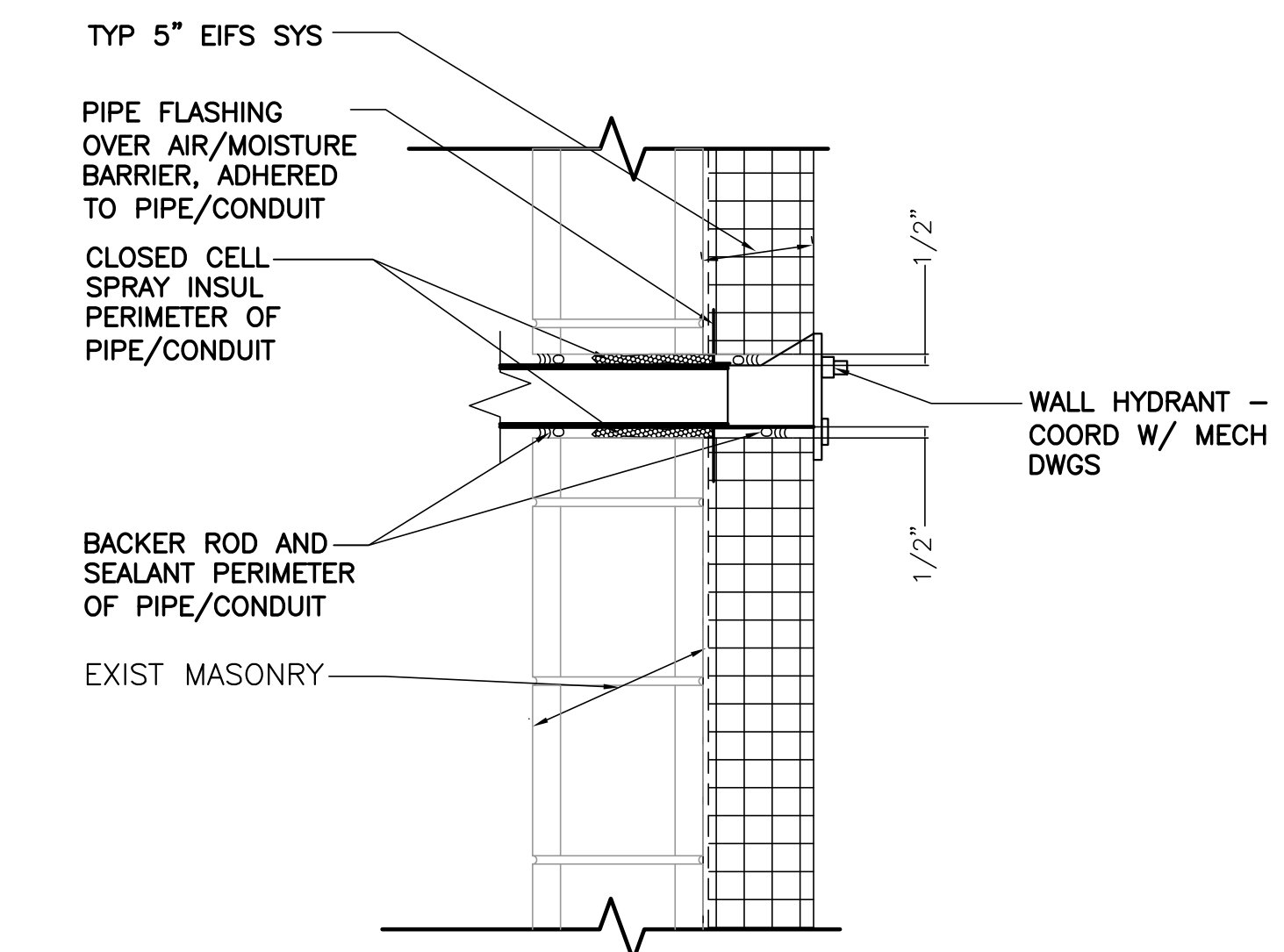


B INSULATED PIPE
SIM UL W-L-5014 (GYP BD)
SIM UL C-AJ-5029 (CMU)

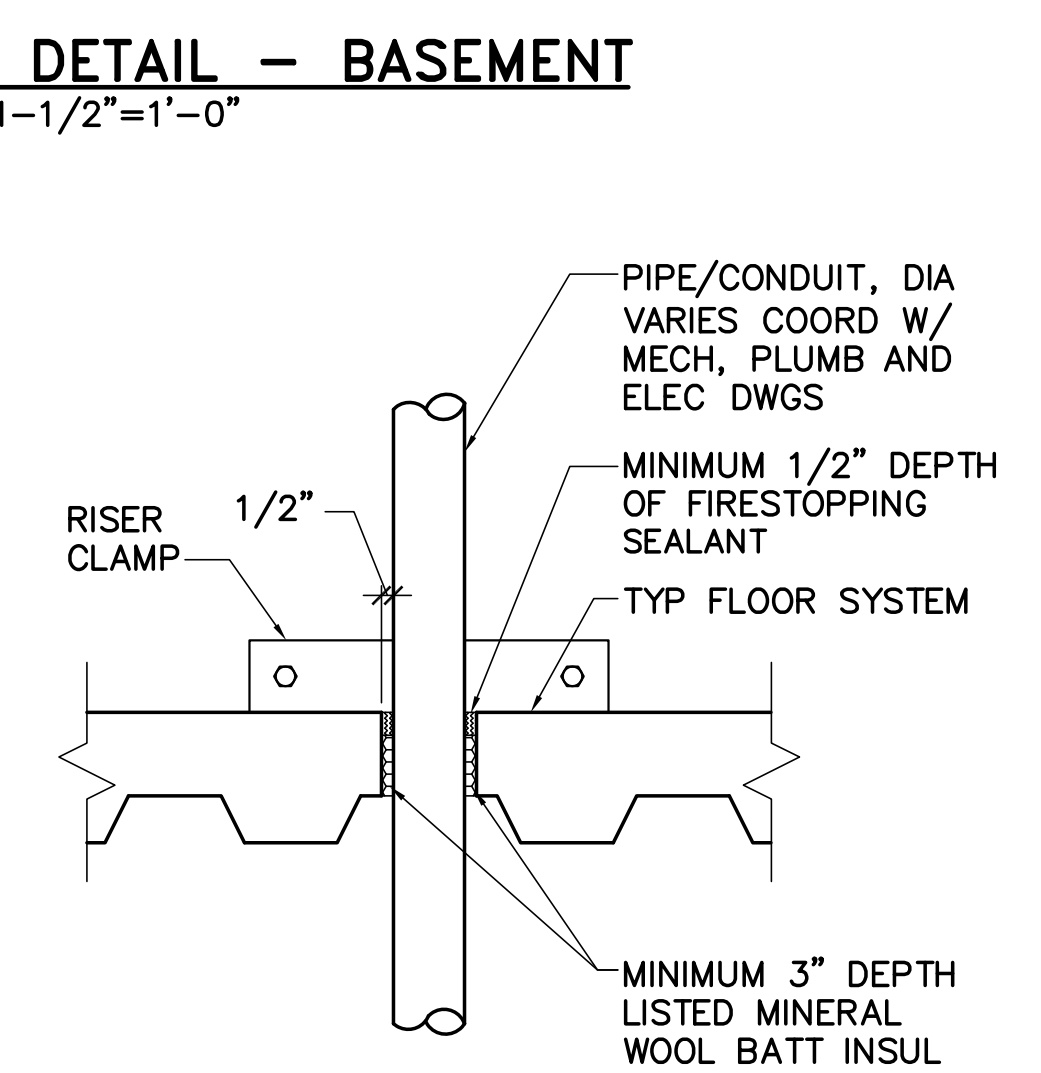


C BARE PIPE AND CONDUIT W/ F RATING
UL W-L-1049 (GYP BD)
SIM UL C-AJ-1080 (CMU)

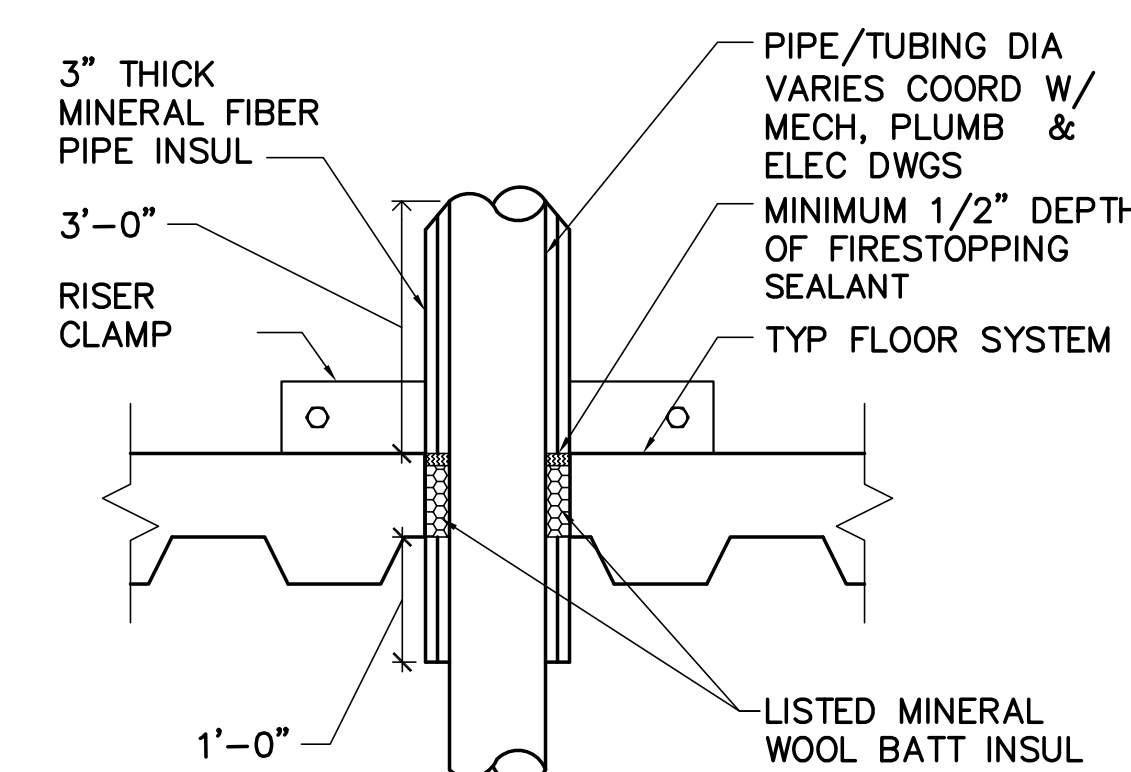
11 PENETRATION DETAIL
AE302 SCALE: 1-1/2"=1'-0"



12 EIFS PENETRATION DETAIL
AE302 SCALE: 1-1/2"=1'-0"



BARE PIPING/ CONDUIT W/ F RATING
SIM UL C-AJ-1079



C PIPING/TUBING W/ F RATING AND T RATING
UL C-AJ-1506

