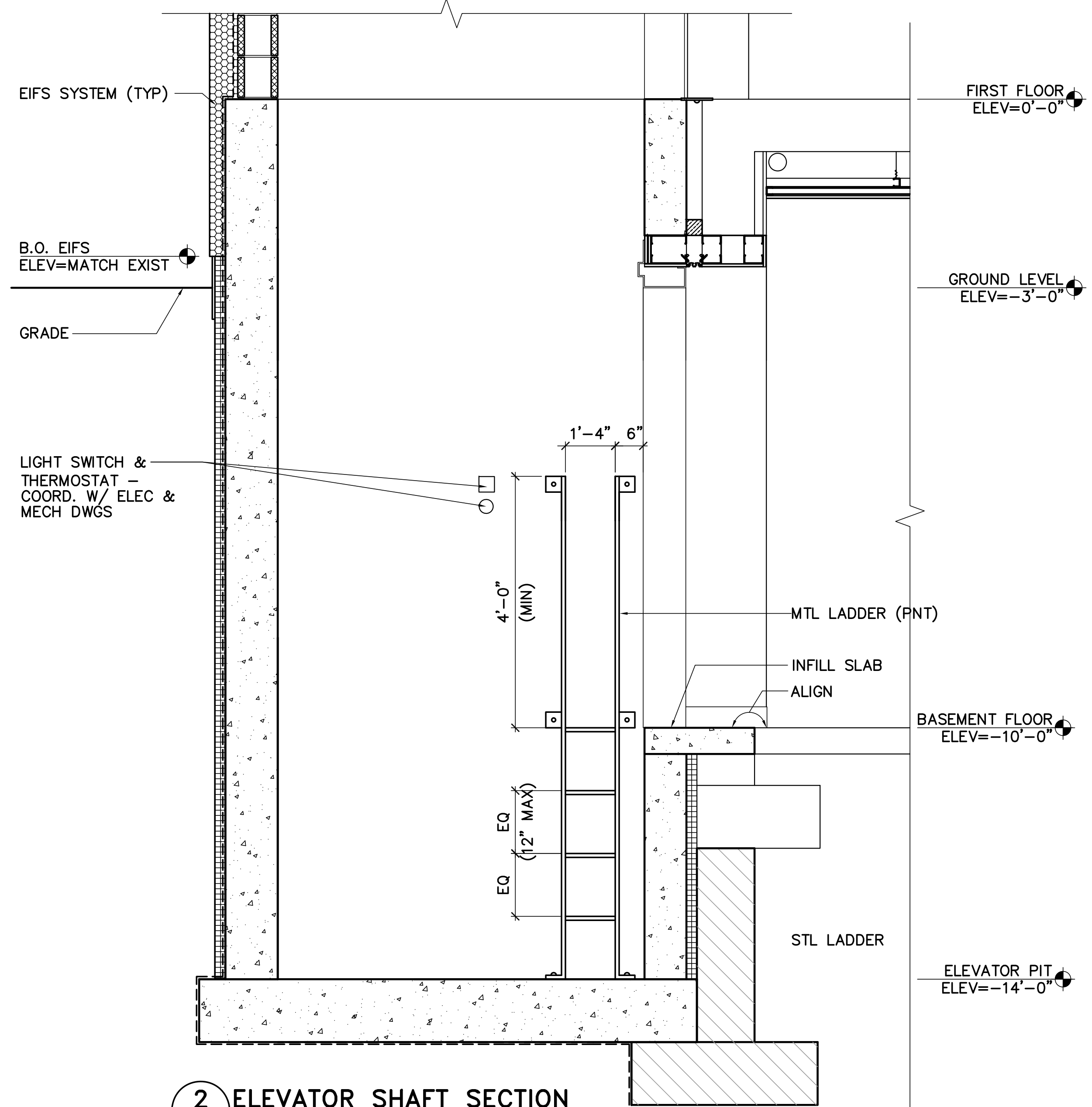
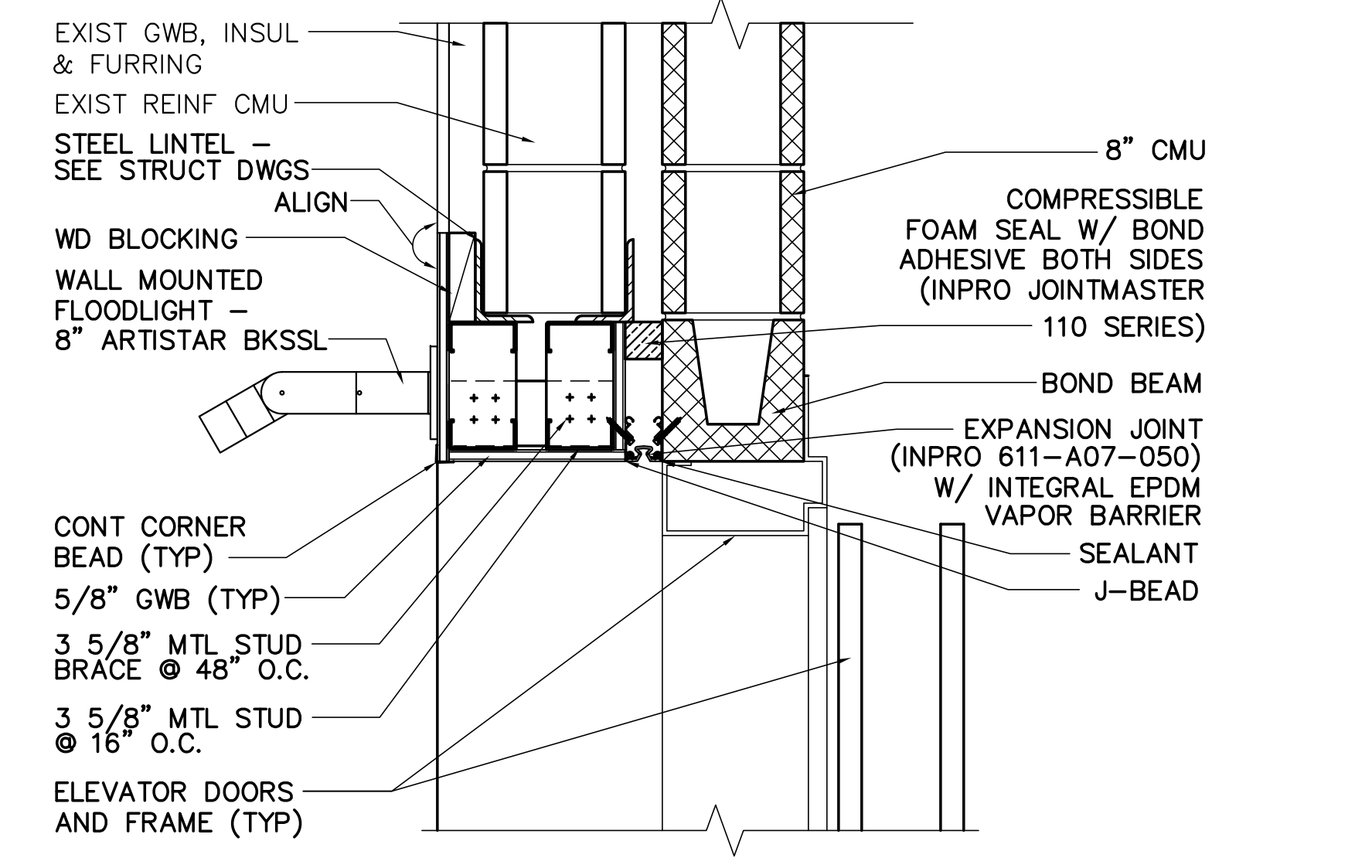


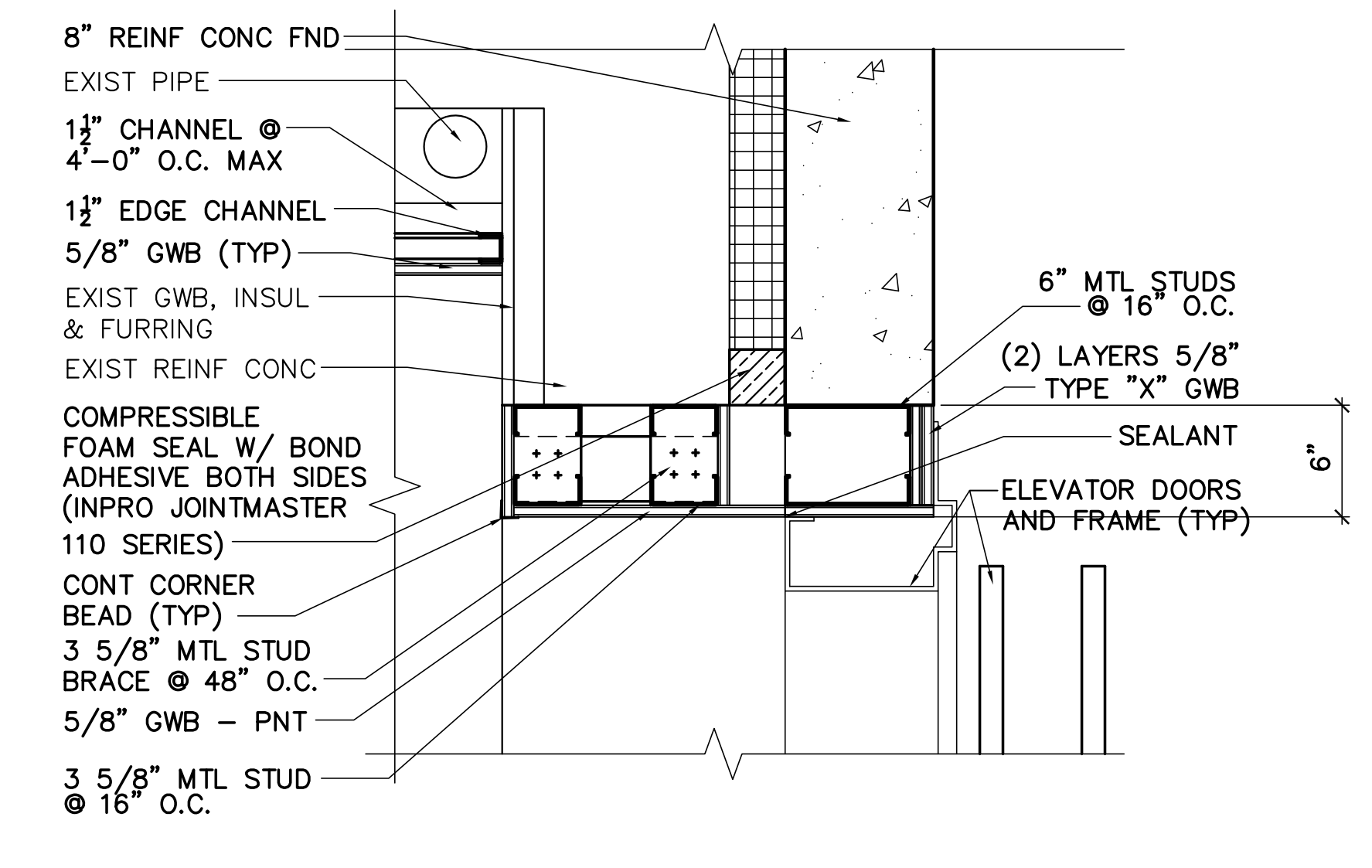
**1 ELEVATOR SHAFT SECTION**  
 AE201/AE301 SCALE: 3/4"=1'-0"



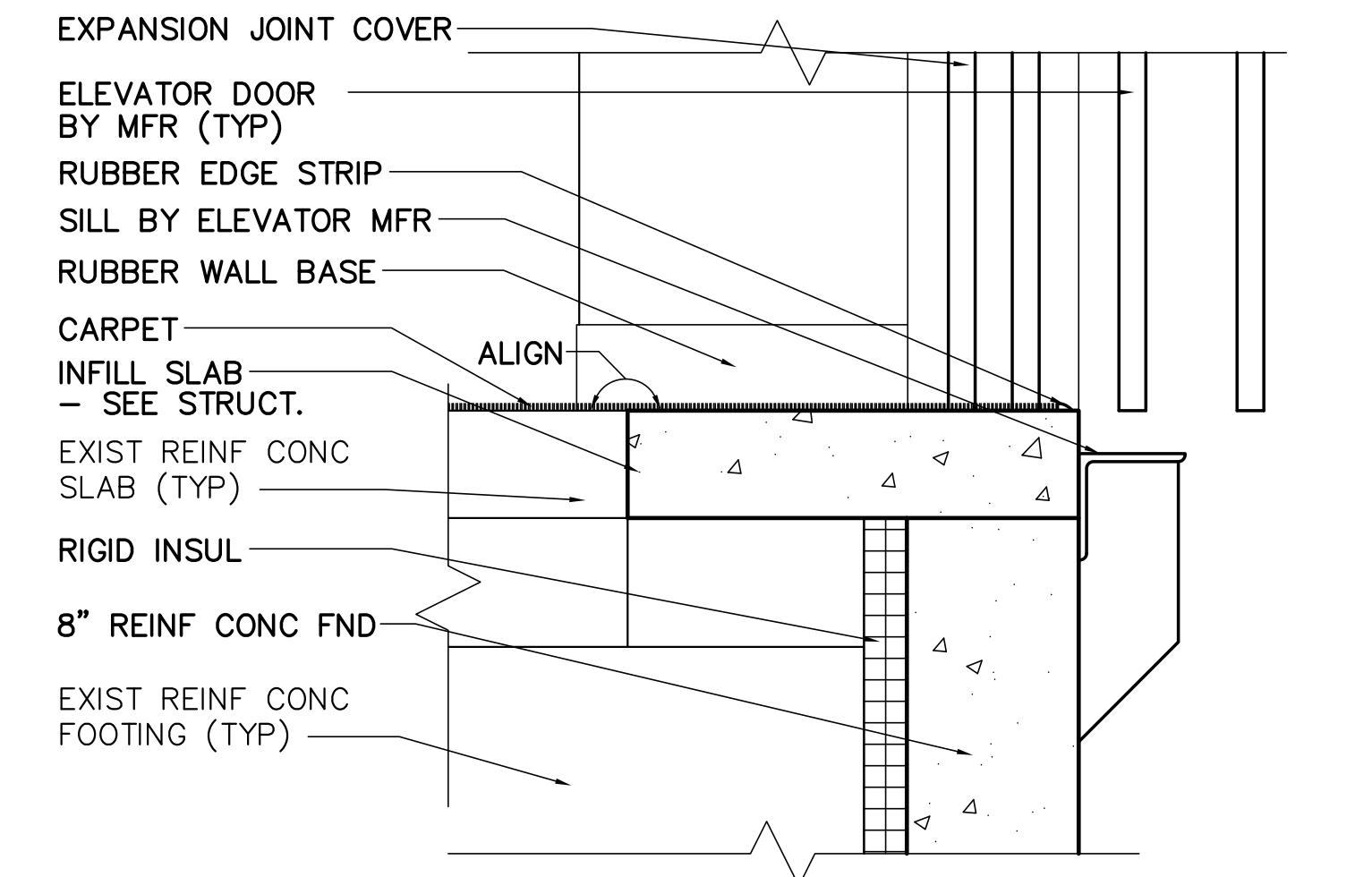
**2 ELEVATOR SHAFT SECTION**  
 AE101/AE301 SCALE: 3/4"=1'-0"



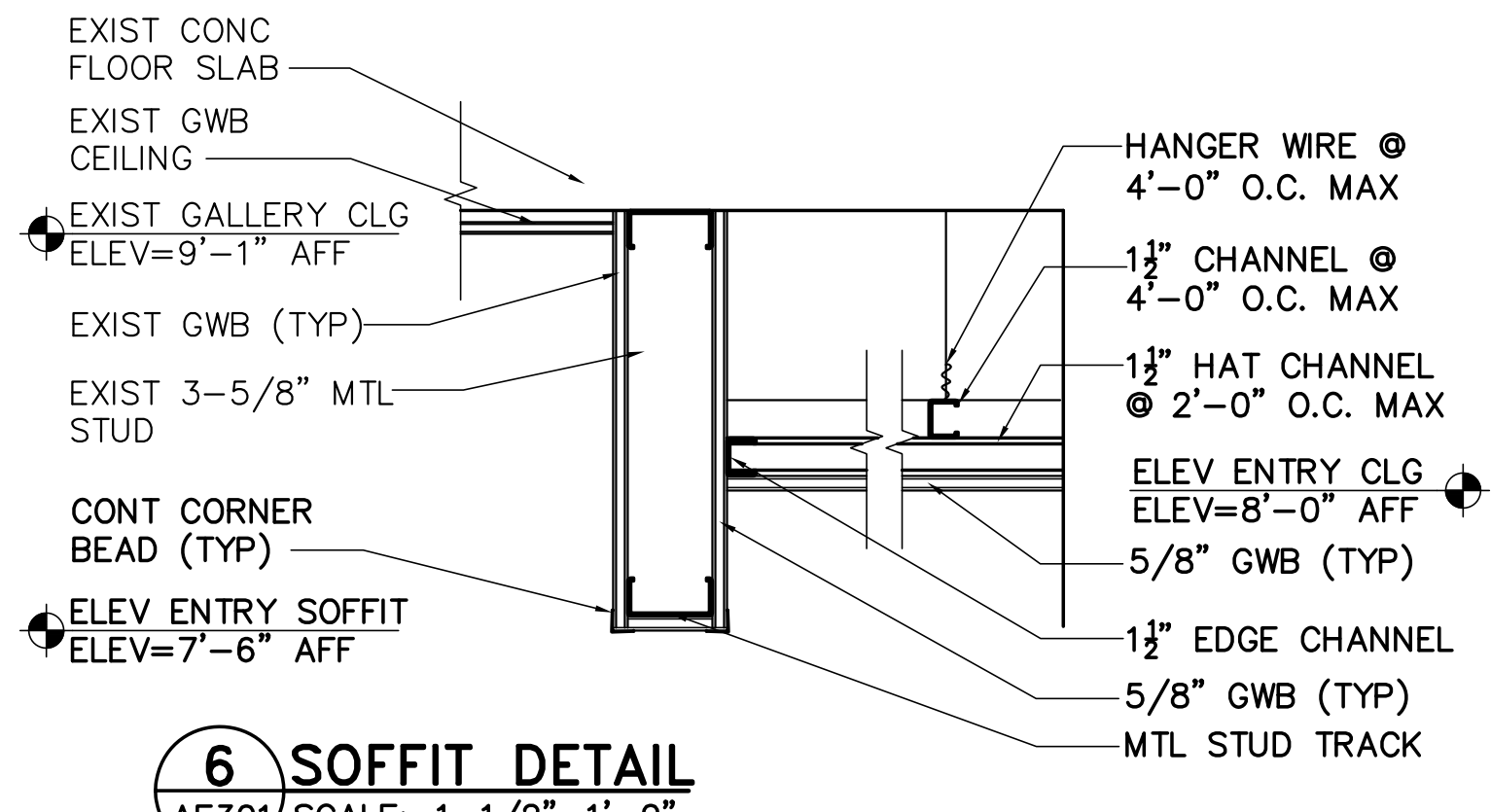
**3 HEAD DETAIL - FIRST FLOOR**  
 AE301 SCALE: 1-1/2"=1'-0"



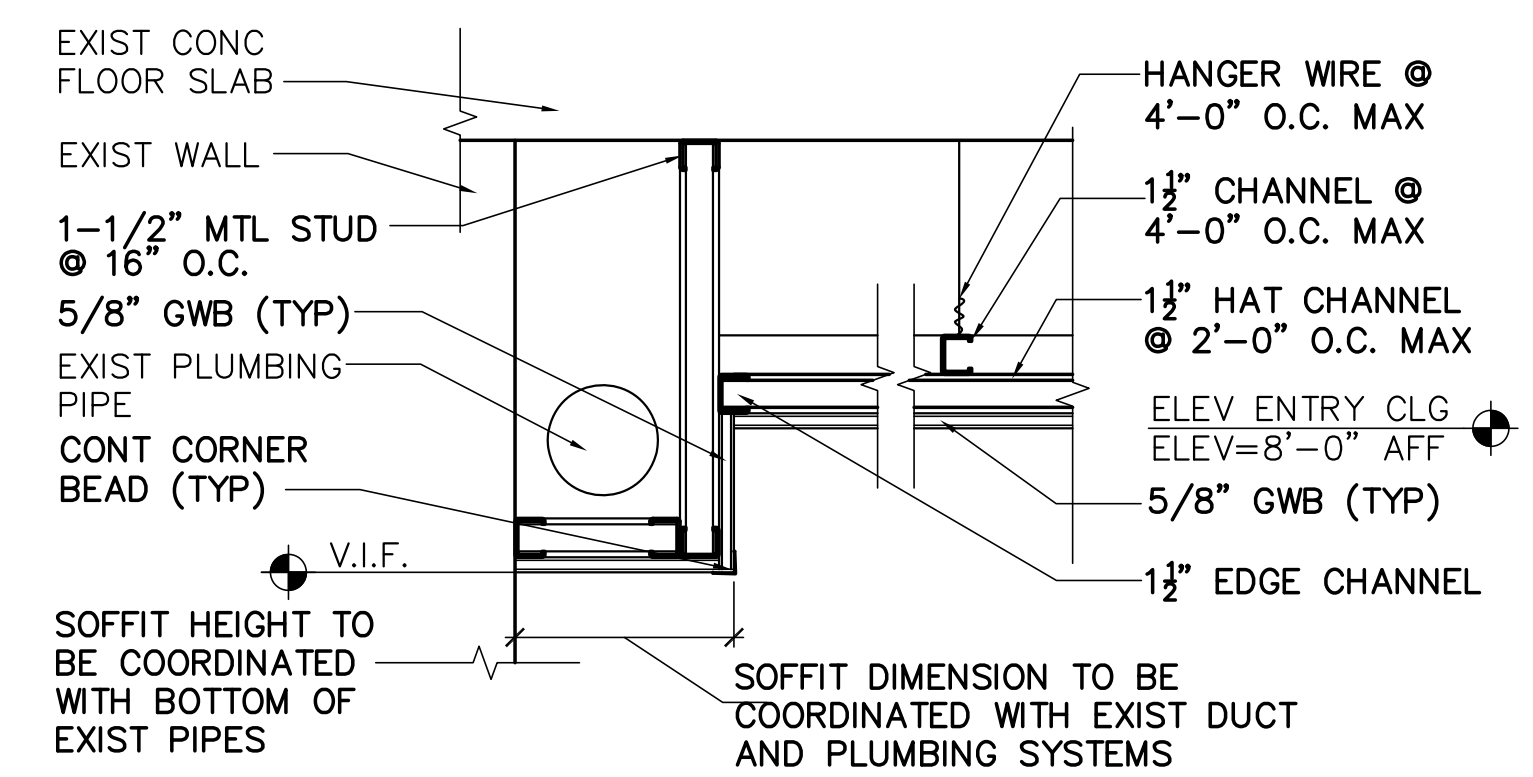
**4 HEAD DETAIL - BASEMENT**  
 AE301 SCALE: 1-1/2"=1'-0"



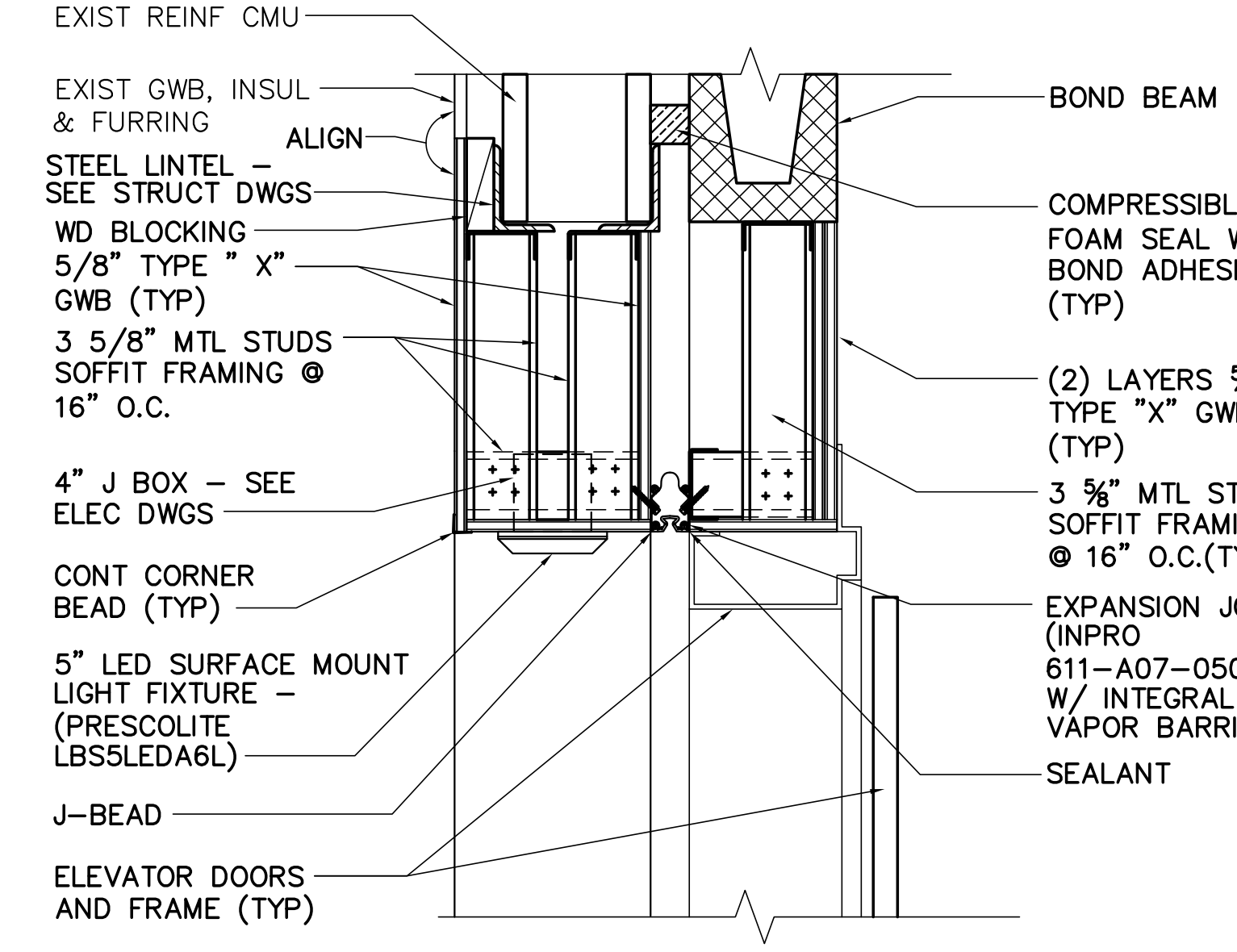
**5 SILL DETAIL**  
 AE301 SCALE: 1-1/2"=1'-0"



**6 SOFFIT DETAIL**  
 AE101/AE301 SCALE: 1-1/2"=1'-0"



**7 SOFFIT DETAIL**  
 AE101/AE301 SCALE: 1-1/2"=1'-0"



**8 HEAD DETAIL - SECOND FLOOR**  
 AE301 SCALE: 1-1/2"=1'-0"

