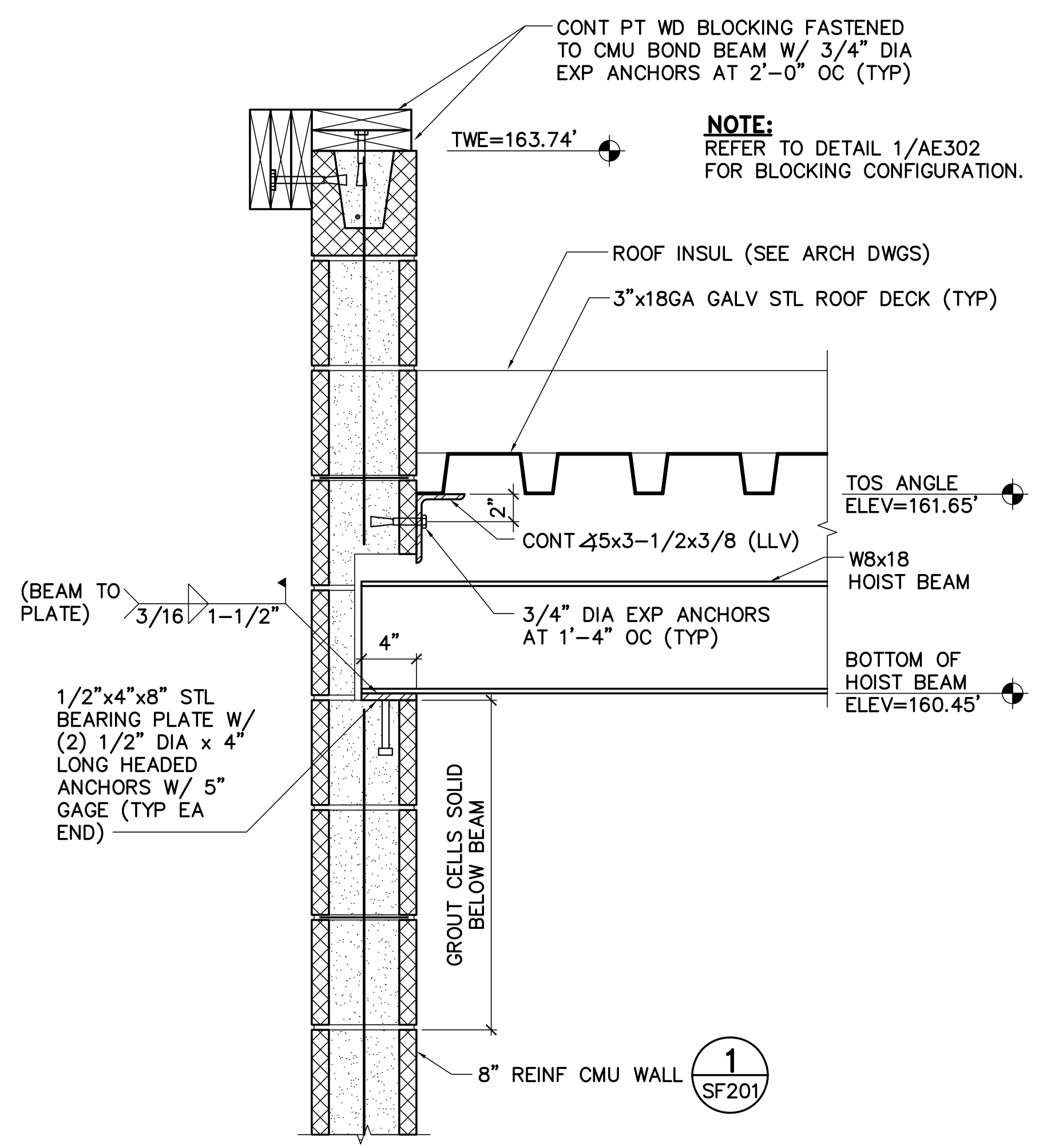
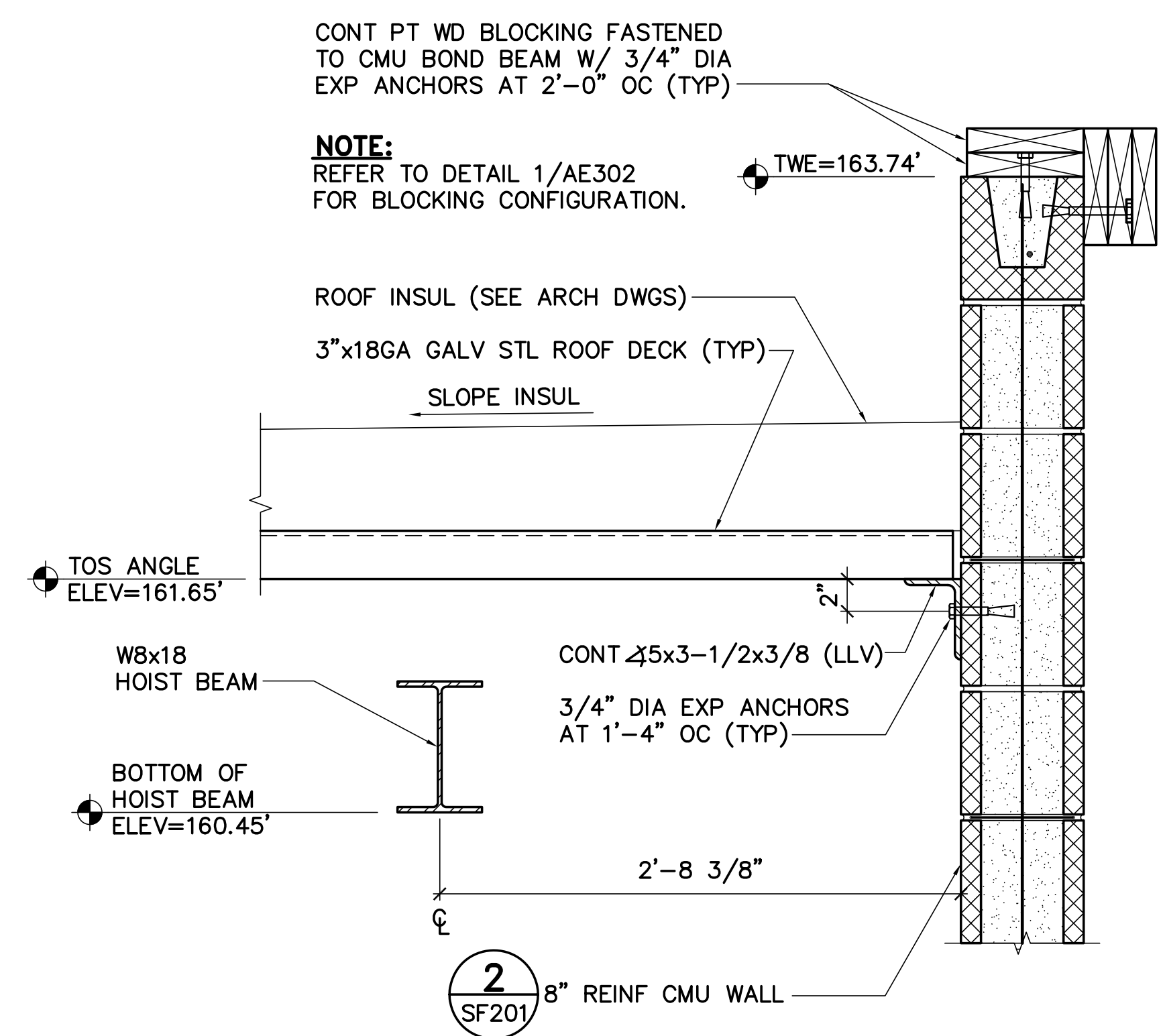


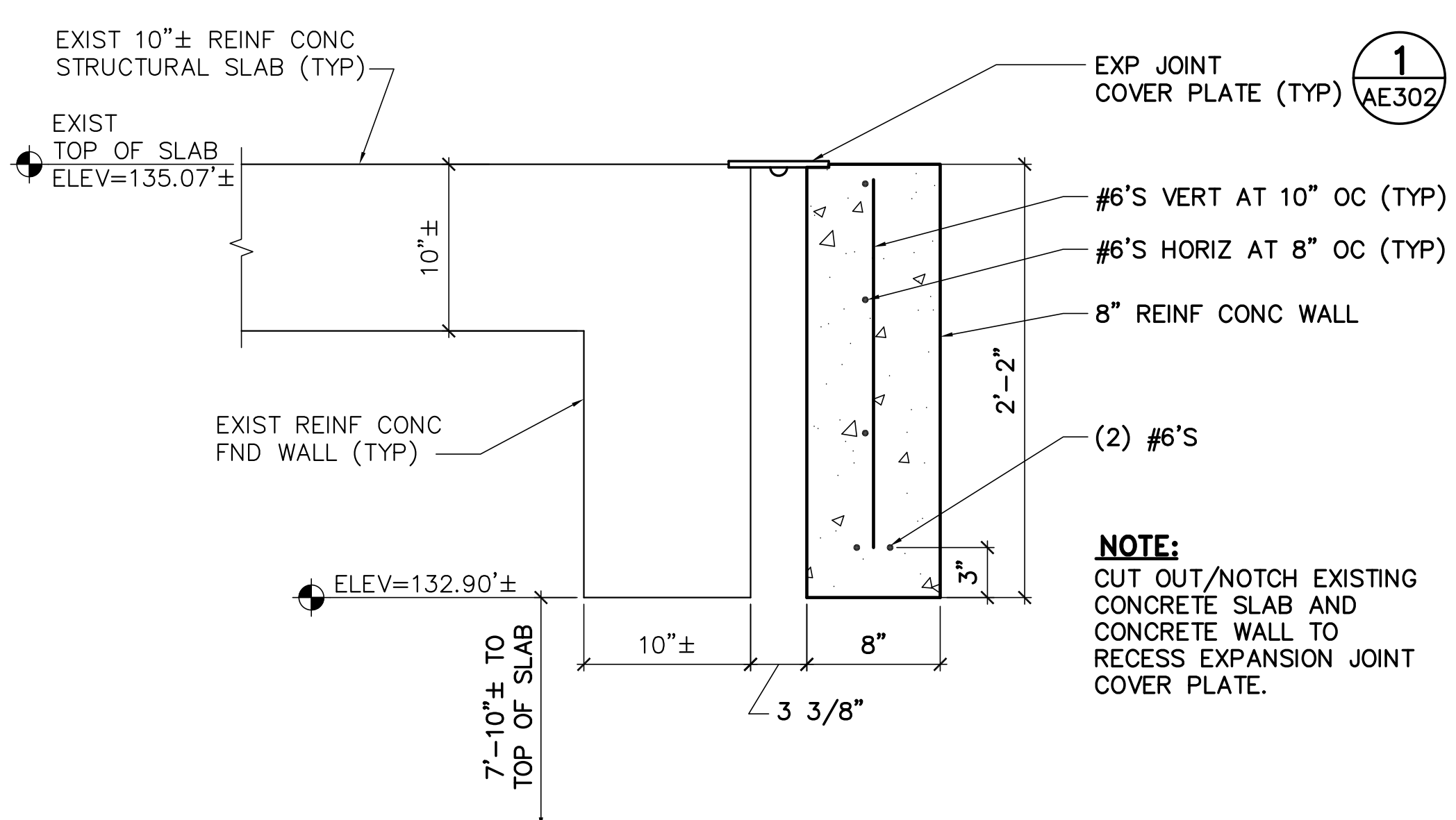
**1 TYP ROOF DECK CONN DETAIL**  
SF101/SF501 SCALE: 1-1/2"=1'-0"



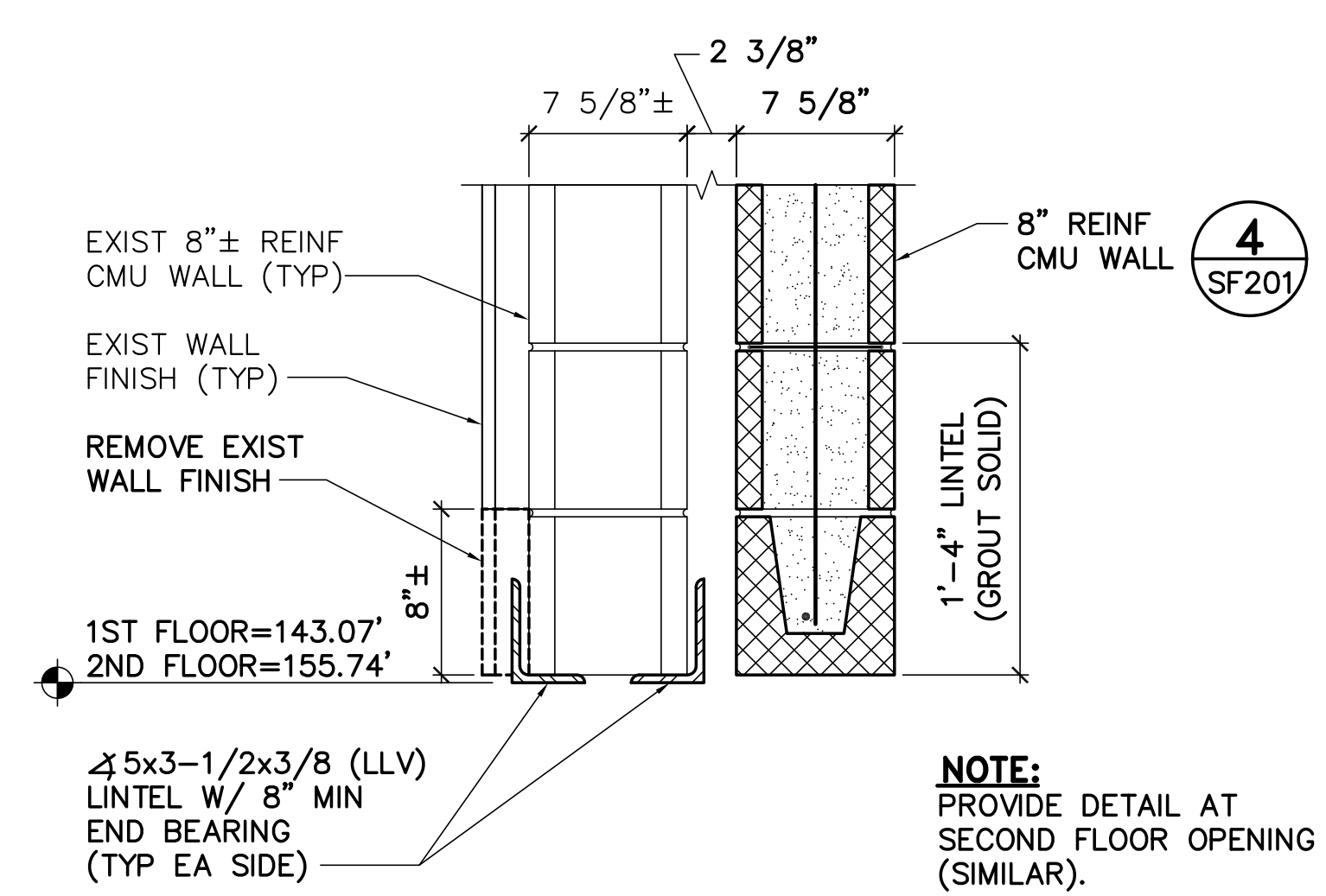
**2 TYP HOIST BEAM CONN DETAIL**  
SF101/SF501 SCALE: 1-1/2"=1'-0"



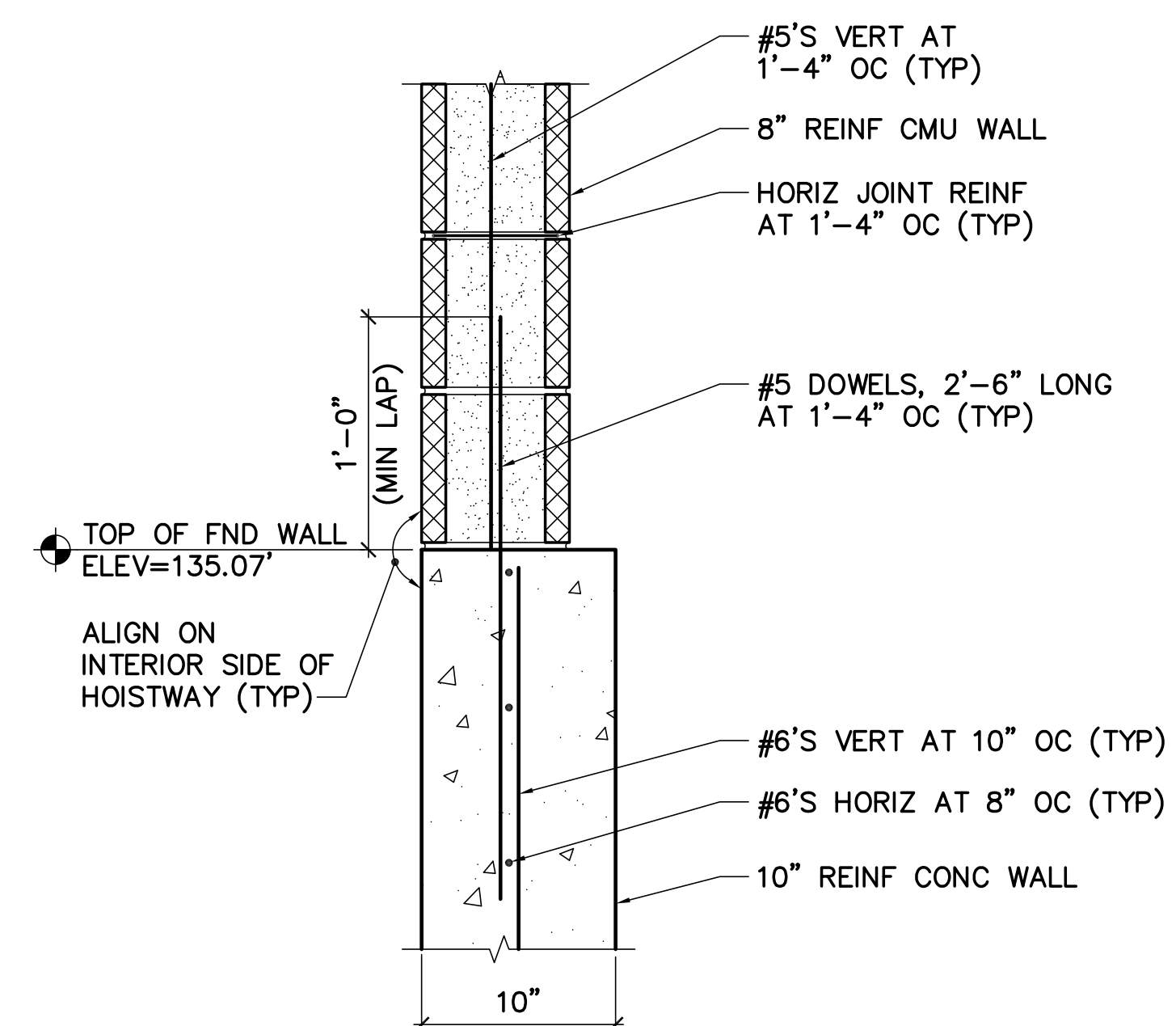
**3 TYP ROOF DECK CONN DETAIL**  
SF101/SF501 SCALE: 1-1/2"=1'-0"



**4 TYP EXP JOINT COVER PLATE DETAIL**  
SF101/SF501 SCALE: 1-1/2"=1'-0"



**5 TYP STL LINTEL DETAIL AT EXIST CMU WALL**  
SF101/SF501 SCALE: 1-1/2"=1'-0"



**6 TYP 8" CMU WALL TO 10" CONC FND WALL CONN DETAIL**  
SF101/SF501 SCALE: 1-1/2"=1'-0"

