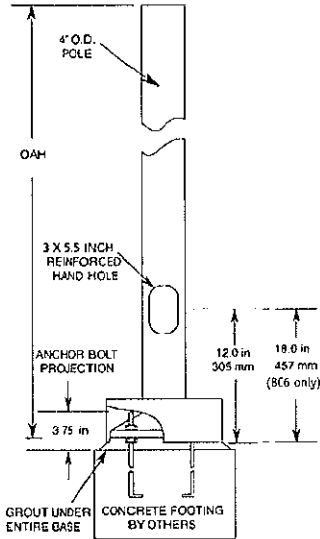


PREMIUM POLES

POLES/ARMS/ACCESSORIES



FEATURES

AAL poles are designed for maximum strength to resist wind loads and perform with a wide variety of fixtures, arms and accessories. Whether the pole is ten feet or twenty five feet tall, the same robust design and structural integrity is built into every pole. At AAL, we design and manufacture aluminum poles for the best balance of strength, corrosion resistance, and longevity.

ROUND ALUMINUM POLES

CATALOG NUMBER	PR3	PR4	PR5
POLE HEIGHT(S)	8' to 10'	8' to 20'	10' to 25'
BASE DIAMETER	9"	9"	12.5"
POLE DIAMETER	3"	4"	5"

Fixture must be grounded in accordance with local codes or the National Electric Code. Failure to do so may result in serious personal injury. Poles should never be erected without the luminaire installed.

SQUARE ALUMINUM POLES

CATALOG NUMBER	PS3	PS4	PS5
POLE HEIGHT(S)	8' to 10'	8' to 20'	10' to 20'
BASE DIAMETER	7" square	9" square	14" square
POLE DIAMETER	3"	4"	5"

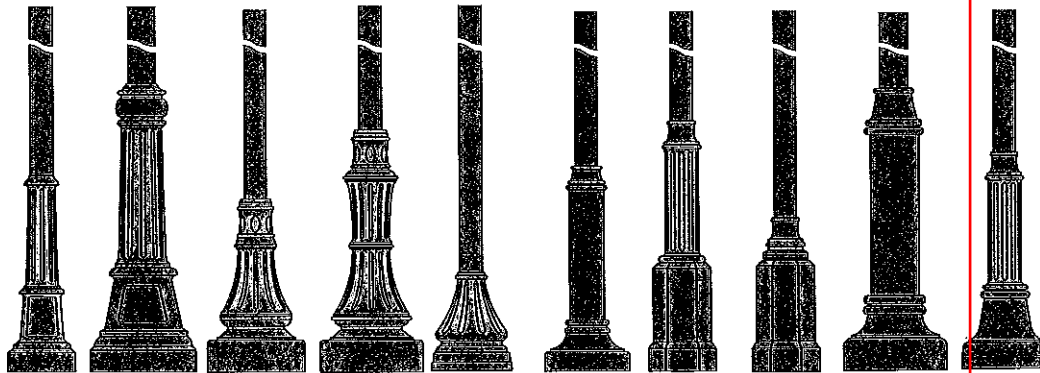
Warranty is voided if the pole is erected without the luminaire. Adequate drainage must be provided in concrete foundation or in the grout.

Please visit www.aal.net for complete pole specifications

DECORATIVE BASE COVERS

Model	Description
BC1	12.75" x 8.25" - One-piece For a 4" or 5" pole
BC5	14" x 24" - Two-piece For a 4" or 5" pole
BC6	17" x 13" - Two-piece For a 4" or 5" pole
BC7	18" x 30" - Two-piece For a 4" or 5" pole
BC8	12" x 36" - Two-piece For a 4" pole
ACBCR	14" x 18" - One-piece For a 4" round pole
ACBCS	14" x 18" - One-piece For a 4" square pole

DECORATIVE POLES



	DB1	DB2	DB3	DB4	DB5	DB6	DB8	DB9	DB10	DB12
1	34"	51"	30"	42"	17"	36"	44"	27"	48"	39"
2	12"	20"	18"	18"	14"	15"	12"	18"	16"	16"
3	8' to 16'	10' to 25'	8' to 25'	8' to 25'	8' to 16'	8' to 16'	8' to 16'	8' to 16'	10' to 25'	8' to 16'
4	4"	5"	4" or 5"	4" or 5"	4"	4"	4"	4"	5"	4"

REFERENCE

1. BASE HEIGHT
2. BASE DIAMETER
3. POLE HEIGHT(S)
4. POLE DIAMETER

Visit www.aal.net for complete details on weight and load limits as well as windloading information. Decorative poles are available with smooth round or fluted shafts.

MULTI POST POLES

	C4P	T4P
1	12.5"	16"
2	8' to 20'	8' to 20'
3	(4) 2"	(4) 2"