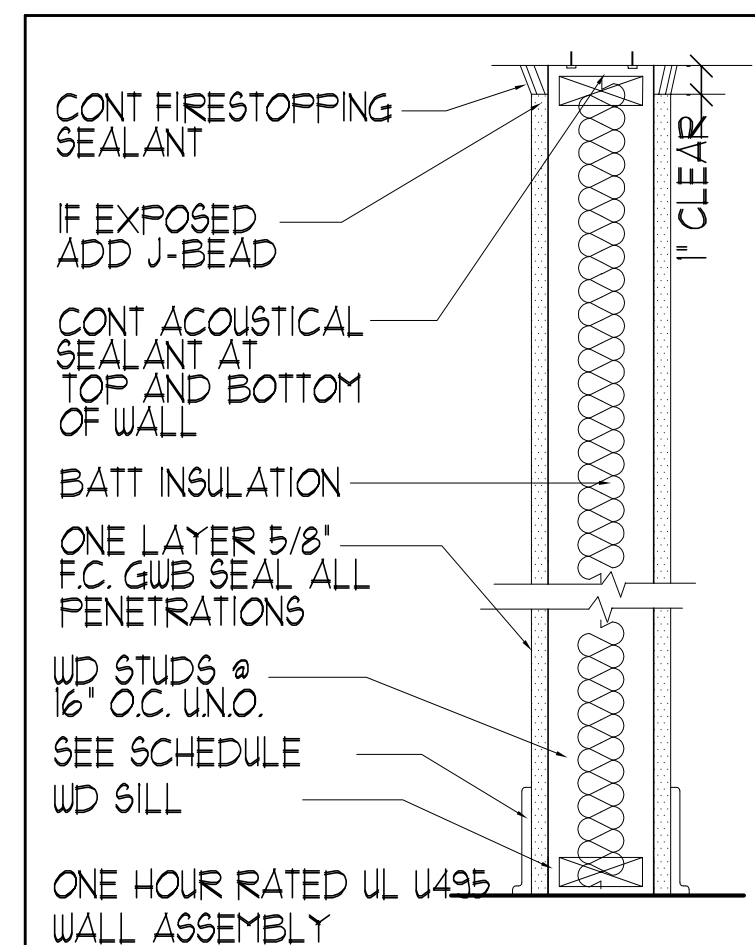
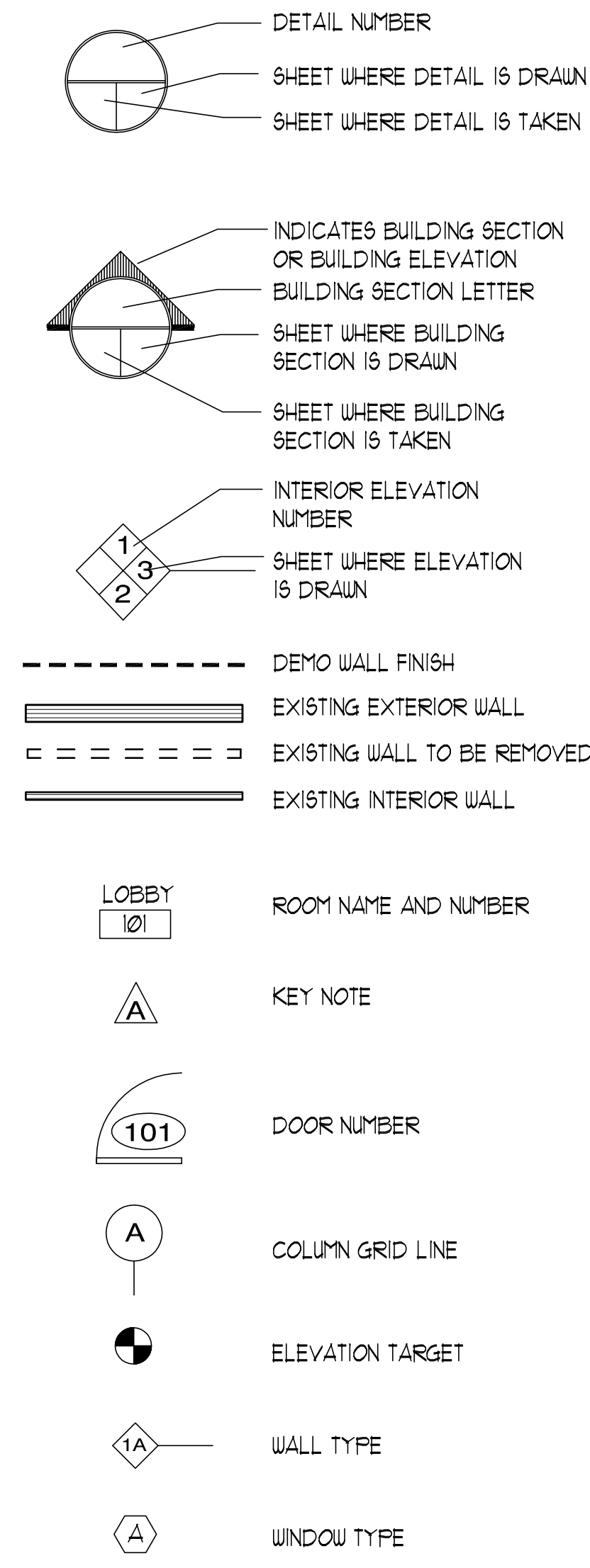


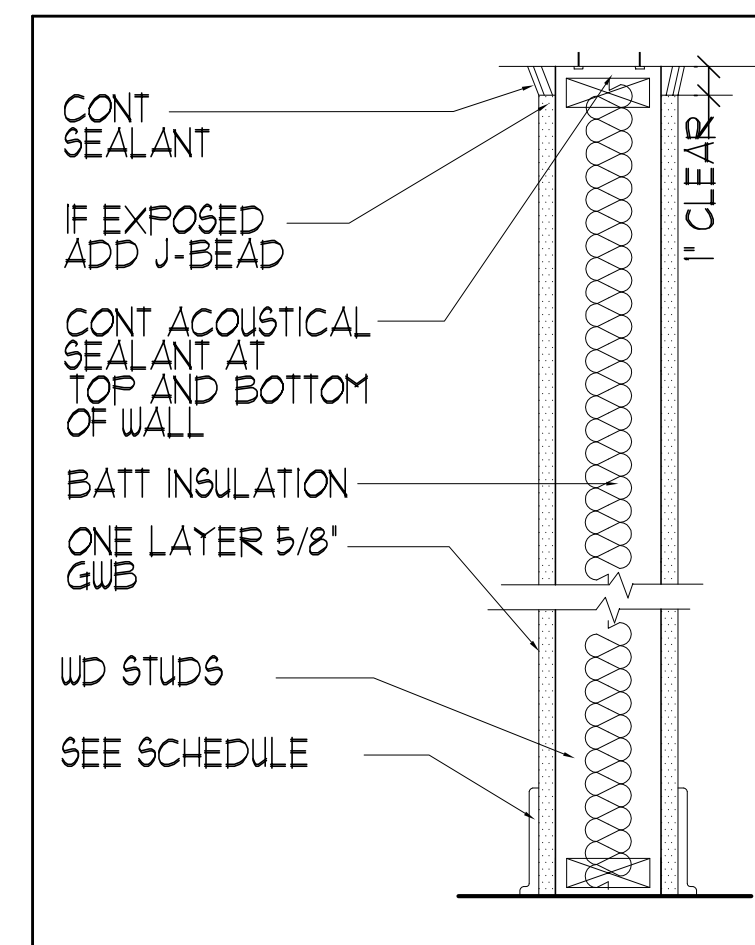
TYPICAL ABBREVIATIONS

4	AND	DWG	DRAWING	IBC	INSTALLED BY CONTRACTOR	S	SOUTH
ANG	ANGLE	E	EAST	IN	INCHES	SAT	SUSPENDED ACOUSTICAL TILE
@	AT	EA	EACH	INSUL	INSULATION	SCHED	SCHEDULE
ADA	AMERICAN DISABILITIES ACT	EJ	EXPANSION JOINT	INT	INTERIOR	SD	STORM DRAIN
ADJ	ADJUST OR ADJACENT	ELEC	ELECTRIC	JT	JOINT	SECT	SECTION
AFF	ABOVE FINISH FLOOR	ELEV	ELEVATION	LAM	LAMINATED	SF	SQUARE FEET
ALUM	ALUMINUM	EMP	EMPLOYEE	LB	POUNDS	SIM	SIMILAR
ARCH	ARCHITECT OR ARCHITECTURAL	ENCL	ENCLOSE	LF	LINEAR FEET	SP	SHELL PACKAGE
AVG	AVERAGE	ENT	ENTRY or ENTRANCE	LL	LIVE LOAD	SPEC	SPECIFICATIONS
BD	BOARD	EQ	EQUAL	LWC	LIGHT WEIGHT CONCRETE	SS	STAINLESS STEEL
BLDG	BUILDING	EQUIP	EQUIPMENT	MAX	MAXIMUM	SQ	SQUARE
BLKG	BLOCKING	EWC	ELECTRIC WATER COOLER	MECH	MECHANICAL	STD	STANDARD
BM	BEAM	EXH	EXHAUST	MFG	MANUFACTURE	STL	STEEL
BO	BOTTOM OF	EXIST	EXISTING	MH	MAN HOLE	STRUC	STRUCTURAL
C	CENTER LINE	EXP	EXPANSION	MIL	MILLIMETER	SUSP	SUSPENDED
CAB	CABINET	EXT	EXTERIOR	MIN	MINIMUM	SYMM	SYMMETRICAL
CLG	CEILING	FBO	FURNISHED BY OWNER	MSB	MAIN SWITCH BOARD	T	THERMOSTAT
CLR	CLEAR	FDN	FOUNDATION	MTD	MOUNTED	T & B	TOP AND BOTTOM
CMU	CONCRETE MASONRY UNIT	FF	FINISH FLOOR	MTL	METAL	TEL	TELEPHONE
CNTR	COUNTER	FFE	FINISH FLOOR ELEVATION	MW	MICROWAVE	TGL	TEMPERED GLASS
COL	COLUMN	FIN	FINISH	N	NORTH	THICK	THICKNESS
CONC	CONCRETE	FIXT	FIXTURE	N/A	NOT APPLICABLE	TI	TENANT IMPROVEMENTS
CONT	CONTINUOUS	FLG	FLOORING	NAT	NATURAL	T.O.	TOP OF
COORD	COORDINATE	FLR	FLOOR	NIC	NOT IN CONTRACT	TOJ	TOP OF JOIST
COR	CORNER	FLUOR	FLUORESCENT	#	NUMBER	TOS	TOP OF STEEL
CPT	CARPET	FT	FOOT or FEET	NTS	NOT TO SCALE	TYP	TYPICAL
CW	COLD WATER	GA	GAUGE	OC	ON CENTER	UL	UNDERWRITERS LABORATORIES, INC
DBL	DOUBLE	GALV	GALVANIZED	OH	OVER HEAD	UNO	UNLESS NOTED OTHERWISE
DEG	DEGREE	GC	GENERAL CONTRACTOR	PAR	PARALLEL	VB	VINYL BASE
DHW	DOMESTIC HOT WATER	GL	GLASS	P/C	PRECAST CONCRETE	VCT	VERTICAL
DIA	DIAMETER	GWB	GYP SUM WALL BOARD	PERF	PREFRORATED	VERT	VINYL COMPOSITE TILE
DIM	DIMENSION	HGT	HEIGHT	PERP	PERPENDICULAR	VIF	VERIFY IN FIELD
DN	DOWN	HM	HOLLOW METAL	PL	PLATE	W	WIDE or WEST
DR	DOOR	HORIZ	HORIZONTAL	P-LAM	PLASTIC LAMINATE	WD	WOOD
DS	DOWN SPOUT	HR	HOUR	PLAS	PLASTER	WC	WATER COOLER
DW	DISH WASHER	HVAC	HEATING, VENTILATION & AIR CONDITION	PLBG	PLUMBING	W/	WITH
						W/O	WITHOUT
						X	EXISTING

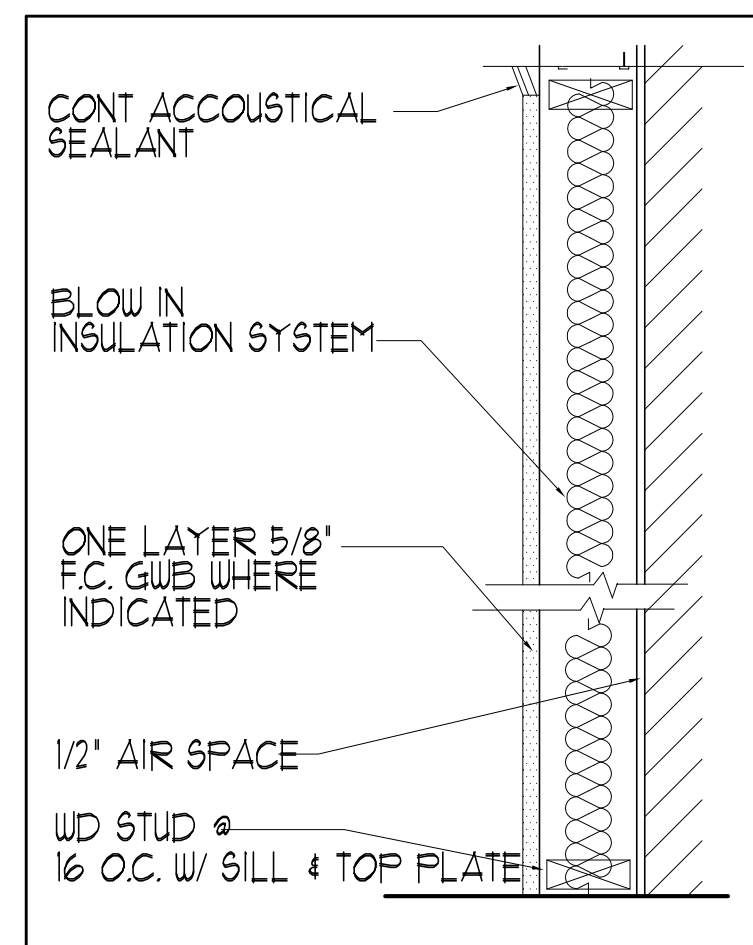
LEGEND



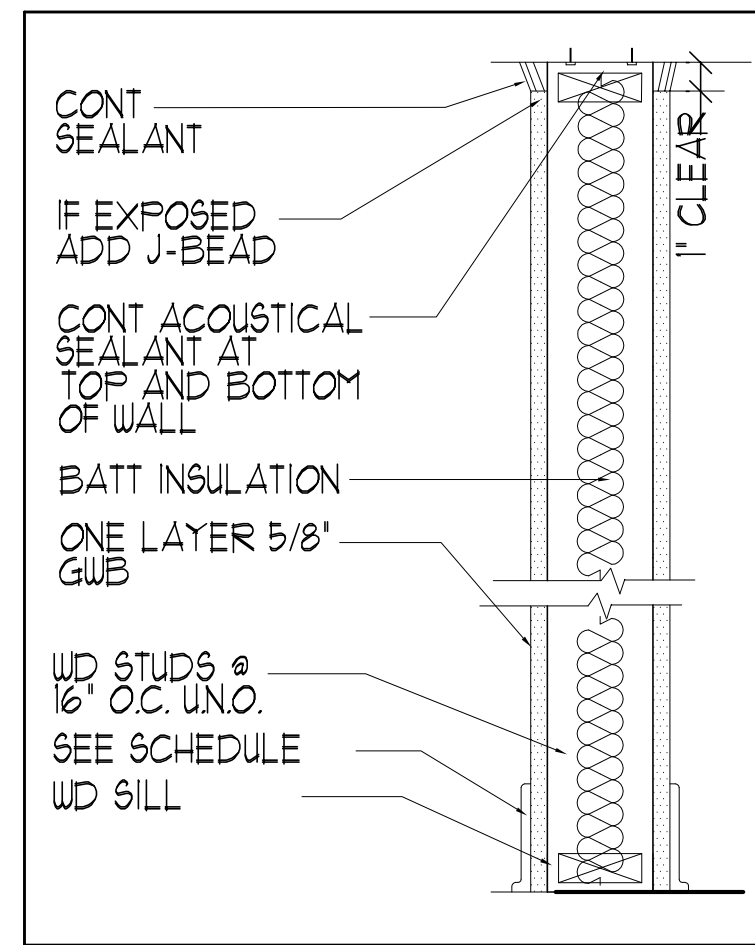
2x4 WD STUD-FULL HGT ONE HOUR RATED 1A



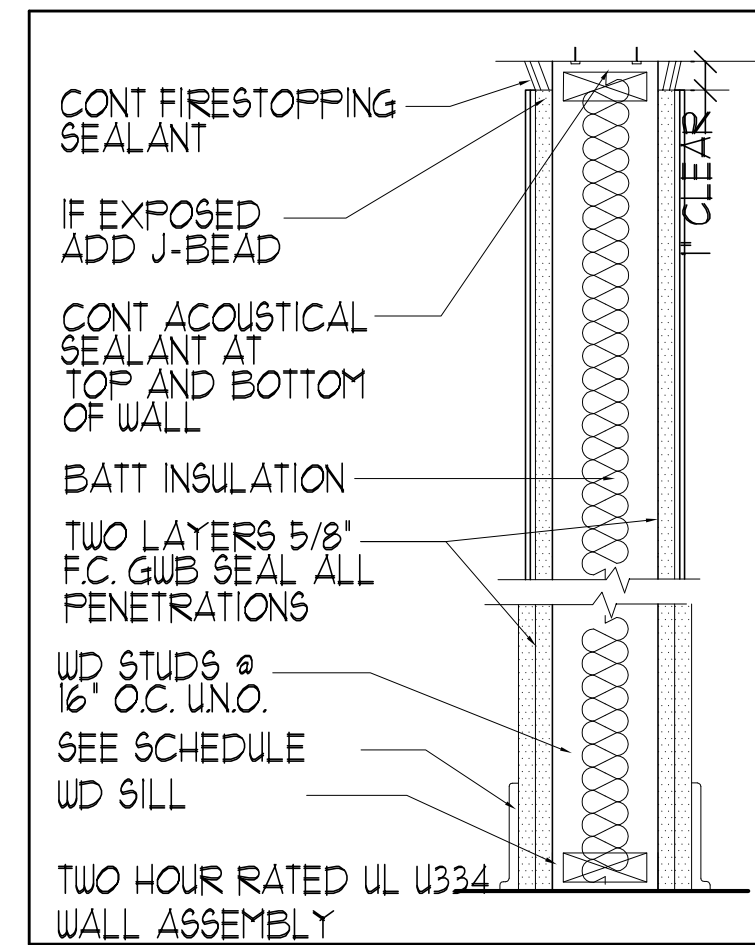
EXIST WD STUD-FULL HGT NO RATING BA



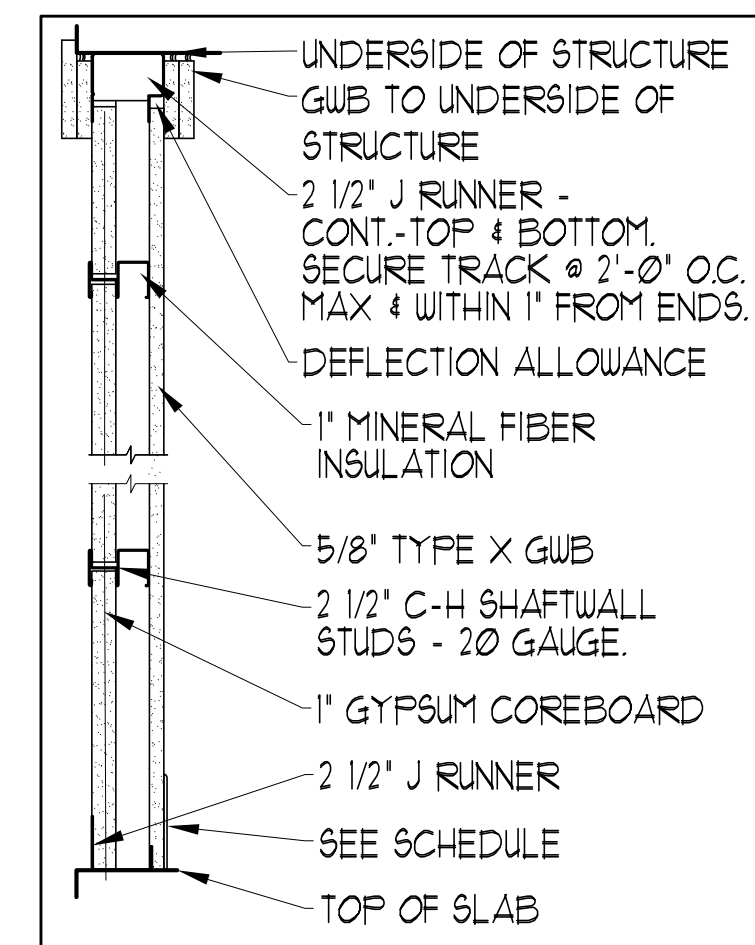
FURRED WALL W/ 2x4 WD STUD W/ 5/8" GWB & 3" SPRAY INSULATION NA
FURRED WALL W/ 1/8" MTL HAT CHANNEL W/O INSULATION NB
FURRED WALL W/ 2x8 WD STUD W/ 5/8" GWB & 3" SPRAY INSULATION NC
FURRED WALL W/ 3 5/8" MTL STUD -SEE PLAN FOR THICKNESSES ND



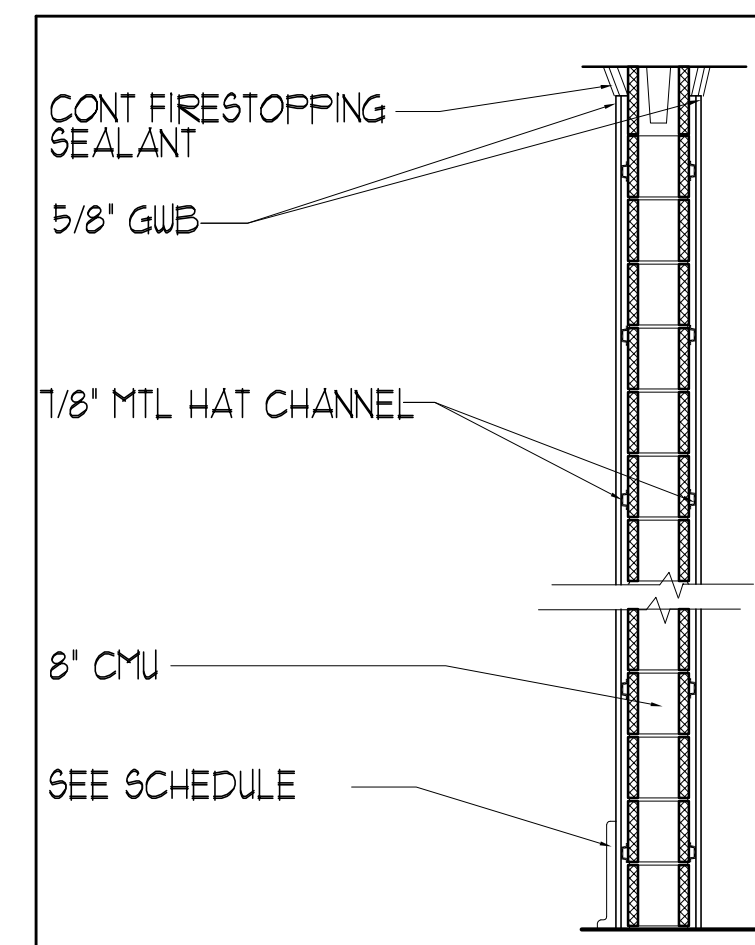
2x4 WD STUD-FULL HGT NO RATING AA
2x6 WD STUD-FULL HGT NO RATING AB
2x8 WD STUD-FULL HGT NO RATING AC



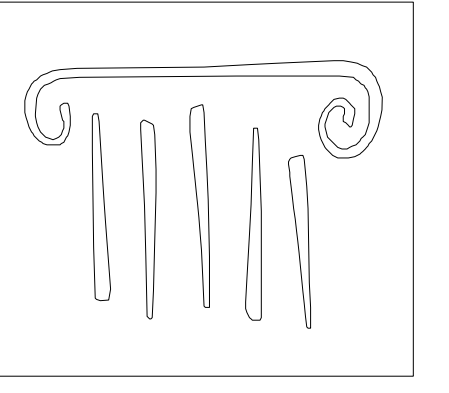
2x4 WD STUD-FULL HGT TWO HOUR RATED 2A



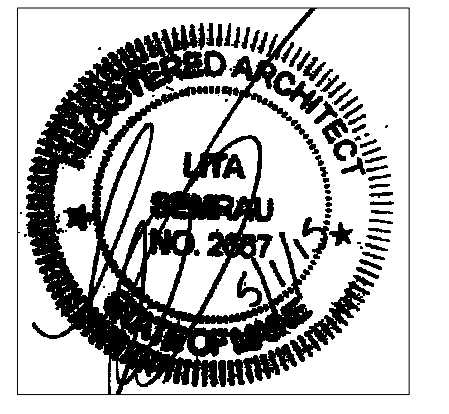
2 1/2" SHAFT WALL 1 HOUR RATED UL U469 1S



CMU BLOCK WALL TWO HOUR RATED 2B



65 NEWBURY STREET
PORTLAND, ME 04101
207.761.9000
info@portcityarch.com
WWW.PORTCITYARCH.COM



UNE
UNIVERSITY OF NEW ENGLAND
Allied Engineering
Structural Mechanical Electrical Commissioning
CONSIGLI
Est. 1995
BECKER
STRUCTURAL ENGINEERS

PERMIT SET

REVISIONS		
No.	Description	Date

UNIVERSITY OF NEW ENGLAND
PORTLAND, MAINE
ALUMNI HALL RENOVATION

WALL TYPES
Project Number 14525
Date May 03, 2015
Drawn by JP TS SM AR
Checked by LAS
T1.2
Scale AS NOTED