

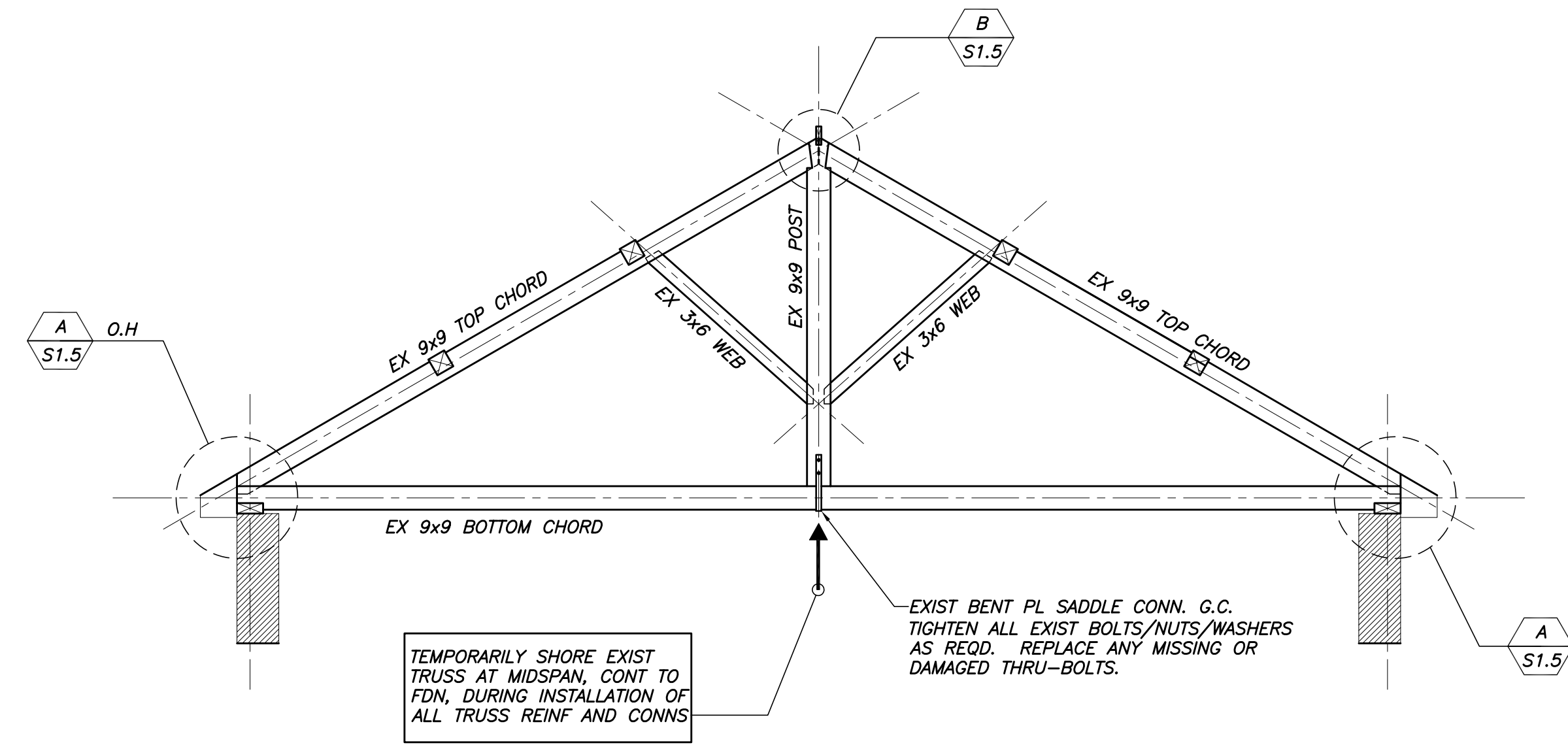
EXIST ROOF FRAMING PLAN
1/4"=1'-0"

NOTES:

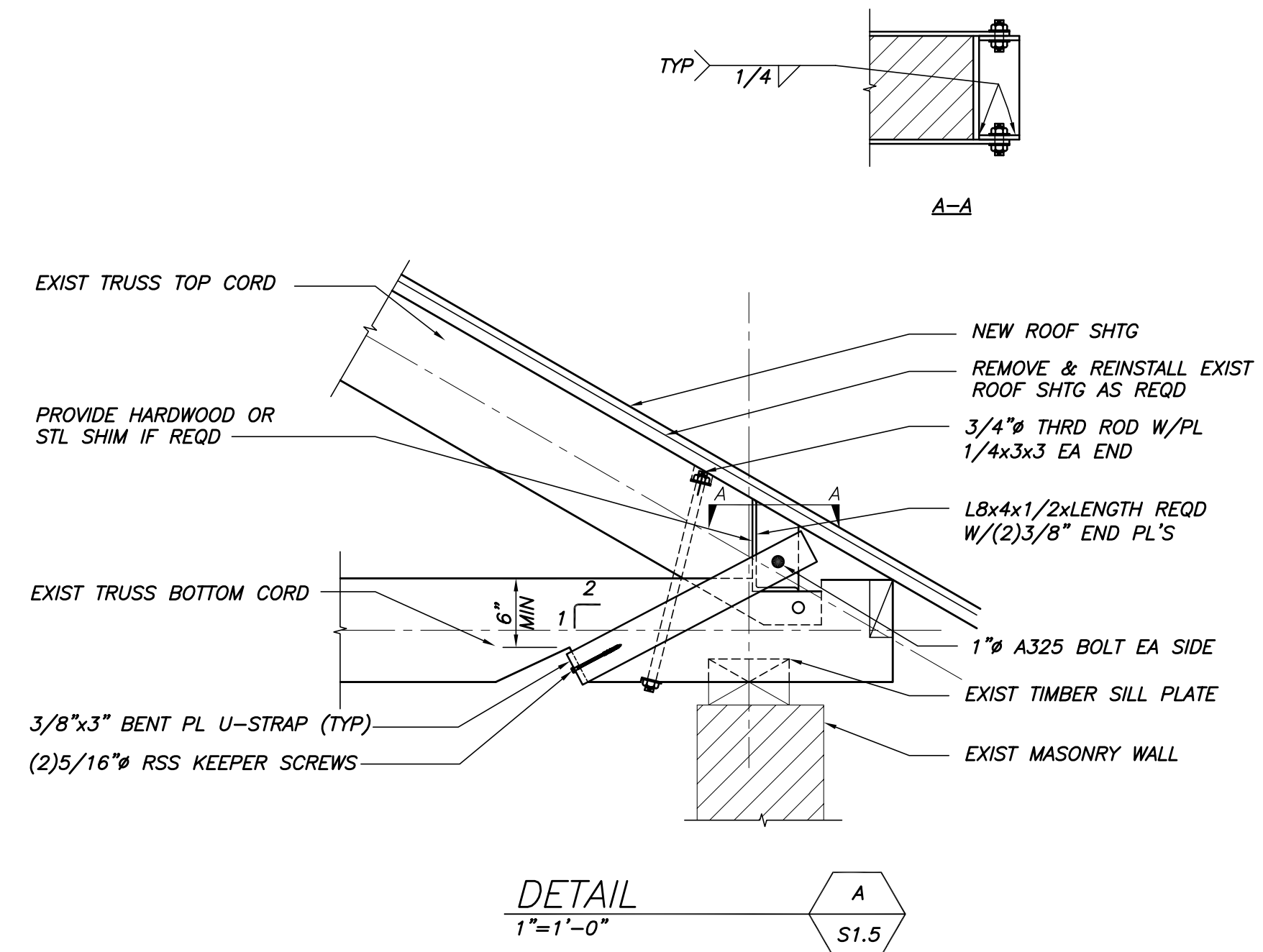
1. INDICATES 5/8" T&G SHTG INSTALLED OVER EXIST BOARD SHTG.

SIMPSON HUB HANGER
AT EXIST PURLIN CONN
TO TRUSS (TYP, U.N.O.)
SHIM TIGHT AS REQD.

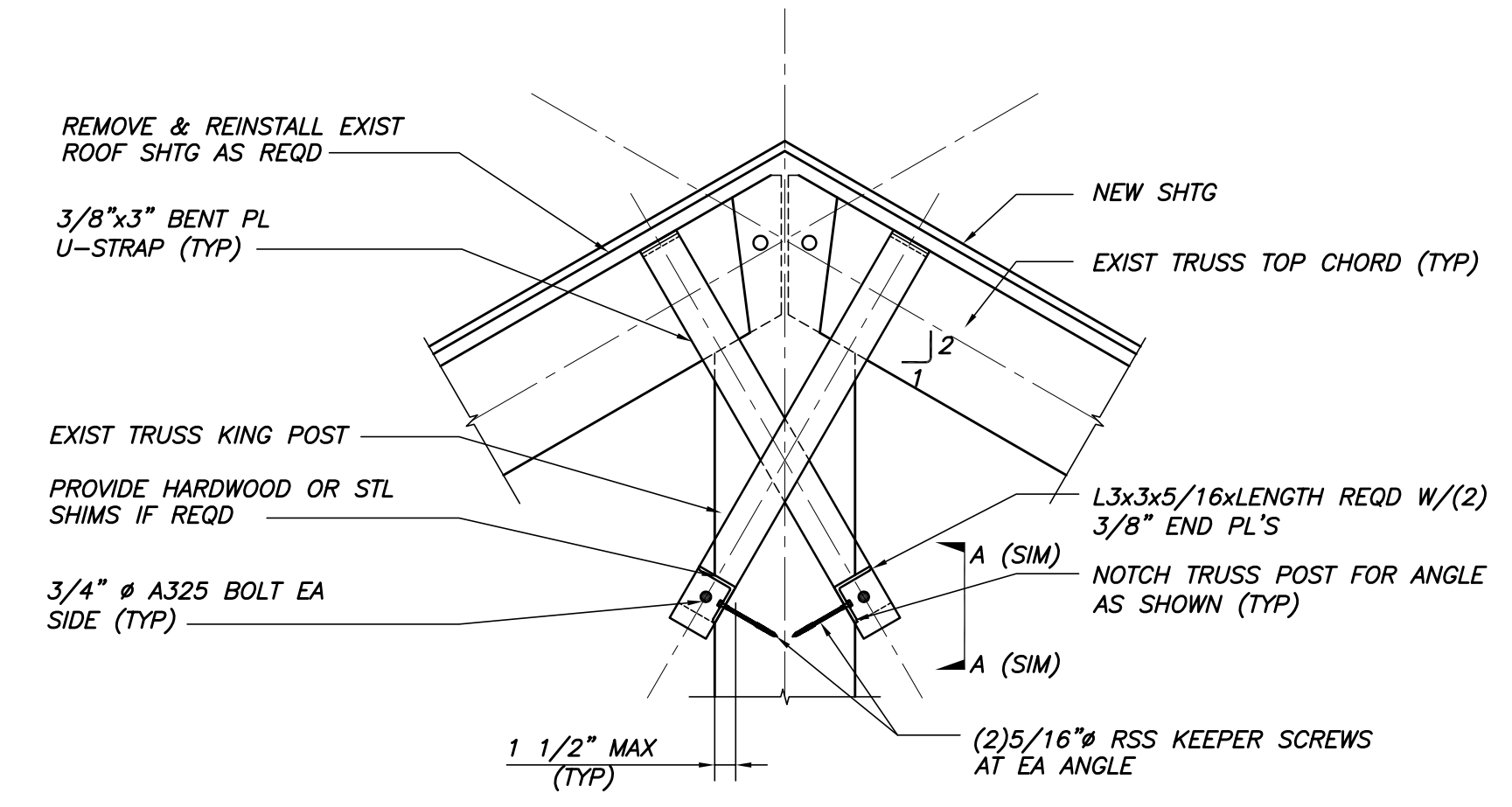
REIN EXIST PURLIN
CONN AT HIP BEAM,
TYP



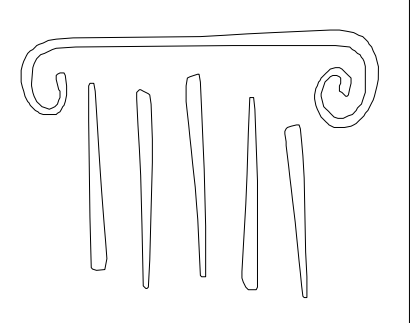
TYP EXIST TRUSS ELEVATION



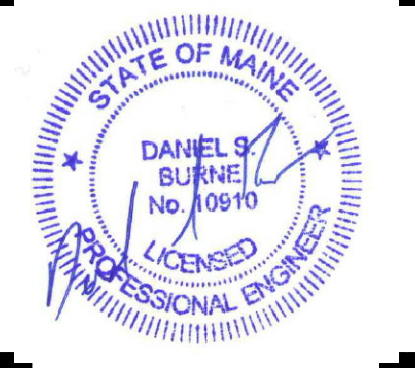
DETAIL A
1"=1'-0"



DETAIL B
1"=1'-0"



65 NEWBURY STREET
PORTLAND, ME 04101
207.761.9000
info@portcityarch.com
WWW.PORTCITYARCH.COM



UNE
UNIVERSITY OF
NEW ENGLAND

Allied Engineering
Structural Mechanical Electrical Commissioning

CONSIGLI
Est. 1905

BECKER
STRUCTURAL ENGINEERS

REVISIONS		
No.	Description	Date

PERMIT SET

**UNIVERSITY OF
NEW ENGLAND**
PORTLAND, MAINE

**ALUMNI HALL
RENOVATION**

**EXIST ROOF
FRAMING PLAN**

Project Number	3450
Date	May 1, 2015
Drawn by	MSK
Checked by	CGW

S1.5

Scale AS NOTED