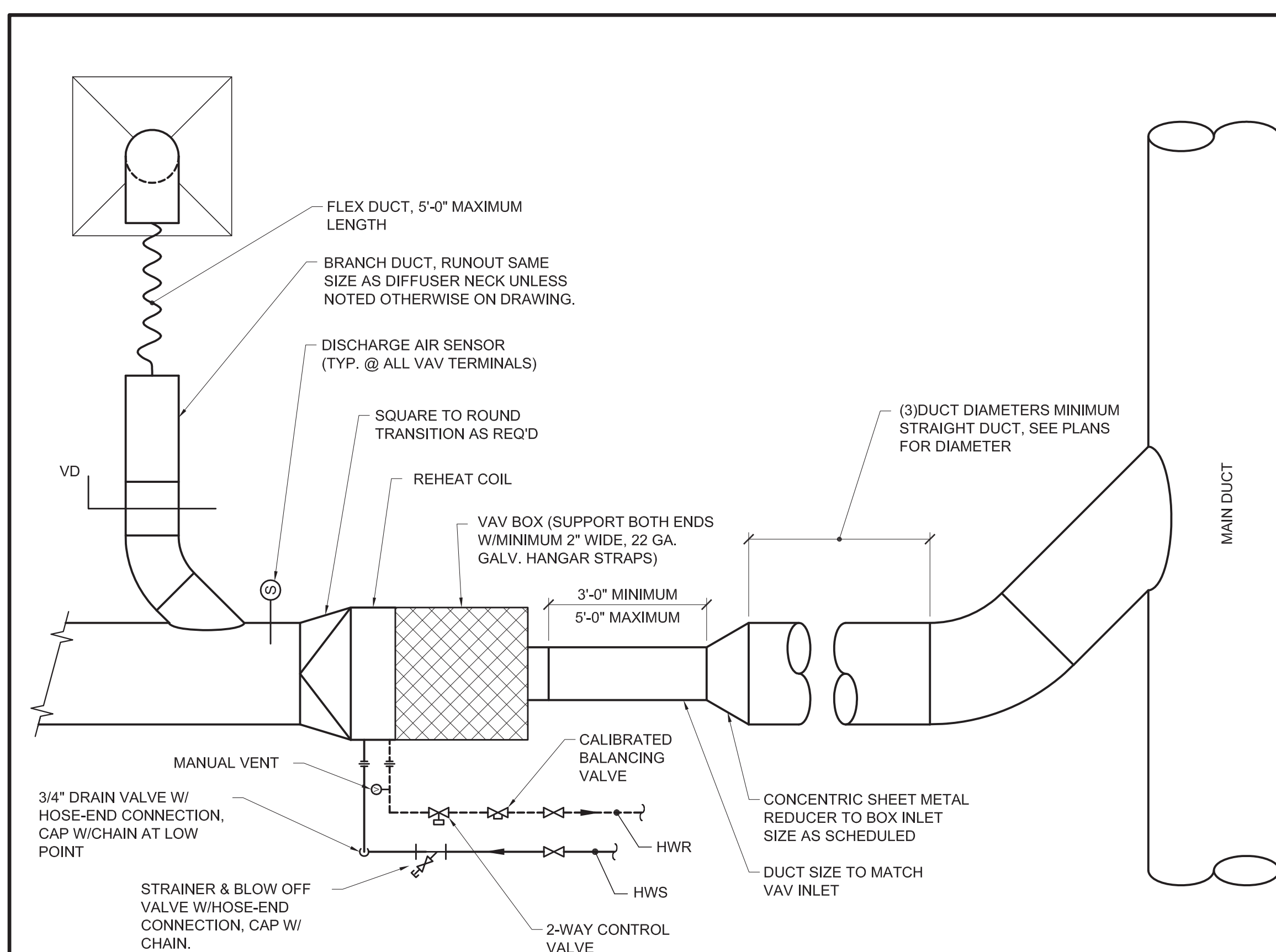


KEYED NOTES

- 1 VAV 1-2: SERVES CONFERENCE 108 - 10" INLET DUCT
- 2 VAV 1-1: SERVES MECH 001 - 5" INLET DUCT, 8"Ø OUTLET DUCT UP
- 3 VAV 1-5: SERVES LOUNGE 201 - 5" INLET DUCT, 10"Ø OUTLET DUCT UP
- 4 VAV 1-3: SERVES LOBBY 101 - 5" INLET DUCT, 8"Ø OUTLET DUCT UP
- 5 VAV 1-4: SERVES LOBBY 104/CONFERENCE 105 - 8" INLET DUCT, 10x12 OUTLET DUCT UP
- 6 VAV 1-9: SERVES ADMIN 207 - 4" INLET DUCT, 8"Ø OUTLET DUCT UP
- 7 VAV 1-10: SERVES PROVOST 209 - 5" INLET DUCT, 10"Ø OUTLET DUCT UP
- 8 VAV 1-11: SERVES OFFICE 206/LOBBY 204 - 5" INLET DUCT, 8"Ø OUTLET DUCT UP



FLEX DUCT, 5'-0" MAXIMUM LENGTH

BRANCH DUCT, RUNOUT SAME SIZE AS DIFFUSER NECK UNLESS NOTED OTHERWISE ON DRAWING.

DISCHARGE AIR SENSOR (TYP. @ ALL VAV TERMINALS)

SQUARE TO ROUND TRANSITION AS REQ'D

REHEAT COIL

VAV BOX (SUPPORT BOTH ENDS W/ MINIMUM 2" WIDE, 22 GA. GALV. HANGAR STRAPS)

3'-0" MINIMUM 5'-0" MAXIMUM

MANUAL VENT

3/4" DRAIN VALVE W/ HOSE-END CONNECTION, CAP W/ CHAIN AT LOW POINT

STRAINER & BLOW OFF VALVE W/ HOSE-END CONNECTION, CAP W/ CHAIN.

CALIBRATED BALANCING VALVE

HWR

HWS

2-WAY CONTROL VALVE

CONCENTRIC SHEET METAL REDUCER TO BOX INLET SIZE AS SCHEDULED

DUCT SIZE TO MATCH VAV INLET

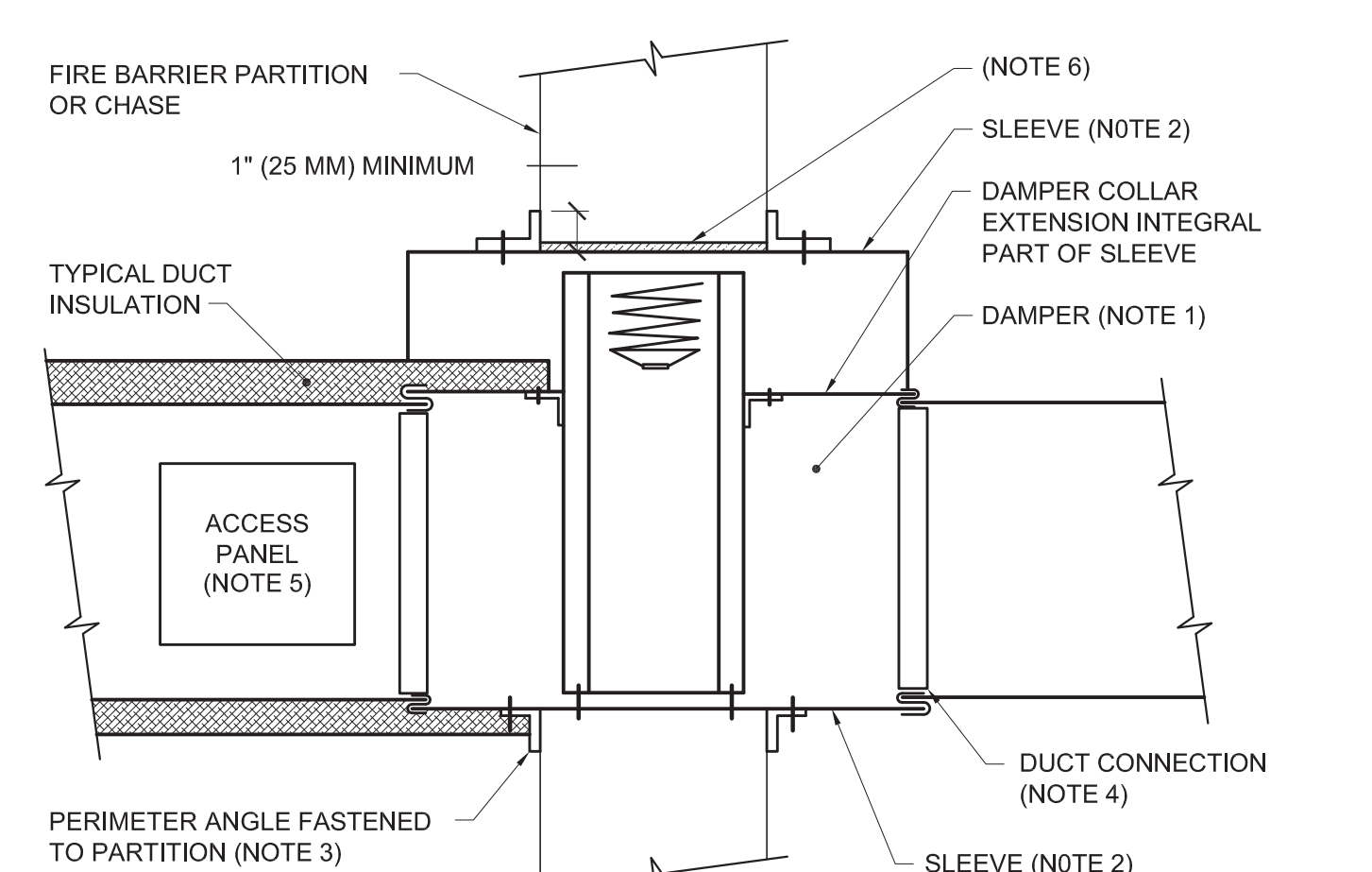
(3) DUCT DIAMETERS MINIMUM STRAIGHT DUCT, SEE PLANS FOR DIAMETER

MAIN DUCT

F8

DETAIL ~ RETURN AIR REGISTER BOOT

NOT TO SCALE



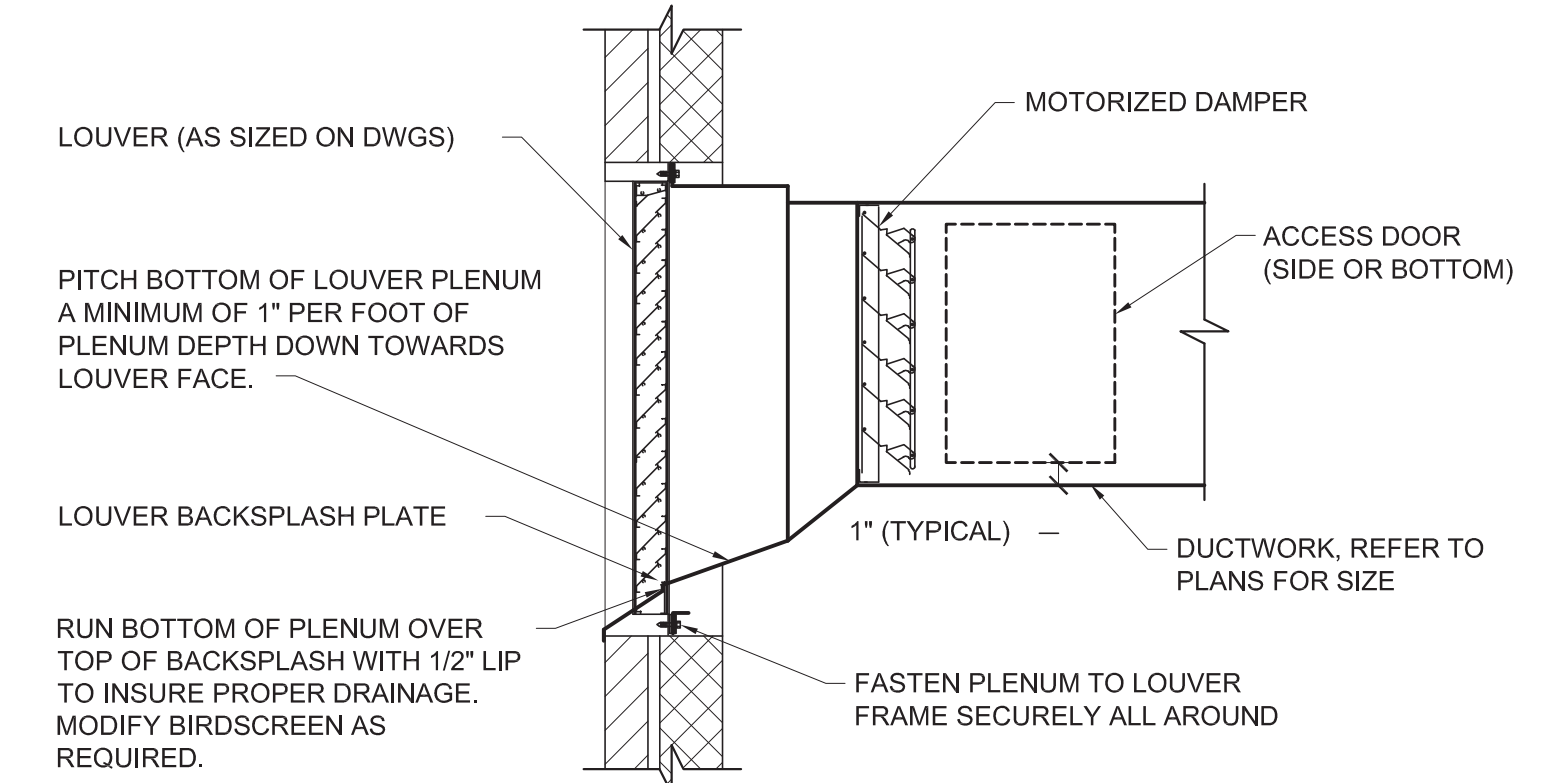
NOTES:

- A VERTICAL DAMPER IS SHOWN. HORIZONTAL DAMPER INSTALLATION IS SIMILAR. FOLLOW MANUFACTURER'S INSTRUCTIONS, INCLUDING FASTENER OPTIONS AND GAGES FOR SLEEVE AND PERIMETER ANGLES. FIRE DAMPERS MUST BE INSTALLED IN THE PARTITION OR FLOOR AND NOT OUTSIDE THE PENETRATION.
- GALVANIZED SLEEVE: GAGE NOT LESS THAN CONNECTING DUCT. FASTEN SLEEVE TO DAMPER FRAME AND TO PERIMETER ANGLES.
- PERIMETER ANGLES: GALVANIZED STEEL, NOT LESS THAN 1-1/2" x 1-1/2" (40x40mm), 14 GAGE, TO PROVIDE 1" (25mm) MINIMUM OVERLAP OF OPENING ON ALL 4 SIDES.
- BREAKAWAY DUCT CONNECTION: CONTRACTOR'S OPTION OF TYPES SHOWN IN SMACNA LPDS, FIG. 2-13, SEAL JOINTS.
- ACCESS PANELS: SIZE AND LOCATION TO PERMIT SERVICING THE FUSIBLE LINK OR LINKS.

C8

DETAIL ~ TYPICAL FIRE DAMPER INSTALLATION

NOT TO SCALE



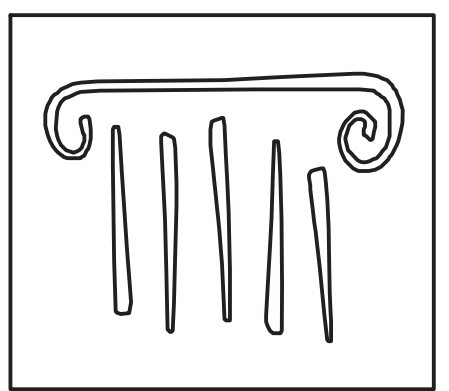
NOTES:

- DETAIL IS BASED UPON RUSKIN MODEL No. ELF375D. FOR ALTERNATE MANUFACTURERS, COORDINATE AS REQUIRED FOR WEATHERTIGHT INSTALLATION PER MANUFACTURER'S RECOMMENDATIONS.
- COORDINATE LOUVER FRAME CONSTRUCTION WITH SIDING MANUFACTURER TO INSURE PROPER FLASHING CAPABILITIES FOR A WEATHERTIGHT INSTALLATION.
- SEAL BOTTOM OF PLENUM WATER TIGHT.

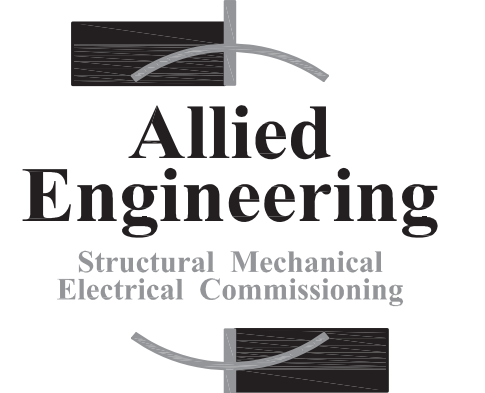
A8

DETAIL ~ EXTERIOR EXHAUST LOUVER

NOT TO SCALE

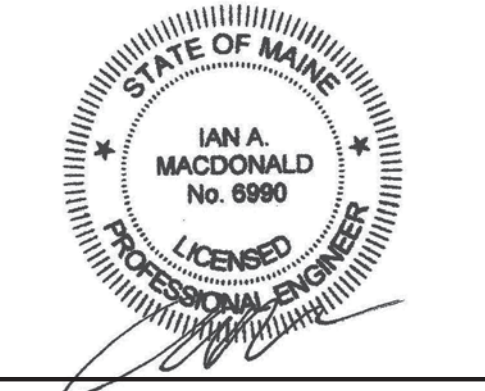


65 NEWBURY STREET
 PORTLAND, ME 04101
 207.761.9000
 info@portcityarch.com
 WWW.PORTCITYARCH.COM



160 Veranda Street
 Portland, Maine 04103
 T: 207.221.2260
 F: 207.221.2266
 Web: www.allied-eng.com

ALLIED PROJECT No: 14088
 Graphic Scale: 1" = 12' 0" 1"



REVISIONS

| No. | Description | Date |
|-----|-------------|------|
| | | |
| | | |
| | | |
| | | |
| | | |
| | | |
| | | |
| | | |
| | | |
| | | |
| | | |
| | | |
| | | |
| | | |
| | | |
| | | |
| | | |
| | | |
| | | |

PERMIT SET

UNIVERSITY OF
 NEW ENGLAND
 PORTLAND, MAINE

ALUMNI HALL
 RENOVATION

MECHANICAL PLAN ~ LOWER LEVEL

| | |
|----------------|-------------|
| Project Number | 14525 |
| Date | May 1, 2015 |
| Drawn by | REW |
| Checked by | HAG |

MH1.1
 Scale AS NOTED

N:\Projects\2014\14088 - UNE - Alumni Hall\00 Drawing Files\14088M.dwg Apr 30, 2015 - 3:41pm