

EROSION AND SEDIMENTATION CONTROL NOTES & DETAILS

TEMPORARY EROSION AND SEDIMENTATION CONTROL MEASURES INCLUDE THE USE OF STABILIZED CONSTRUCTION ENTRANCE, SEDIMENT BARRIER, EROSION CONTROL MIX, STONE CHECK DAMS, HAY BALE BARRIERS, CATCH BASIN INLET BARRIERS, CATCH BASIN SEDIMENT COLLECTION BASIN, EROSION CONTROL BLANKET, AND TEMPORARY SEEDING AND MULCHING AS REQUIRED. PERMANENT DEVICES INCLUDE THE USE OF RIP RAP AT EXPOSED STORM DRAIN AND CULVERT INLETS AND OUTLETS, RIP RAPPED SLOPES, AND PERMANENT VEGETATION.

A. GENERAL

- IT IS ANTICIPATED THAT CONSTRUCTION WILL BEGIN AS SOON AS POSSIBLE FOLLOWING RECEIPT OF NECESSARY PERMITS.
- ALL SOIL EROSION AND SEDIMENT CONTROL MEASURES SHALL BE CONSTRUCTED AND MAINTAINED IN ACCORDANCE WITH THE MAINE EROSION AND SEDIMENT CONTROL BMPs, PUBLISHED BY THE BUREAU OF LAND AND WATER QUALITY MAINE DEPARTMENT OF ENVIRONMENTAL PROTECTION, LATEST EDITION.
- ANY ADDITIONAL EROSION AND SEDIMENTATION CONTROL DEEMED NECESSARY BY THE OWNER'S REPRESENTATIVE, DEPARTMENT OF ENVIRONMENTAL PROTECTION (DEP) PERSONNEL AND/OR MUNICIPAL OFFICIALS SHALL BE INSTALLED BY THE CONTRACTOR.
- THE CONTRACTOR IS RESPONSIBLE FOR ALL FINES RESULTING FROM EROSION OR SEDIMENTATION FROM THE SITE TO SURROUNDING PROPERTIES, WATER BODIES, OR WETLANDS AS A RESULT OF THIS PROJECT.
- THE CONTRACTOR SHALL BE RESPONSIBLE FOR THE REPAIR/REPLACEMENT/MAINTENANCE OF ALL EROSION CONTROL MEASURES UNTIL ALL DISTURBED AREAS ARE STABILIZED TO THE SATISFACTION OF THE ABOVE PERSONNEL. DESCRIPTIONS OF ACCEPTABLE PERMANENT STABILIZATION FOR VARIOUS COVER TYPES FOLLOWS:
 - FOR SEEDED AREAS, PERMANENT STABILIZATION MEANS A 90% RESTORED AREA WITH MATURE, HEALTHY PLANTS WITH NO EVIDENCE OF WASHING OR RILLING OF THE TOPSOIL.
 - FOR SODDED AREAS, PERMANENT STABILIZATION MEANS THE COMPLETE BINDING OF THE SOD ROOTS INTO THE UNDERLYING SOIL WITH NO SLUMPING OF THE SOD OR DIE-OFF.
 - FOR MULCHED AREAS, PERMANENT MULCHING MEANS TOTAL COVERAGE OF THE EXPOSED AREA WITH AN APPROVED MULCH MATERIAL. EROSION CONTROL MIX MAY BE USED AS MULCH FOR PERMANENT STABILIZATION ACCORDING TO THE APPROVED APPLICATION RATES AND LIMITATIONS.
 - FOR AREAS STABILIZED WITH RIPRAP, PERMANENT STABILIZATION MEANS THAT SLOPES STABILIZED WITH RIPRAP HAVE AN APPROPRIATE BACKING OF A WELL-GRADED GRAVEL OR APPROVED GEOTEXTILE TO PREVENT SOIL MOVEMENT FROM BEHIND THE RIPRAP. STONE MUST BE SIZED APPROPRIATELY.
 - PAVED AREAS. FOR PAVED AREAS, PERMANENT STABILIZATION MEANS THE PLACEMENT OF THE COMPACTED GRAVEL SUBBASE IS COMPLETED.
 - FOR OPEN CHANNELS, PERMANENT STABILIZATION MEANS THE CHANNEL IS STABILIZED WITH MATURE VEGETATION AT LEAST THREE INCHES IN HEIGHT, WITH WELL-GRADED RIP RAP, OR WITH ANOTHER NON-EROSIVE LINING CAPABLE OF WITHSTANDING THE ANTICIPATED FLOW VELOCITIES AND FLOW DEPTHS WITHOUT RELIANCE ON CHECK DAMS TO SLOW FLOW. THERE MUST BE NO EVIDENCE OF SLUMPING OF THE LINING, UNDERCUTTING OF THE BANKS, OR DOWN CUTTING OF THE CHANNEL.

B. EROSION AND SEDIMENTATION CONTROL MEASURES

- PRIOR TO THE BEGINNING OF CONSTRUCTION, A STABILIZED CONSTRUCTION ENTRANCE AND TEMPORARY SILT FENCE SHALL BE INSTALLED AS SHOWN ON THE PLANS OR AS DIRECTED BY THE OWNER'S REPRESENTATIVE. IT IS THE INTENT THAT SEDIMENT BARRIERS BE INSTALLED DOWN GRADIENT OF ALL DISTURBED AREAS OF THE SITE. SEDIMENT BARRIERS SHALL BE INSPECTED IMMEDIATELY AFTER EACH RAINFALL AND AT LEAST DAILY DURING PROLONGED RAINFALL. ANY REQUIRED REPAIRS WILL BE MADE IMMEDIATELY. SEDIMENT DEPOSITS SHALL BE PERIODICALLY REMOVED FROM THE UPSTREAM SIDE OF THE SEDIMENT BARRIERS. THIS SEDIMENT WILL BE SPREAD AND STABILIZED IN AREAS OF THE SITE NOT SUBJECT TO EROSION. SEDIMENT BARRIERS SHALL BE REPLACED AS NECESSARY TO PROVIDE PROPER FILTERING ACTION. IF THERE ARE SIGNS OF UNDERCUTTING AT THE CENTER OR THE EDGES, OR IMPOUNDING OF LARGE VOLUMES OF WATER BEHIND THEM, THEY WILL BE REPLACED WITH A TEMPORARY CRUSHED STONE CHECK DAM.
 - ALL CATCH BASINS, NEW OR EXISTING, THAT MAY RECEIVE RUNOFF FROM DISTURBED AREAS MUST BE PROTECTED DURING CONSTRUCTION. INSPECT & CLEAN OUT AS NECESSARY. LEGALLY DISPOSE OF SEDIMENT & REMOVE FLOATABLES WITH OIL ABSORBENT PADS AS APPLICABLE.
 - REMOVAL OF SOD, TREES, BUSHES AND OTHER VEGETATION AND SOIL DISTURBANCE WILL BE KEPT TO A MINIMUM WHILE ALLOWING PROPER SITE DEVELOPMENT.
 - GRUBBINGS AND ANY UNUSABLE TOPSOIL SHALL BE STRIPPED AND REMOVED FROM THE PROJECT SITE AND DISPOSED OF IN AN APPROVED MANNER.
 - ANY SUITABLE TOPSOIL WILL BE STRIPPED AND STOCKPILED FOR REUSE IN FINAL GRADING. TOPSOIL WILL BE STOCKPILED IN A MANNER SUCH THAT NATURAL DRAINAGE IS NOT OBSTRUCTED AND NO OFF-SITE SEDIMENT DAMAGE WILL RESULT. IF A STOCKPILE IS NECESSARY, THE SIDE SLOPES OF THE TOPSOIL STOCKPILE WILL NOT EXCEED 2:1. TOPSOIL STOCKPILES WILL BE TEMPORARILY SEEDED WITH AROOSTOOK RYE, ANNUAL OR PERENNIAL RYE GRASS (DEPENDENT ON DATE SEEDED) WITHIN 7 DAYS OF FORMATION, OR TEMPORARILY MULCHED IF SEEDING CANNOT BE DONE WITHIN THE RECOMMENDED SEEDING DATES.
 - TEMPORARY DIVERSION BERMS AND DRAINAGE SWALES SHALL BE CONSTRUCTED AS NECESSARY.
 - TEMPORARY STABILIZATION SHALL BE CONDUCTED WITHIN 7 DAYS OF INITIAL DISTURBANCE OF SOILS, PRIOR TO ANY RAIN EVENT, AND PRIOR TO ANY WORK SHUT DOWN LASTING MORE THAN ONE DAY. TEMPORARY STABILIZATION INCLUDES SEED, MULCH, OR OTHER NON-ERODABLE COVER. AREAS WITHIN 75 FEET OF WETLANDS SHALL BE TEMPORARILY STABILIZED WITHIN 48 HOURS OR PRIOR TO RAIN EVENT.
 - APPLY HAY OR STRAW MULCH AT A RATE OF 2 TONS PER ACRE, AND ANCHOR AS NECESSARY.
 - TEMPORARY SEEDING SPECIFICATIONS. WHERE THE SEEDBED HAS BEEN COMPACTED BY CONSTRUCTION OPERATIONS, LOOSEN SOIL TO A DEPTH OF 4 INCHES BEFORE APPLYING FERTILIZER, LIME, AND SEED. APPLY LIMESTONE AT A RATE OF 3 TONS PER ACRE (138 LB. PER 1,000 SQUARE FEET) AND 10-10-10 (N-P205-K20) FERTILIZER AT A RATE OF 600 LBS. PER ACRE (13.8 LB. PER 1,000 SQUARE FEET). UNIFORMLY APPLY SEED AT THE RECOMMENDED SEEDING RATES AND DATES, APPLY HAY OR STRAW MULCH AT A RATE OF 2 TONS PER ACRE, AND ANCHOR AS NECESSARY.
- RECOMMENDED TEMPORARY SEEDING DATES AND APPLICATION RATES ARE AS FOLLOWS:
- AROOSTOOK RYE: RECOMMENDED SEEDING DATES: 8/15 - 10/1
APPLICATION RATE: 112 LBS./ACRE
- ANNUAL RYE GRASS: RECOMMENDED SEEDING DATES: 4/1 - 7/1
APPLICATION RATE: 40 LBS./ACRE
- PERENNIAL RYE GRASS: RECOMMENDED SEEDING DATES: 8/15 - 9/15
APPLICATION RATE: 40 LBS./ACRE
- IF THE AREA WILL REMAIN UNWORKED FOR MORE THAN ONE YEAR OR HAS BEEN BROUGHT TO FINAL GRADE, AND WILL NOT BE BUILT ON, THEN IMMEDIATELY PROVIDE PERMANENT STABILIZATION USING VEGETATION THROUGH PLANTING, SEEDING, SOD, OR THROUGH THE USE OF PERMANENT MULCH OR RIPRAP. IF USING VEGETATION FOR STABILIZATION, SELECT THE PROPER VEGETATION

FOR THE LIGHT, MOISTURE, AND SOIL CONDITIONS. AMEND AREAS OF DISTURBED SUBSOIL WITH TOP SOIL OR OTHER ORGANIC AMENDMENTS. PROTECT SEEDED AREAS WITH MULCH OR, IF NECESSARY EROSION CONTROL BLANKETS, AND SCHEDULE SODDING, PLANTING, AND SEEDING SO TO AVOID DIE-OFF FROM SUMMER DROUGHT AND FALL FROSTS. NEWLY SEEDED OR SODDED AREAS MUST BE PROTECTED FROM VEHICLE TRAFFIC, EXCESSIVE PEDESTRIAN TRAFFIC, AND CONCENTRATED RUNOFF UNTIL THE VEGETATION IS WELL ESTABLISHED. AREAS MUST BE REMOVED AND RESTABILIZED IF GERMINATION IS SPARSE, PLANT COVERAGE IS SPOTTY, OR TOPSOIL EROSION IS EVIDENT.

- PERMANENT SEEDING PER TURF AND GRASSES SPECIFICATION AND LANDSCAPE PLAN.
- MULCH ALL AREAS SEEDED SO THAT SOIL IS NOT VISIBLE THROUGH THE MULCH REGARDLESS OF THE APPLICATION RATE.
- DITCH LININGS, STONE CHECK DAMS, AND RIPRAP INLET AND OUTLET PROTECTION SHALL BE INSTALLED WITHIN 48 HOURS OF COMPLETING THE GRADING OF THAT SECTION OF DITCH OR INSTALLATION OF CULVERT.
- EROSION CONTROL BLANKET SHALL BE INSTALLED ON ALL PERMANENT SLOPES STEEPER THAN 3:1, IN THE BASE OF DITCHES NOT OTHERWISE PROTECTED, AND ANY DISTURBED AREAS WITHIN 100 FEET OF A PROTECTED NATURAL RESOURCE (E.G. WETLANDS AND WATER BODIES). EROSION CONTROL BLANKET SHALL BE INSTALLED IN ACCORDANCE WITH MANUFACTURER'S RECOMMENDATIONS.
- TEMPORARY CONTROL MEASURES, SUCH AS SILT FENCE, SHALL BE REMOVED WITHIN 30 DAYS AFTER PERMANENT STABILIZATION IS ATTAINED.

C. WINTER CONDITIONS

- "WINTER CONSTRUCTION" IS CONSTRUCTION ACTIVITY PERFORMED DURING THE PERIOD FROM NOVEMBER 1 THROUGH APRIL 15. IF AREAS WITHIN THE CONSTRUCTION ACTIVITY ARE NOT STABILIZED WITH TEMPORARY OR PERMANENT MEASURES OUTLINED ABOVE BY NOVEMBER 15, THEN THE SITE MUST BE PROTECTED WITH ADDITIONAL STABILIZATION MEASURES THAT ARE SPECIFIC TO WINTER CONDITIONS. NO MORE THAN ONE ACRE OF THE SITE MAY BE WITHOUT STABILIZATION AT ONE TIME. SLOPE STABILIZATION AND DISTURBED AREA STABILIZATION DURING WINTER CONDITIONS SHOULD BE ADDRESSED IN ACCORDANCE WITH SECTION A-3 OF THE MAINE EROSION AND SEDIMENT CONTROL BMPs, MARCH 2003.
 - AREAS WITHIN 100 FEET OF A PROTECTED NATURAL RESOURCE MUST BE PROTECTED WITH A DOUBLE ROW OF SEDIMENT BARRIERS.
 - HAY MULCH SHALL BE APPLIED AT TWICE THE STANDARD TEMPORARY STABILIZATION RATE. AT THE END OF EACH CONSTRUCTION DAY, AREAS THAT HAVE BEEN BROUGHT TO FINAL GRADE MUST BE STABILIZED. MULCH MAY NOT BE SPREAD ON TOP OF SNOW.
 - AFTER NOVEMBER 1 OR THE FIRST KILLING FROST FOR THE REGION AND BEFORE SNOW FALL, ALL EXPOSED AND DISTURBED AREAS NOT TO UNDERGO FURTHER DISTURBANCE ARE TO HAVE DORMANT SEEDING. THE DORMANT SEEDING METHOD: PREPARE THE SEEDBED, LIME AND FERTILIZE, APPLY THE SELECTED PERMANENT SEED MIXTURE AT THREE TIMES THE REGULAR SEEDING RATE, AND MULCH AND ANCHOR. DORMANT SEEDINGS NEED TO BE ANCHORED EXTREMELY WELL ON SLOPES, DITCH BASES AND AREAS OF CONCENTRATED FLOWS. DORMANT SEEDING REQUIRES INSPECTION AND RESEEDING AS NEEDED IN THE SPRING. ALL AREAS WHERE COVER IS INADEQUATE MUST BE IMMEDIATELY RESEEDING AND MULCHED AS SOON AS POSSIBLE.
- ALL VEGETATED DITCH LINES THAT HAVE NOT BEEN STABILIZED BY SEPTEMBER 1, OR WILL BE WORKED DURING THE WINTER CONSTRUCTION PERIOD, MUST BE STABILIZED WITH AN APPROPRIATE STONE LINING BACKED BY AN APPROPRIATE GRAVEL BED OR GEOTEXTILE UNLESS SPECIFICALLY RELEASED FROM THIS STANDARD BY THE MAINE DEPARTMENT OF ENVIRONMENTAL PROTECTION.
- MULCH NETTING MUST BE USED TO ANCHOR MULCH ON ALL SLOPES GREATER THAN 8% UNLESS EROSION CONTROL BLANKETS OR EROSION CONTROL MIX IS BEING USED ON THESE SLOPES.

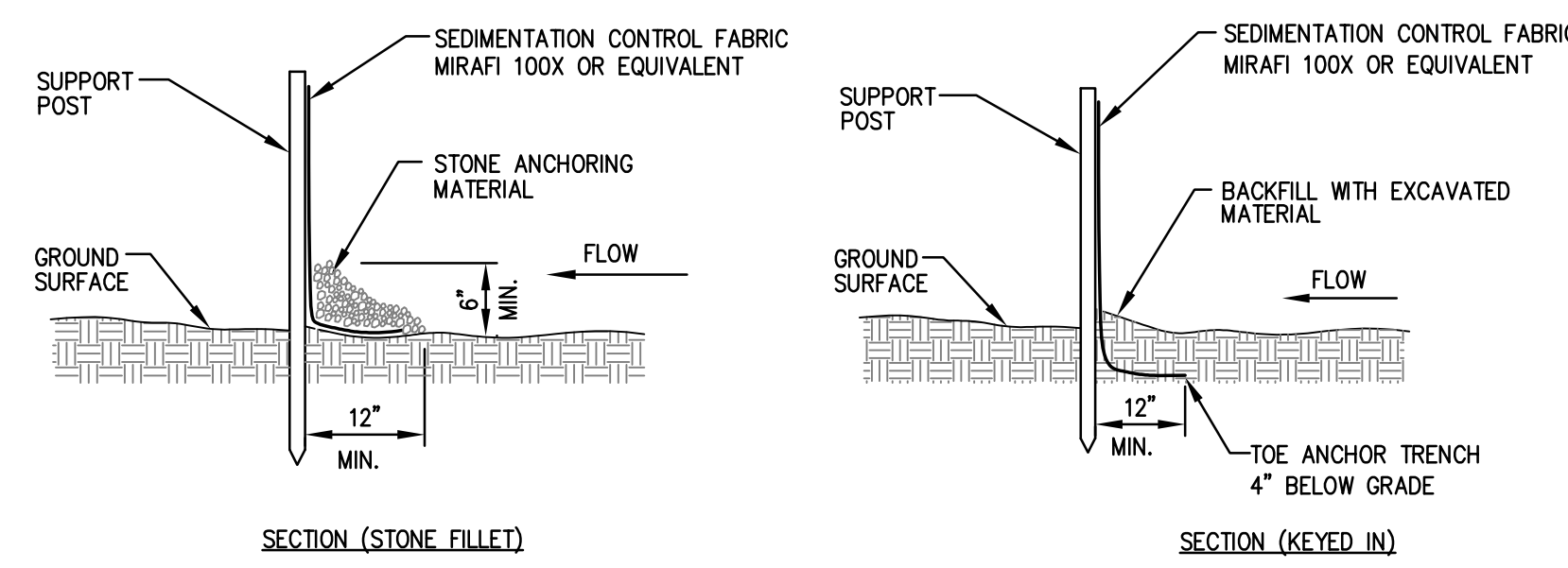
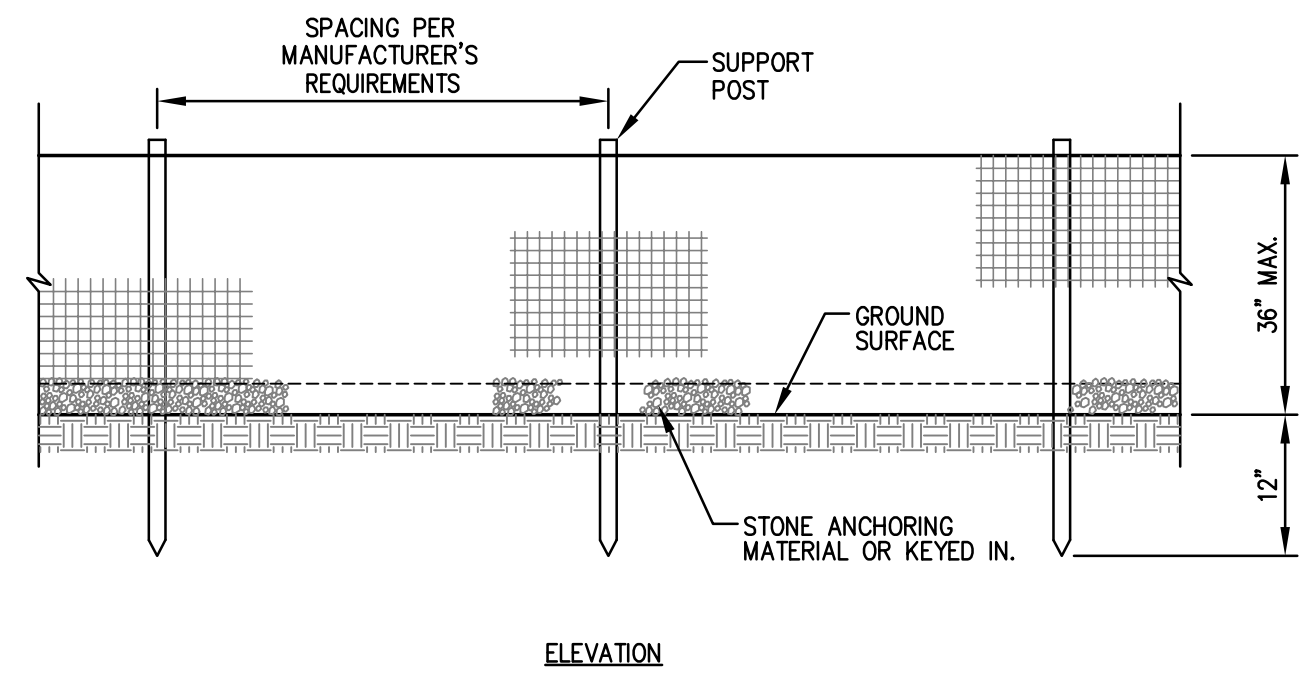
D. HOUSEKEEPING

- SPILL PREVENTION CONTROLS MUST BE USED TO PREVENT POLLUTANTS FROM BEING DISCHARGED FROM MATERIALS ON SITE, INCLUDING STORAGE PRACTICES TO MINIMIZE EXPOSURE OF THE MATERIALS TO STORMWATER, AND APPROPRIATE SPILL PREVENTION, CONTAINMENT, AND RESPONSE PLANNING AND IMPLEMENTATION.
- GROUNDWATER PROTECTION. DURING CONSTRUCTION, LIQUID PETROLEUM PRODUCTS AND OTHER HAZARDOUS MATERIALS WITH THE POTENTIAL TO CONTAMINATE GROUNDWATER MAY NOT BE STORED OR HANDLED IN AREAS OF THE SITE DRAINING TO AN INFILTRATION AREA. AN "INFILTRATION AREA" IS ANY AREA OF THE SITE THAT BY DESIGN OR AS A RESULT OF SOILS, TOPOGRAPHY AND OTHER RELEVANT FACTORS, ACCUMULATES RUNOFF THAT INFILTRATES INTO THE SOIL. DIKES, BERMS, SUMPS, AND OTHER FORMS OF SECONDARY CONTAINMENT THAT PREVENT DISCHARGE TO GROUNDWATER MAY BE USED TO ISOLATE PORTIONS OF THE SITE FOR THE PURPOSES OF STORAGE AND HANDLING OF THESE MATERIALS.
- FUGITIVE SEDIMENT AND DUST. ACTIONS MUST BE TAKEN TO ENSURE THAT ACTIVITIES DO NOT RESULT IN NOTICEABLE EROSION OF SOILS OR FUGITIVE DUST EMISSIONS DURING OR AFTER CONSTRUCTION. OIL MAY NOT BE USED FOR DUST CONTROL.

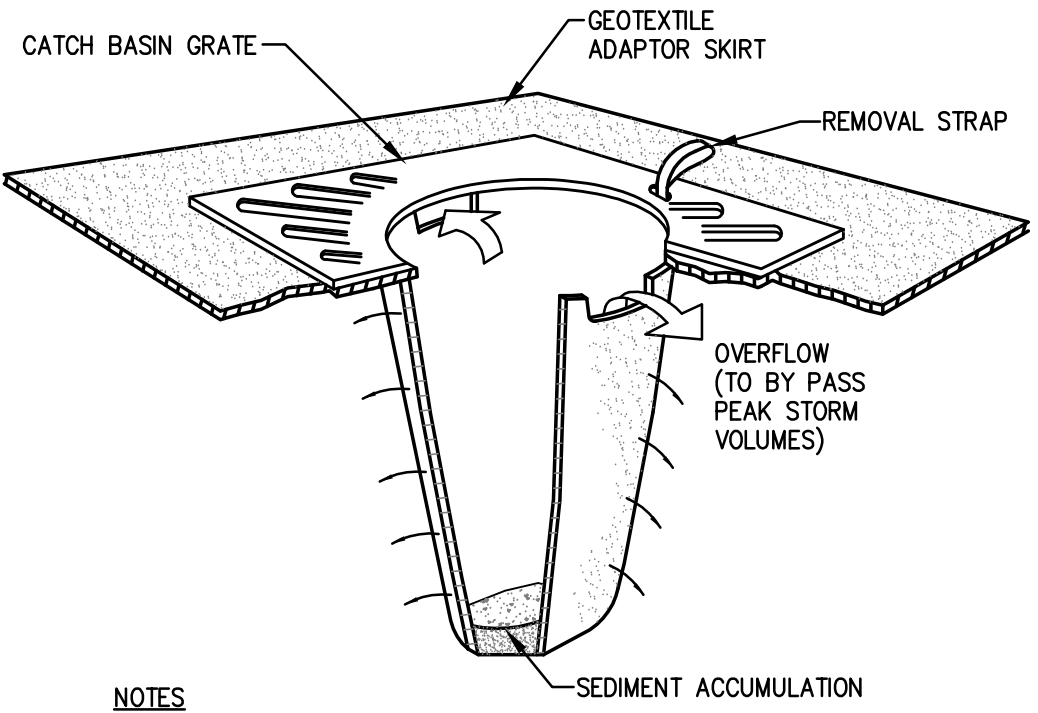
- DEBRIS AND OTHER MATERIAL LITTER, CONSTRUCTION DEBRIS, AND CONSTRUCTION CHEMICALS EXPOSED TO STORM WATER, MUST BE PREVENTED FROM BECOMING A POLLUTANT SOURCE.
- TRENCH OR FOUNDATION DE-WATERING. TRENCH DE-WATERING IS THE REMOVAL OF WATER FROM TRENCHES, FOUNDATIONS, COFFER DAMS, PONDS AND OTHER AREAS WITHIN THE CONSTRUCTION AREA THAT RETAIN WATER AFTER EXCAVATION. IN MOST CASES THE COLLECTED WATER IS HEAVILY SiltED AND HINDERS CORRECT AND SAFE CONSTRUCTION PRACTICES. THE CONTRACTOR SHALL BE RESPONSIBLE FOR REMOVING THE PONDED WATER EITHER THROUGH GRAVITY OR PUMPING, MUST BE SPREAD THROUGH NATURAL WOODED BUFFERS OR REMOTE AREAS THAT ARE SPECIFICALLY DESIGNATED TO COLLECT THE MAXIMUM AMOUNT OF SEDIMENT POSSIBLE, LIKE A COFFER DAM SEDIMENTATION BASIN. AVOID ALLOWING THE WATER TO FLOW OVER DISTURBED AREAS OF THE SITE.

E. INSPECTION AND MAINTENANCE

- INSPECT DISTURBED AND IMPERVIOUS AREAS, EROSION AND STORMWATER CONTROL MEASURES, AREAS USED FOR STORAGE THAT ARE EXPOSED TO PRECIPITATION, AND LOCATIONS WHERE VEHICLES ENTER OR EXIT THE SITE AT LEAST ONCE A WEEK AS WELL AS BEFORE AND AFTER STORM EVENTS, PRIOR TO COMPLETION OF PERMANENT STABILIZATION. A PERSON WITH KNOWLEDGE OF EROSION AND STORMWATER CONTROLS, INCLUDING THE STANDARDS IN THE MAINE CONSTRUCTION GENERAL PERMIT AND ANY DEP OR MUNICIPAL COMPANION DOCUMENTS, MUST CONDUCT THE INSPECTION. THIS PERSON MUST BE IDENTIFIED IN THE INSPECTION LOG. IF BEST MANAGEMENT PRACTICES BMPs NEED TO BE MODIFIED OR IF ADDITIONAL BMPs ARE NECESSARY, IMPLEMENTATION MUST BE COMPLETED WITHIN 7 CALENDAR DAYS AND PRIOR TO ANY STORM EVENT (RAINFALL). ALL MEASURES MUST BE MAINTAINED IN EFFECTIVE OPERATING CONDITION UNTIL AREAS ARE PERMANENTLY STABILIZED.
- AN INSPECTION AND MAINTENANCE LOG MUST BE KEPT SUMMARIZING THE SCOPE OF THE INSPECTION, NAME AND QUALIFICATIONS OF THE PERSON PERFORMING THE INSPECTION, DATE, AND MAJOR OBSERVATIONS RELATING TO OPERATION OF EROSION AND SEDIMENTATION CONTROLS AND POLLUTION PREVENTION MEASURES. MAJOR OBSERVATIONS MUST INCLUDE: BMPs THAT NEED TO BE MAINTAINED, LOCATION(S) OF BMPs THAT FAILED TO OPERATE AS DESIGNED OR PROVED INADEQUATE FOR A PARTICULAR LOCATION, AND LOCATION(S) WHERE ADDITIONAL BMPs ARE NEEDED THAT DID NOT EXIST AT THE TIME OF THE INSPECTION. FOLLOW-UP TO CORRECT DEFICIENCIES OR ENHANCE CONTROLS MUST ALSO BE INDICATED IN THE LOG AND DATED; INCLUDING WHAT ACTION WAS TAKEN AND WHEN.
- IT IS RECOMMENDED THAT THE OWNER RETAIN THE SERVICES OF THE DESIGN ENGINEER FOR SITE INSPECTIONS IN COMPLIANCE WITH MAINE DEP STORMWATER RULES, CHAPTER 500.



2 SILTATION FENCE
SCALE: N.T.S.



NOTES

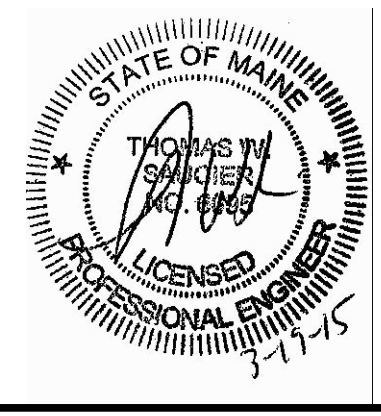
- CATCH BASIN PROTECTION TO BE "SILTSTACK" (BY ACF ENVIRONMENTAL) OR "STREAM GUARD" (BY FOSS ENVIRONMENTAL SERVICES).
INSERT TO BE EMPTIED IN AN APPROVED MANNER WHEN IT IS 1/2 FULL OF SEDIMENT.
- INSPECT INSERT AFTER ALL RAINFALL EVENTS, REPAIR AND MAINTAIN AS REQUIRED.

1 TEMPORARY INLET PROTECTION
SCALE: N.T.S.

Drawing Name: P:\2014 Projects\14-216-05 Alumni Design\Drawings\02165 (Rev) Date: / / 11:12 AM

THIS PLAN SHALL NOT BE MODIFIED WITHOUT WRITTEN PERMISSION FROM SITE DESIGN ASSOCIATES, ANY ALTERATIONS, OTHERWISE, SHALL BE AT THE USER'S SOLE RISK AND WITHOUT LIABILITY TO SITE DESIGN ASSOCIATES.

REV.	DATE	STATUS	BY	CHKD.	APPD.	REV.	DATE	STATUS	BY	CHKD.	APPD.
B	03/20/15	STRUCTURAL EARLY RELEASE BID DRAWINGS		TWS	TWS						
A	2/27/15	ISSUED FOR DESIGN DEVELOPMENT		TWS	TWS						



Site Design Associates
Consulting Engineering & Land Planning

23 Whitney Way Topsham, Maine 04086 Tel: (207) 449-4275

CLIENT: **PORT CITY ARCHITECTURE**
65 NEWBURY STREET, PORTLAND, MAINE 04101

DESIGN: TWS	PROJECT: ALUMNI HALL RENOVATION UNIVERSITY OF NEW ENGLAND, PORTLAND, MAINE
DRAWN: DEPT.	EROSION AND SEDIMENTATION NOTES AND DETAILS
CHKD: TWS	
DATE: JAN 2015	PROJ. NO.:
SCALE: AS NOTED	DWG. NO.:
	REV. B