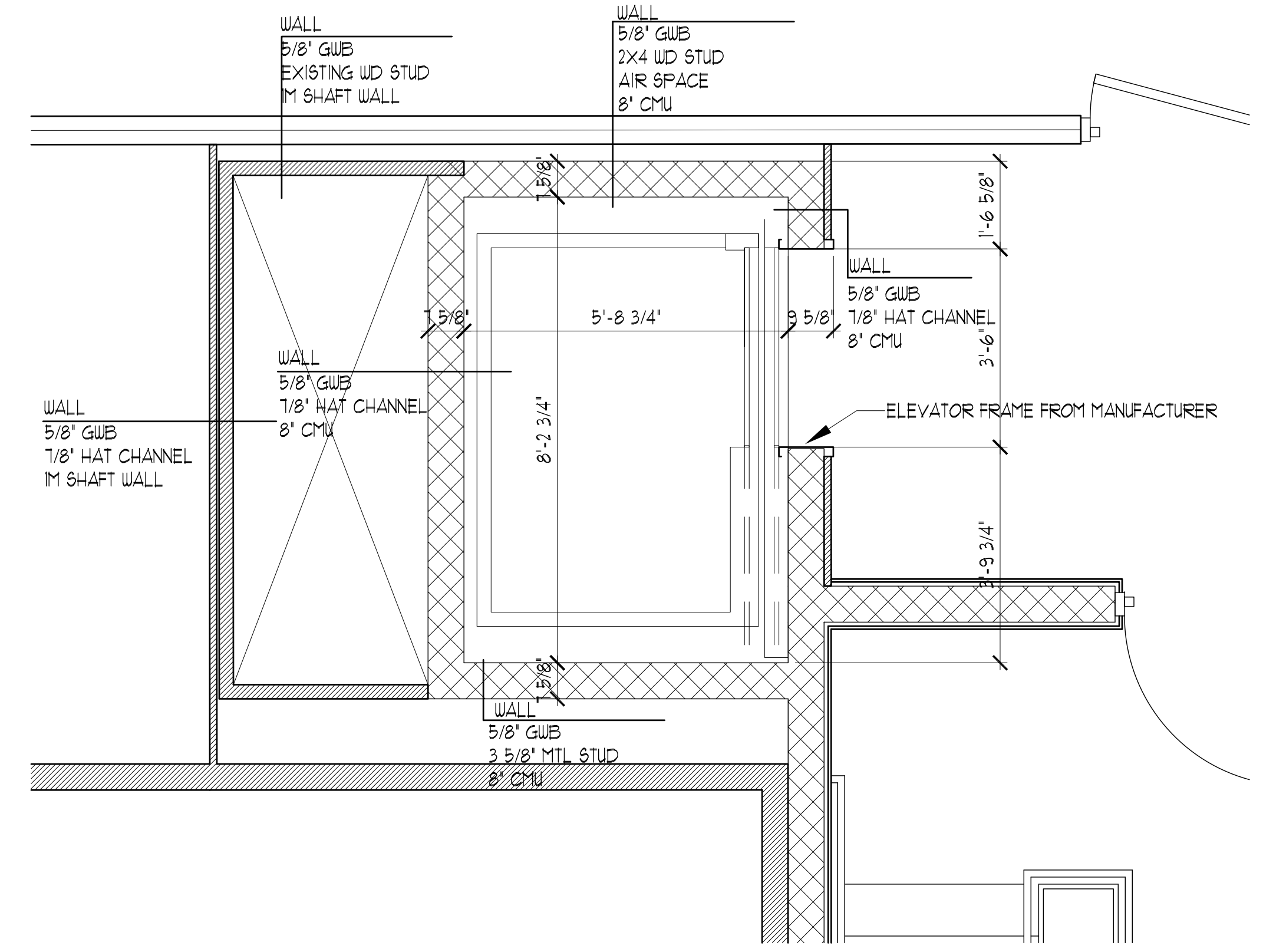
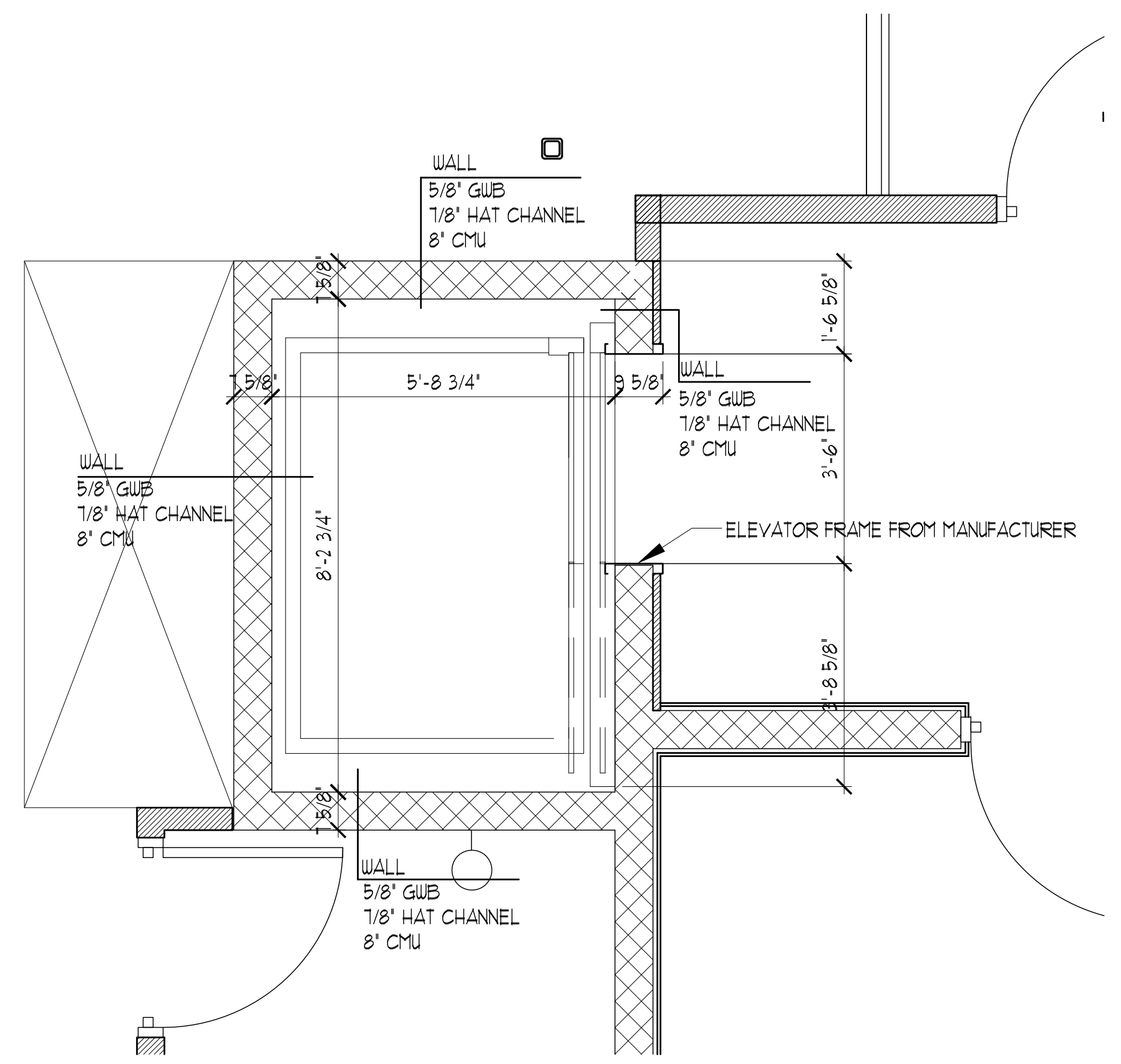


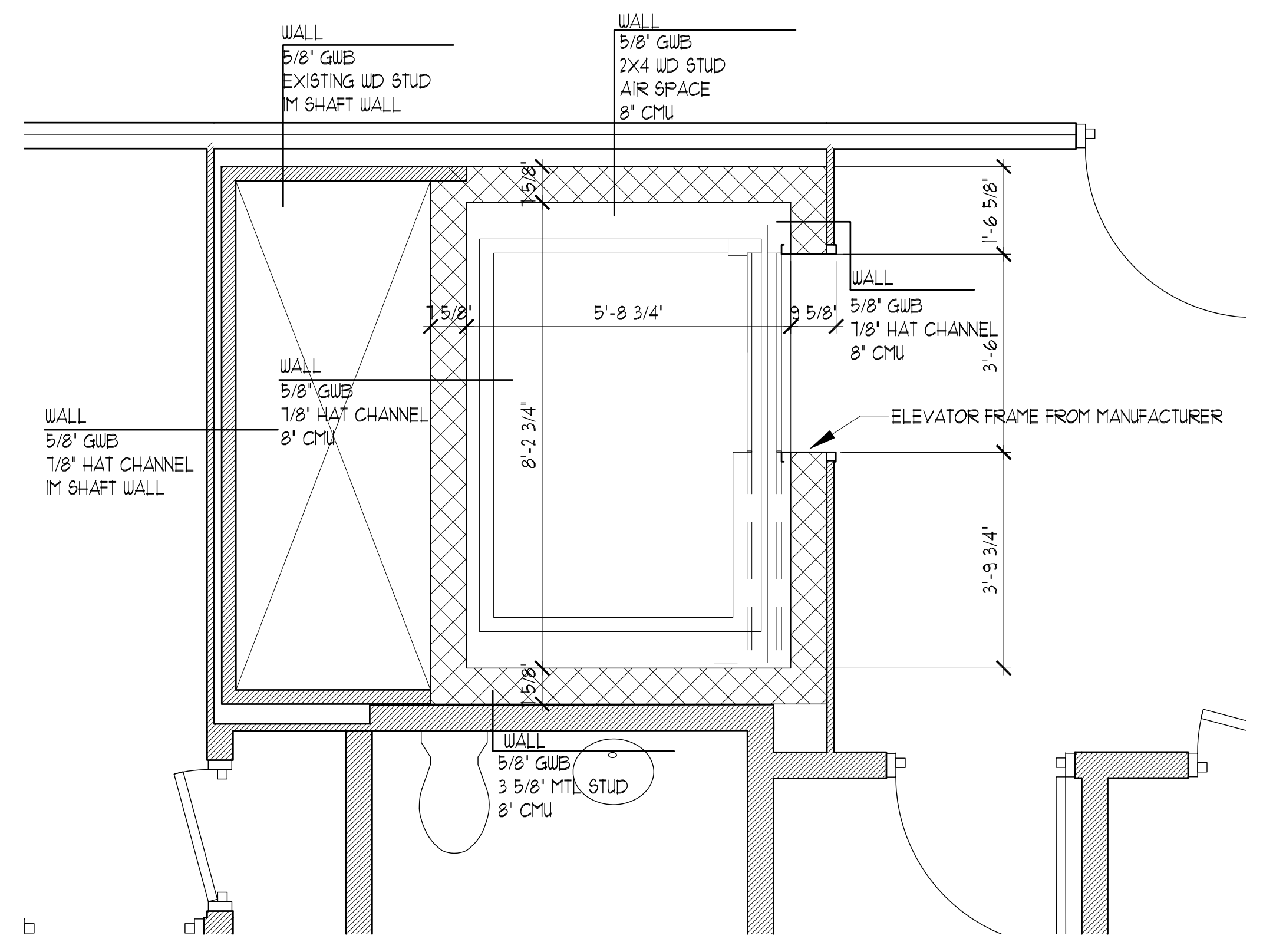
4 ELEVATOR PIT PLAN
SCALE: 1/2" = 1'-0"



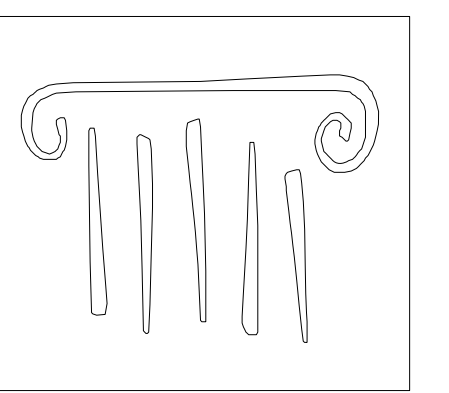
2 FIRST FLOOR ELEVATOR PLAN
SCALE: 1/2" = 1'-0"



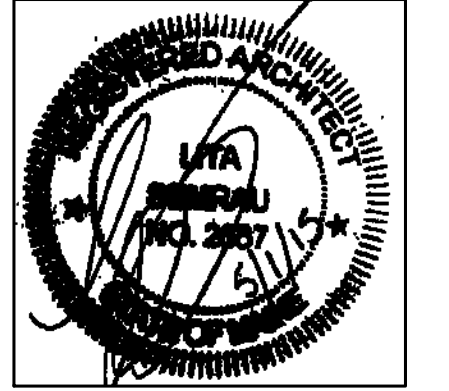
3 LOWER LEVEL ELEVATOR PLAN
SCALE: 1/2" = 1'-0"



1 SECOND FLOOR ELEVATOR PLAN
SCALE: 1/2" = 1'-0"



65 NEWBURY STREET
PORTLAND, ME 04101
207.761.9000
info@portcityarch.com
WWW.PORTCITYARCH.COM



UNE
UNIVERSITY OF
NEW ENGLAND

Allied Engineering
Structural Mechanical Electrical Commissioning

CONSIGLI
Est. 1905

BECKER
STRUCTURAL ENGINEERS

PERMIT SET

REVISIONS		
No.	Description	Date

UNIVERSITY OF
NEW ENGLAND
PORTLAND, MAINE

ALUMNI HALL
RENOVATION
ELEVATOR
PLANS

Project Number 14525
Date May 01, 2015
Drawn by JP TS SM AR
Checked by LAS

A4.7

Scale AS NOTED