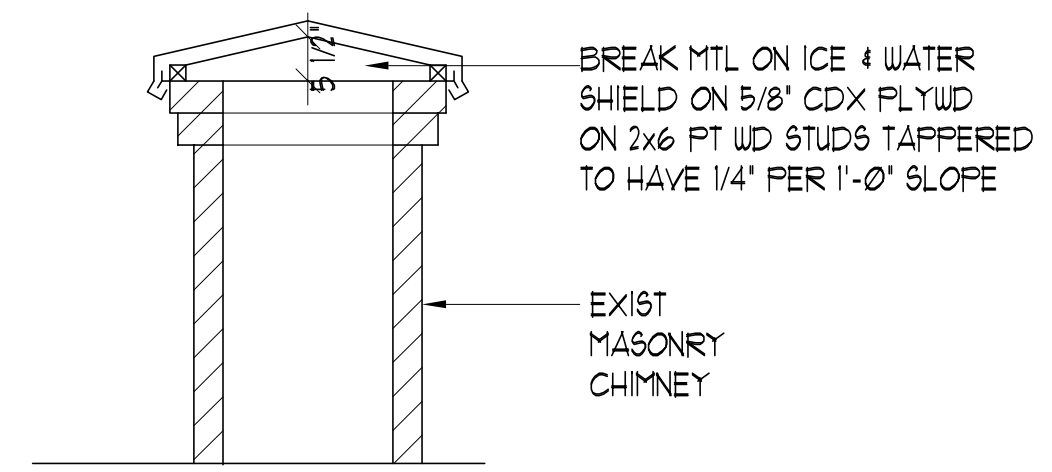


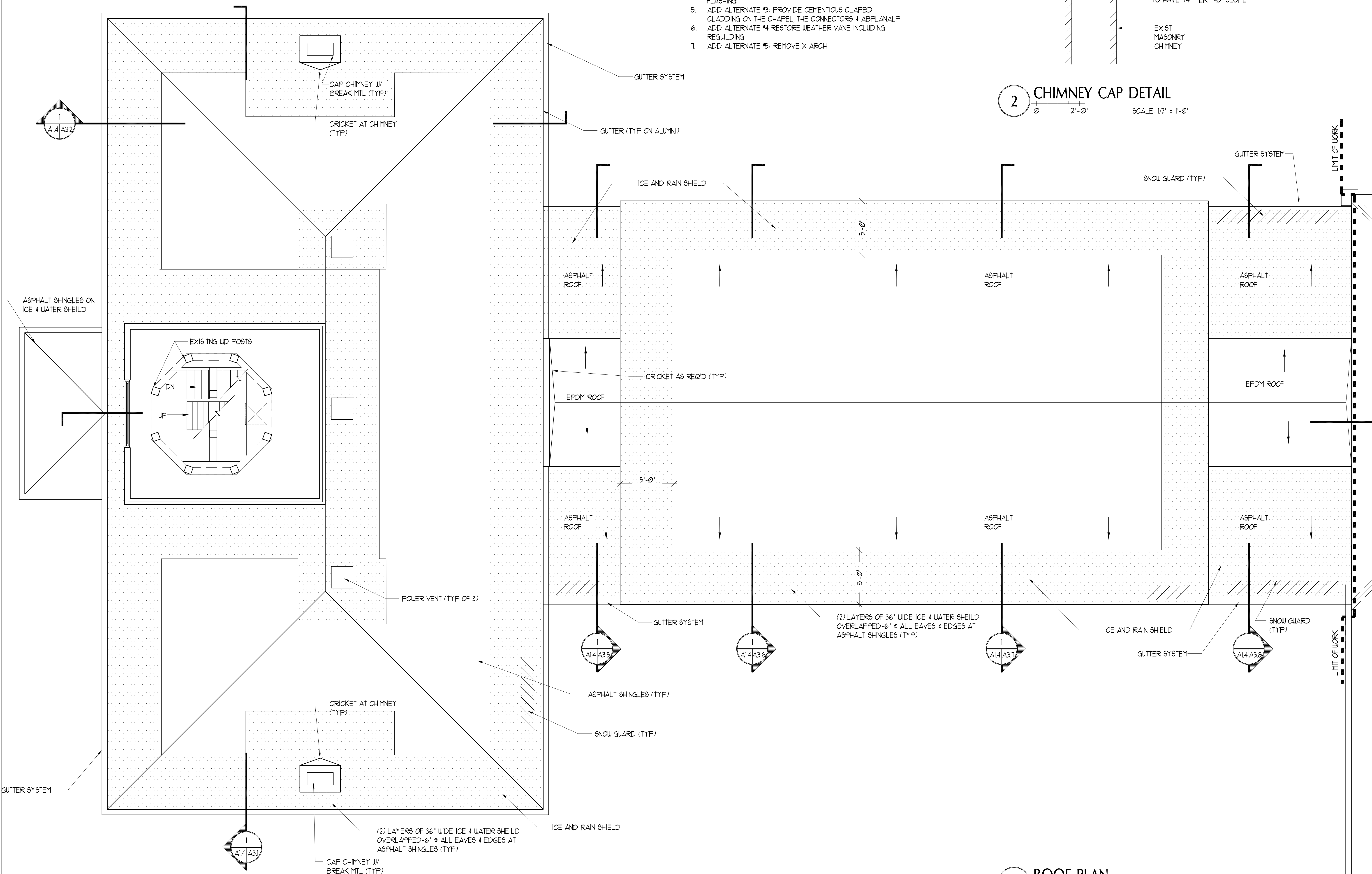
EXTERIOR NOTES:

1. EXTERIOR OF ALUMNI TO BE REPAIRED & REPOINTED
- SEE RESTORATION ELEVATIONS FOR ADDITIONAL INFORMATION
2. EXIST BRICK, WD TRIM AND FLUSH BD ON ALUMNI PROPER TO BE FTD - GRANITE BASE NOT TO BE FTD
3. ADD ALTERNATE #1: PROVIDE SHUTTERS
4. ADD ALTERNATE #2: PROVIDE SLATE ROOF W/ COPPER FLASHING
5. ADD ALTERNATE #3: PROVIDE CEMENTIOUS CLAPBD CLADDING ON THE CHAPEL, THE CONNECTORS & ABPLANALP
6. ADD ALTERNATE #4 RESTORE WEATHER VANE INCLUDING REGUILDING
7. ADD ALTERNATE #5: REMOVE X ARCH



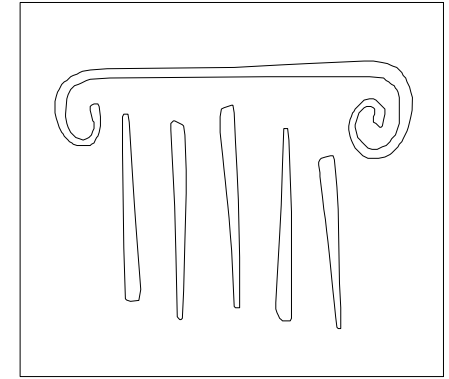
2 CHIMNEY CAP DETAIL

SCALE: 1/2" = 1'-0"

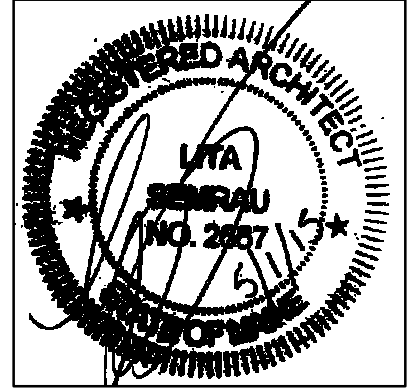


1 ROOF PLAN

SCALE: 1/4" = 1'-0"



65 NEWBURY STREET
PORTLAND, ME 04101
207.761.9000
info@portcityarch.com
WWW.PORTCITYARCH.COM



UNE
UNIVERSITY OF
NEW ENGLAND

Allied Engineering
Structural Mechanical Electrical Commissioning

CONSIGLI
Est. 1905

BECKER
STRUCTURAL ENGINEERS

PERMIT SET

REVISIONS		
No.	Description	Date

**UNIVERSITY OF
NEW ENGLAND**
PORTLAND, MAINE

**ALUMNI HALL
RENOVATION**

ROOF PLAN

Project Number **14525**
Date **May 01, 2015**
Drawn by **JP TS SM AR**
Checked by **LAS**

A1.5

Scale AS NOTED