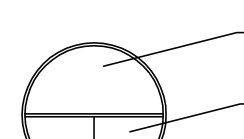

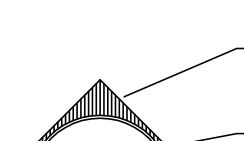
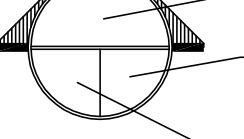

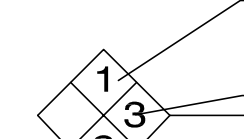
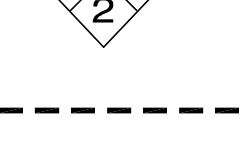
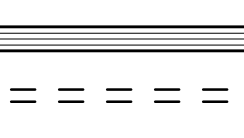

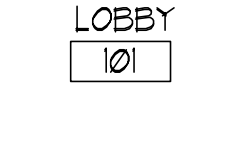
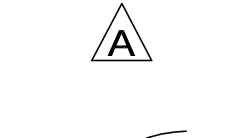
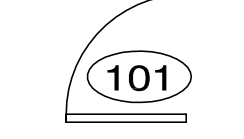
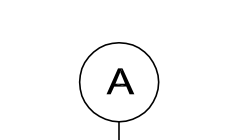
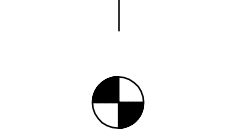
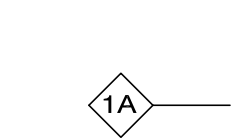




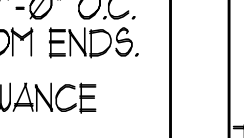
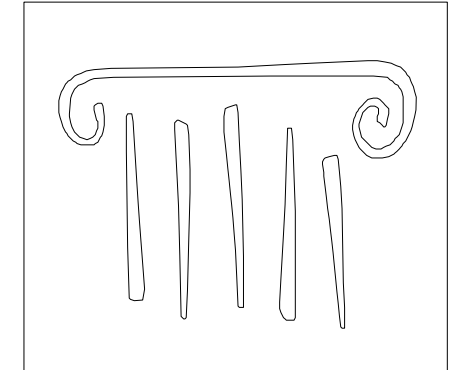


TYPICAL ABBREVIATIONS

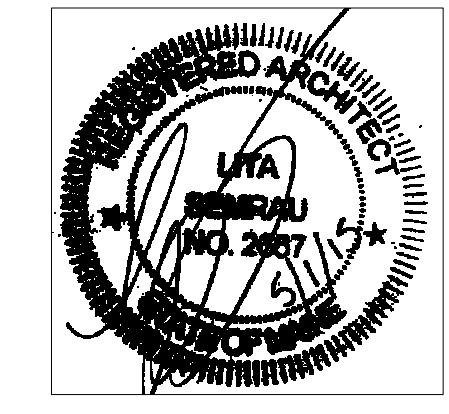
4	AND	DWG	DRAWING	IBC	INSTALLED BY CONTRACTOR	S	SOUTH
ANG	ANGLE	E	EAST	IN	INCHES	SAT	SUSPENDED ACOUSTICAL TILE
@	AT	EA	EACH	INSUL	INSULATION	SCHED	SCHEDULE
ADA	AMERICAN DISABILITIES ACT	EJ	EXPANSION JOINT	INT	INTERIOR	SD	STORM DRAIN
ADJ	ADJUST OR ADJACENT	ELEC	ELECTRIC	JT	JOINT	SECT	SECTION
AFF	ABOVE FINISH FLOOR	ELEV	ELEVATION	LAM	LAMINATED	SF	SQUARE FEET
ALUM	ALUMINUM	EMP	EMPLOYEE	LB	POUNDS	SIM	SIMILAR
ARCH	ARCHITECT OR ARCHITECTURAL	ENCL	ENCLOSE	LF	LINEAR FEET	SP	SHELL PACKAGE
AVG	AVERAGE	ENT	ENTRY or ENTRANCE	LL	LIVE LOAD	SPEC	SPECIFICATIONS
BD	BOARD	EQ	EQUAL	LWC	LIGHT WEIGHT CONCRETE	SS	STAINLESS STEEL
BLDG	BUILDING	EQUIP	EQUIPMENT	MAX	MAXIMUM	SQ	SQUARE
BLKG	BLOCKING	EWC	ELECTRIC WATER COOLER	MECH	MECHANICAL	STD	STANDARD
BM	BEAM	EXH	EXHAUST	MFG	MANUFACTURE	STL	STEEL
BO	BOTTOM OF	EXIST	EXISTING	MH	MAN HOLE	STRUC	STRUCTURAL
C	CENTER LINE	EXP	EXPANSION	MIL	MILLIMETER	SUSP	SUSPENDED
CAB	CABINET	EXT	EXTERIOR	MIN	MINIMUM	SYMM	SYMMETRICAL
CLG	CEILING	FBO	FURNISHED BY OWNER	MSB	MAIN SWITCH BOARD	T	THERMOSTAT
CLR	CLEAR	FDN	FOUNDATION	MTD	MOUNTED	T & B	TOP AND BOTTOM
CMU	CONCRETE MASONRY UNIT	FF	FINISH FLOOR	MTL	METAL	TEL	TELEPHONE
CNTR	COUNTER	FFE	FINISH FLOOR ELEVATION	MW	MICROWAVE	TGL	TEMPERED GLASS
COL	COLUMN	FIN	FINISH	N	NORTH	THICK	THICKNESS
CONC	CONCRETE	FIXT	FIXTURE	N/A	NOT APPLICABLE	TI	TENANT IMPROVEMENTS
CONT	CONTINUOUS	FLG	FLOORING	NAT	NATURAL	T.O.	TOP OF
COORD	COORDINATE	FLR	FLOOR	NIC	NOT IN CONTRACT	TOJ	TOP OF JOIST
COR	CORNER	FLUOR	FLUORESCENT	#	NUMBER	TOS	TOP OF STEEL
CPT	CARPET	FT	FOOT or FEET	NTS	NOT TO SCALE	TYP	TYPICAL
CU	COLD WATER	GA	GAUGE	OC	ON CENTER	UL	UNDERWRITERS LABORATORIES, INC
DBL	DOUBLE	GALV	GALVANIZED	OH	OVER HEAD	UNO	UNLESS NOTED OTHERWISE
DEG	DEGREE	GC	GENERAL CONTRACTOR	PAR	PARALLEL	VB	VINYL BASE
DHW	DOMESTIC HOT WATER	GL	GLASS	P/C	PRECAST CONCRETE	VCT	VERTICAL
DIA	DIAMETER	GWB	GYPSPUM WALL BOARD	PERF	PREFORATED	VERT	VINYL COMPOSITE TILE
DIM	DIMENSION	HGT	HEIGHT	PERP	PERPENDICULAR	VIF	VERIFY IN FIELD
DN	DOWN	HM	HOLLOW METAL	PL	PLATE	W	WIDE or WEST
DR	DOOR	HORIZ	HORIZONTAL	P-LAM	PLASTIC LAMINATE	WD	WOOD
DS	DOWN SPOUT	HR	HOUR	PLAS	PLASTER	WC	WATER COOLER
DW	DISH WASHER	HVAC	HEATING, VENTILATION & AIR CONDITION	PLBG	PLUMBING	W/	WITH
						W/O	WITHOUT
						X	EXISTING

LEGEND

-  DETAIL NUMBER
-  SHEET WHERE DETAIL IS DRAWN
-  SHEET WHERE DETAIL IS TAKEN
-  INDICATES BUILDING SECTION OR BUILDING ELEVATION
-  BUILDING SECTION LETTER
-  SHEET WHERE BUILDING SECTION IS DRAWN
-  SHEET WHERE BUILDING SECTION IS TAKEN
-  INTERIOR ELEVATION NUMBER
-  SHEET WHERE ELEVATION IS DRAWN
-  DEMO WALL FINISH
-  EXISTING EXTERIOR WALL
-  EXISTING WALL TO BE REMOVED
-  EXISTING INTERIOR WALL
-  LOBBY
101 ROOM NAME AND NUMBER
-  KEY NOTE
-  101 DOOR NUMBER
-  A COLUMN GRID LINE
-  ELEVATION TARGET
-  1A WALL TYPE
-  A WINDOW TYPE



65 NEWBURY STREET
 PORTLAND, ME 04101
 207.761.9000
 info@portcityarch.com
 WWW.PORTCITYARCH.COM



UNE
 UNIVERSITY OF
 NEW ENGLAND

Structural Mechanical Electrical Commissioning

Allied Engineering

CONSIGLI
 Est. 1995

BECKER
 STRUCTURAL ENGINEERS

PERMIT SET

REVISIONS		
No.	Description	Date

UNIVERSITY OF
 NEW ENGLAND
 PORTLAND, MAINE

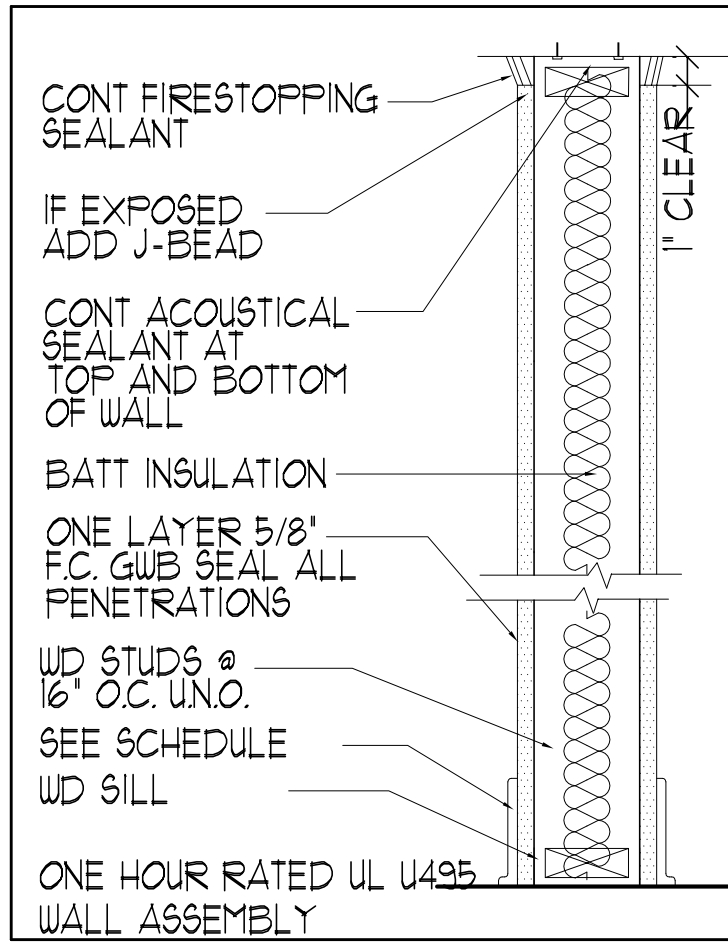
**ALUMNI HALL
 RENOVATION**

**WALL
 TYPES**

Project Number 14525
 Date May 03, 2015
 Drawn by JP TS SM AR
 Checked by LAS

T1.2

Scale AS NOTED



CONT FIRESTOPPING SEALANT

IF EXPOSED ADD J-BEAD

CONT ACOUSTICAL SEALANT AT TOP AND BOTTOM OF WALL

BATT INSULATION

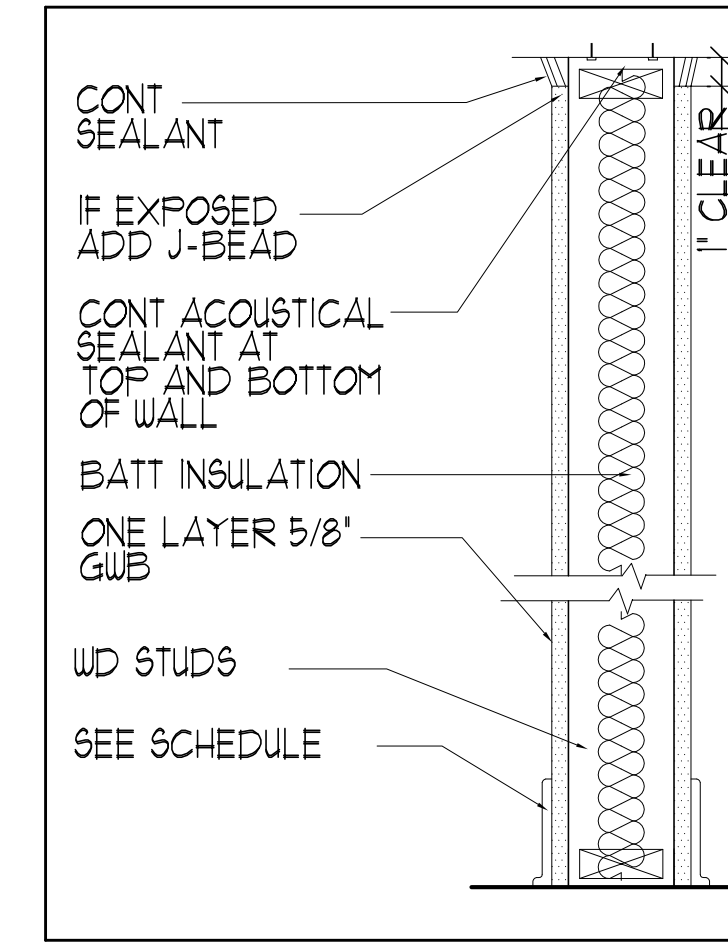
ONE LAYER 5/8\" F.C. GWB SEAL ALL PENETRATIONS

WD STUDS @ 16\" O.C. UNO. SEE SCHEDULE

WD SILL

ONE HOUR RATED UL U495 WALL ASSEMBLY

2X4 WD STUD-FULL HGT ONE HOUR RATED (1A)



CONT SEALANT

IF EXPOSED ADD J-BEAD

CONT ACOUSTICAL SEALANT AT TOP AND BOTTOM OF WALL

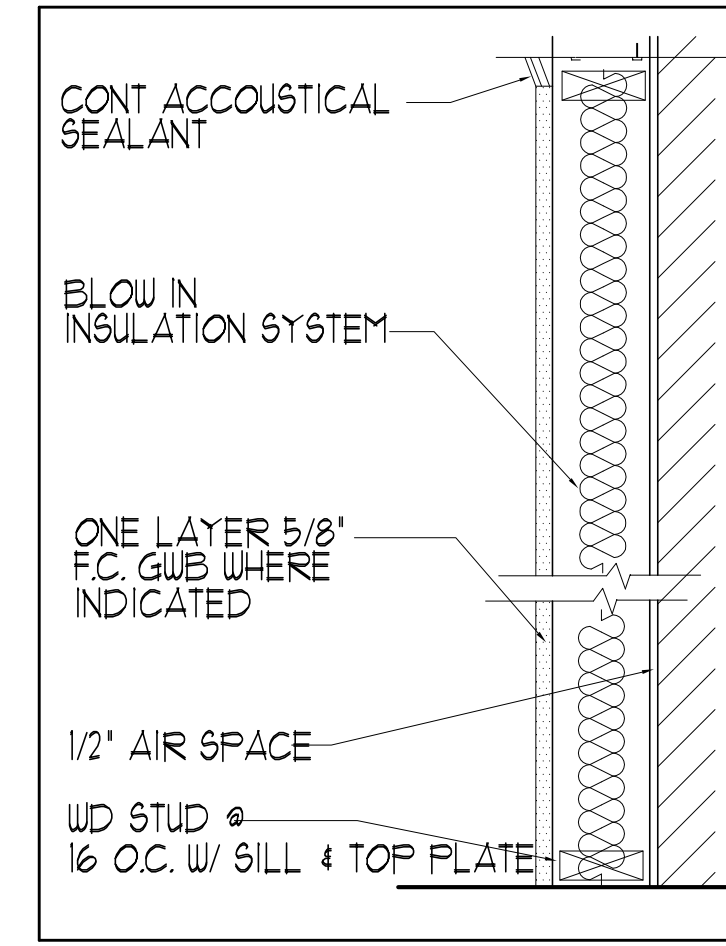
BATT INSULATION

ONE LAYER 5/8\" F.C. GWB

WD STUDS

SEE SCHEDULE

EXIST WD STUD-FULL HGT NO RATING (BA)



CONT ACOUSTICAL SEALANT

BLOW IN INSULATION SYSTEM

ONE LAYER 5/8\" F.C. GWB WHERE INDICATED

1/2\" AIR SPACE

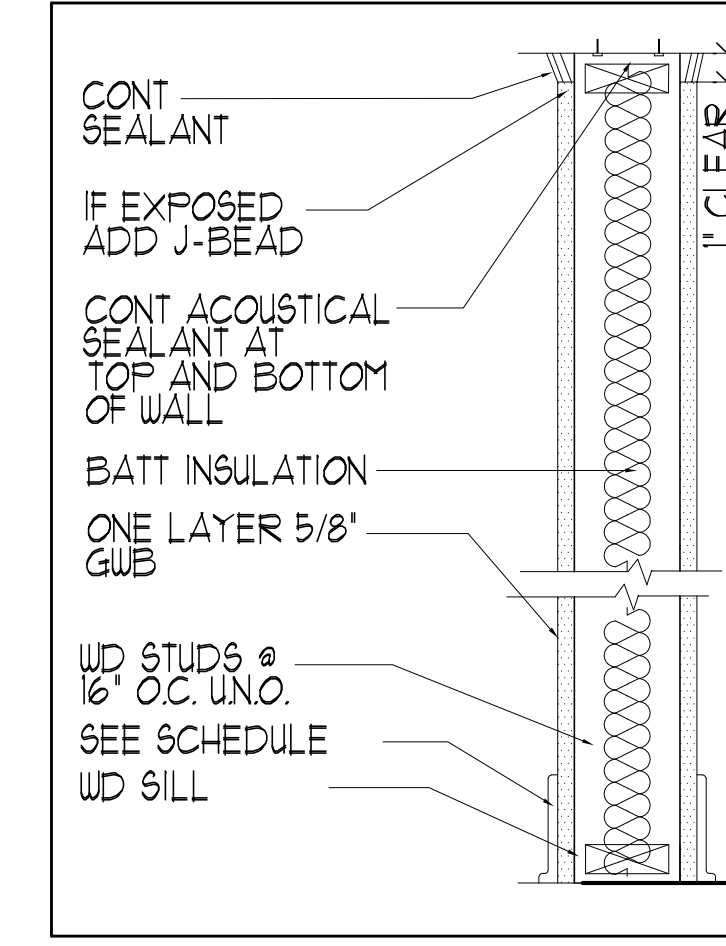
WD STUD @ 16\" O.C. W/ SILL & TOP PLATE

FURRED WALL W/ 2X4 WD STUD W/ 5/8\" GWB & 3\" SPRAY INSULATION (NA)

FURRED WALL W/ 1/8\" MTL HAT CHANNEL W/O INSULATION (NB)

FURRED WALL W/ 2X8 WD STUD W/ 5/8\" GWB & 3\" SPRAY INSULATION (NC)

FURRED WALL W/ 3 5/8\" MTL STUD -SEE PLAN FOR THICKNESSES (ND)



CONT SEALANT

IF EXPOSED ADD J-BEAD

CONT ACOUSTICAL SEALANT AT TOP AND BOTTOM OF WALL

BATT INSULATION

ONE LAYER 5/8\" F.C. GWB

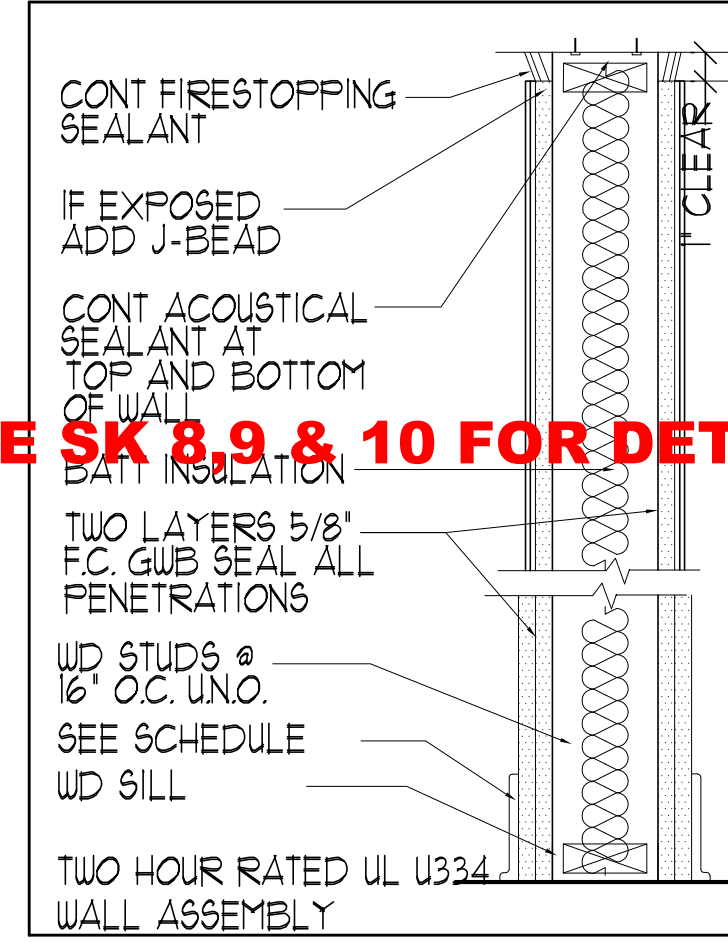
WD STUDS @ 16\" O.C. UNO. SEE SCHEDULE

WD SILL

2X4 WD STUD-FULL HGT NO RATING (AA)

2X6 WD STUD-FULL HGT NO RATING (AB)

2X8 WD STUD-FULL HGT NO RATING (AC)



CONT FIRESTOPPING SEALANT

IF EXPOSED ADD J-BEAD

CONT ACOUSTICAL SEALANT AT TOP AND BOTTOM OF WALL

BATT INSULATION

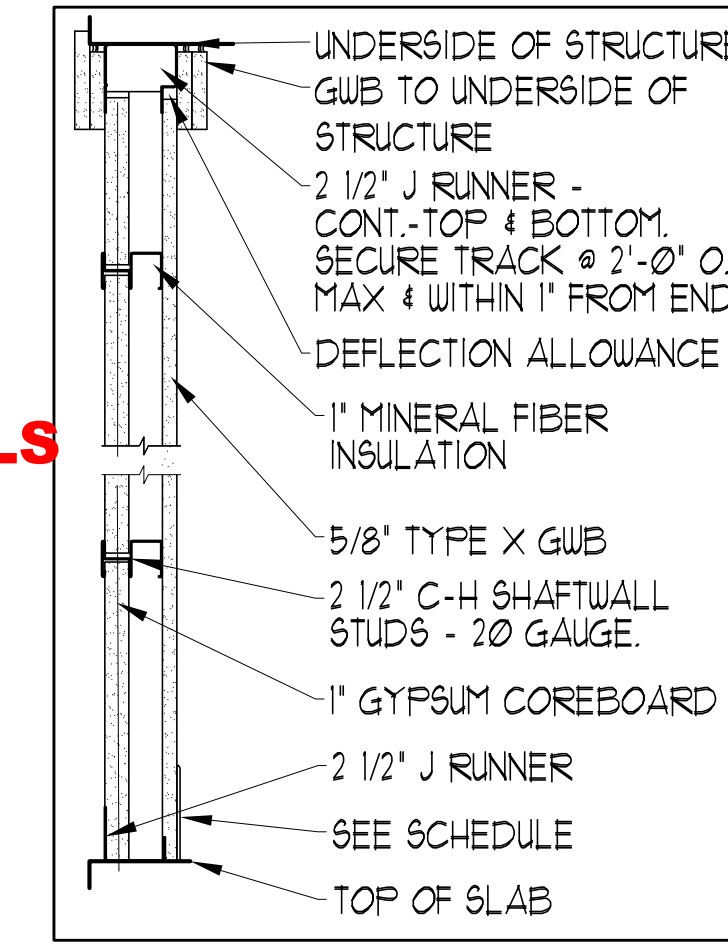
ONE LAYER 5/8\" F.C. GWB SEAL ALL PENETRATIONS

WD STUDS @ 16\" O.C. UNO. SEE SCHEDULE

WD SILL

TWO HOUR RATED UL U334 WALL ASSEMBLY

2X4 WD STUD-FULL HGT TWO HOUR RATED (2A)



UNDERSIDE OF STRUCTURE

GWB TO UNDERSIDE OF STRUCTURE

2 1/2\" J RUNNER - CONT-TOP & BOTTOM. SECURE TRACK @ 2'-0\" O.C. MAX & WITHIN 1' FROM ENDS.

DEFLECTION ALLOWANCE

1\" MINERAL FIBER INSULATION

5/8\" TYPE X GWB

2 1/2\" C-H SHAFTWALL STUDS - 20 GAUGE.

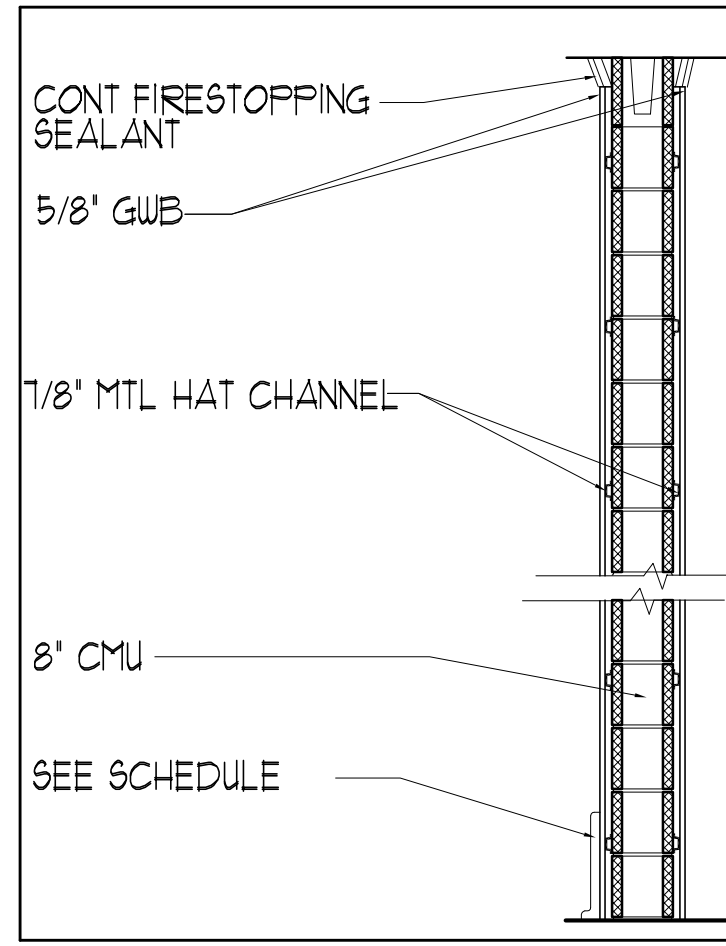
1\" GYPSPUM COREBOARD

2 1/2\" J RUNNER

SEE SCHEDULE

TOP OF SLAB

2 1/2\" SHAFT WALL 1 HOUR RATED UL# U469 (15)



CONT FIRESTOPPING SEALANT

5/8\" GWB

1/8\" MTL HAT CHANNEL

8\" CMU

SEE SCHEDULE

CMU BLOCK WALL TWO HOUR RATED (2B)

SEE SK 8, 9 & 10 FOR DETAILS