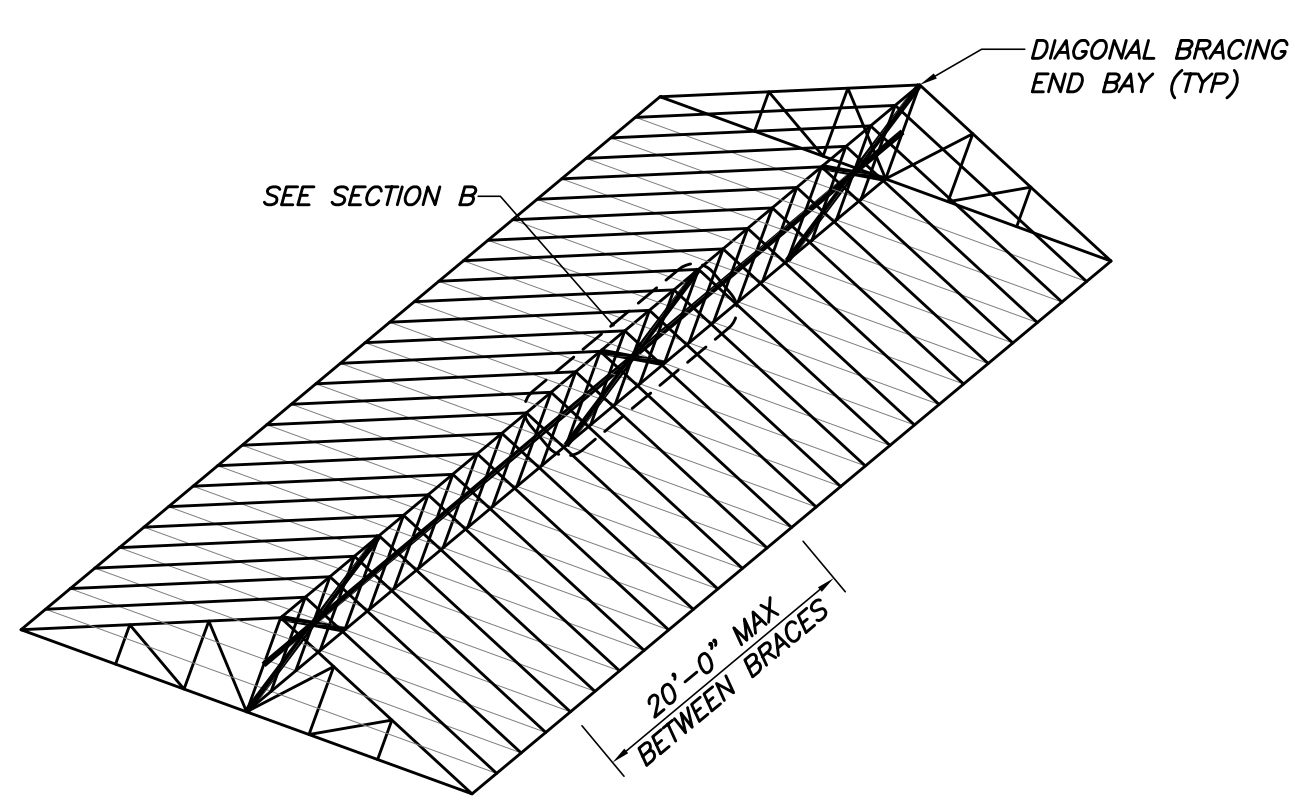
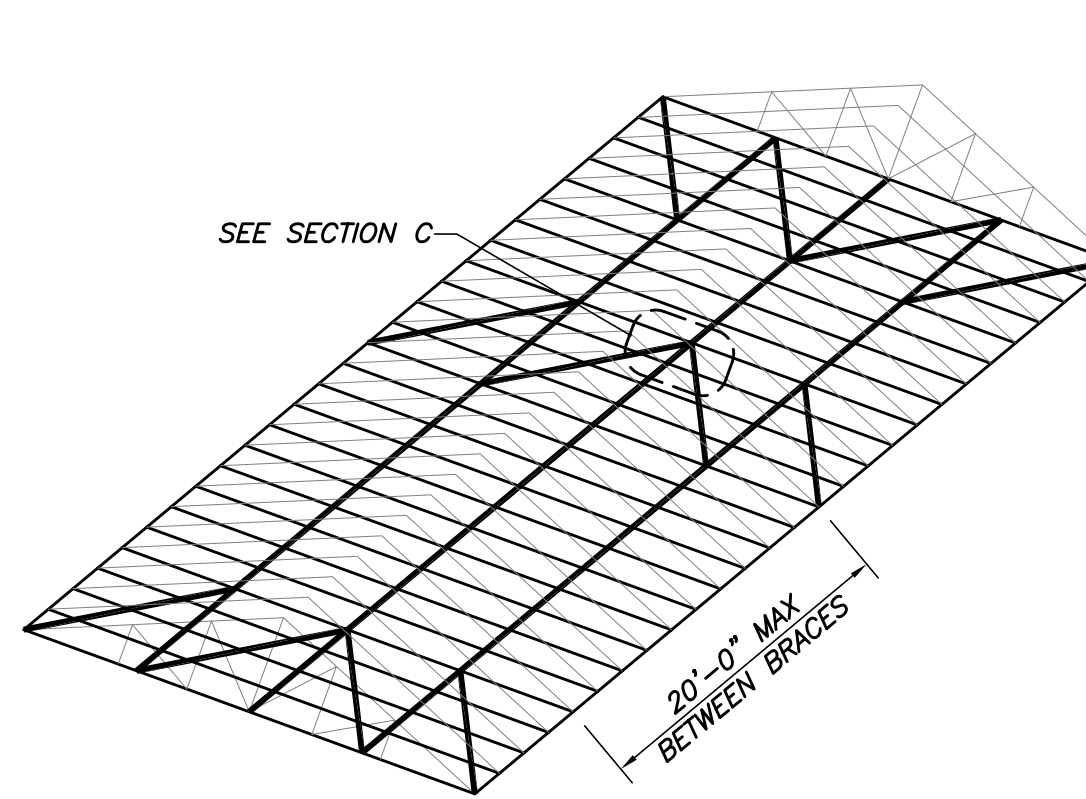


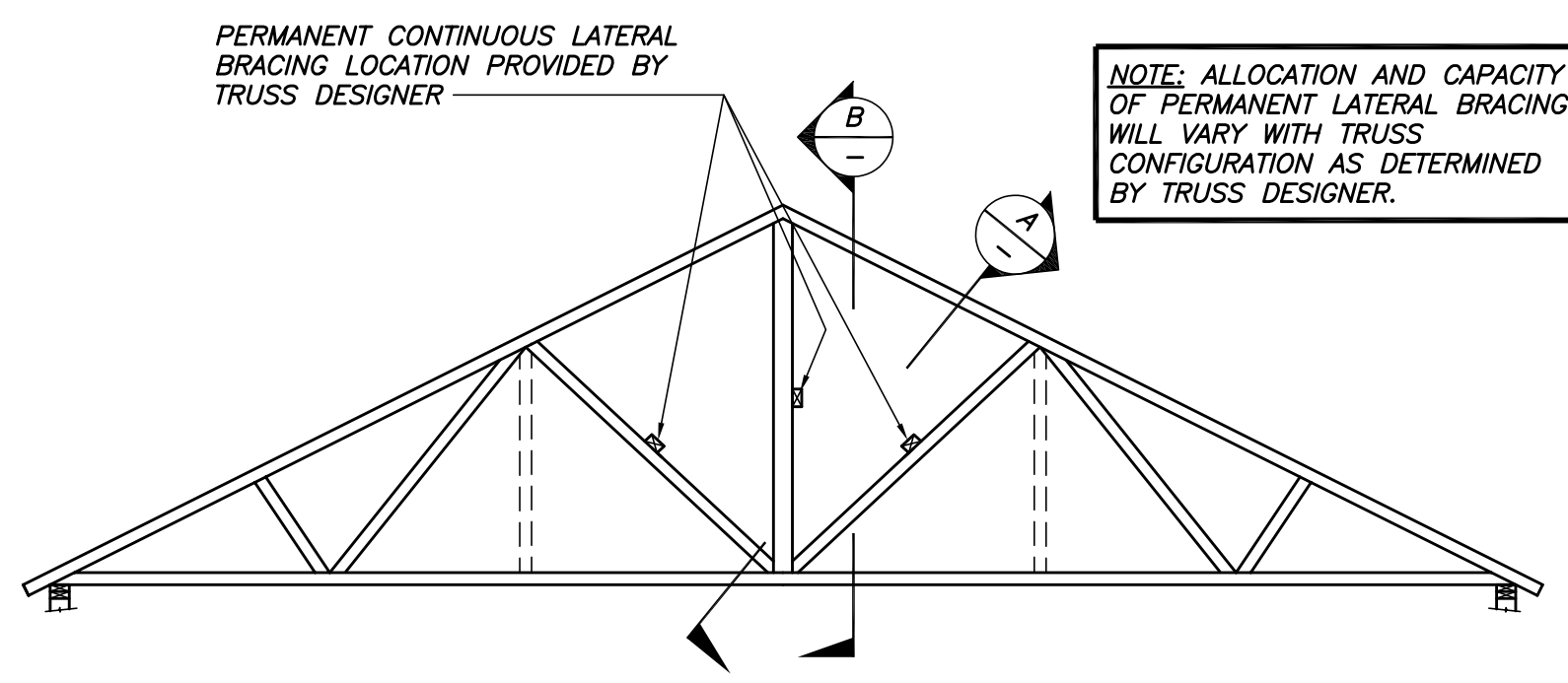
DIAGONAL MEMBER BRACING SCHEMATIC



VERTICAL MEMBER BRACING SCHEMATIC



BOTTOM CHORD BRACING SCHEMATIC
(WHEN DIRECTLY APPLIED, RIGID CEILING IS NOT PRESENT)



EXAMPLE ROOF TRUSS ELEVATION
N.T.S.

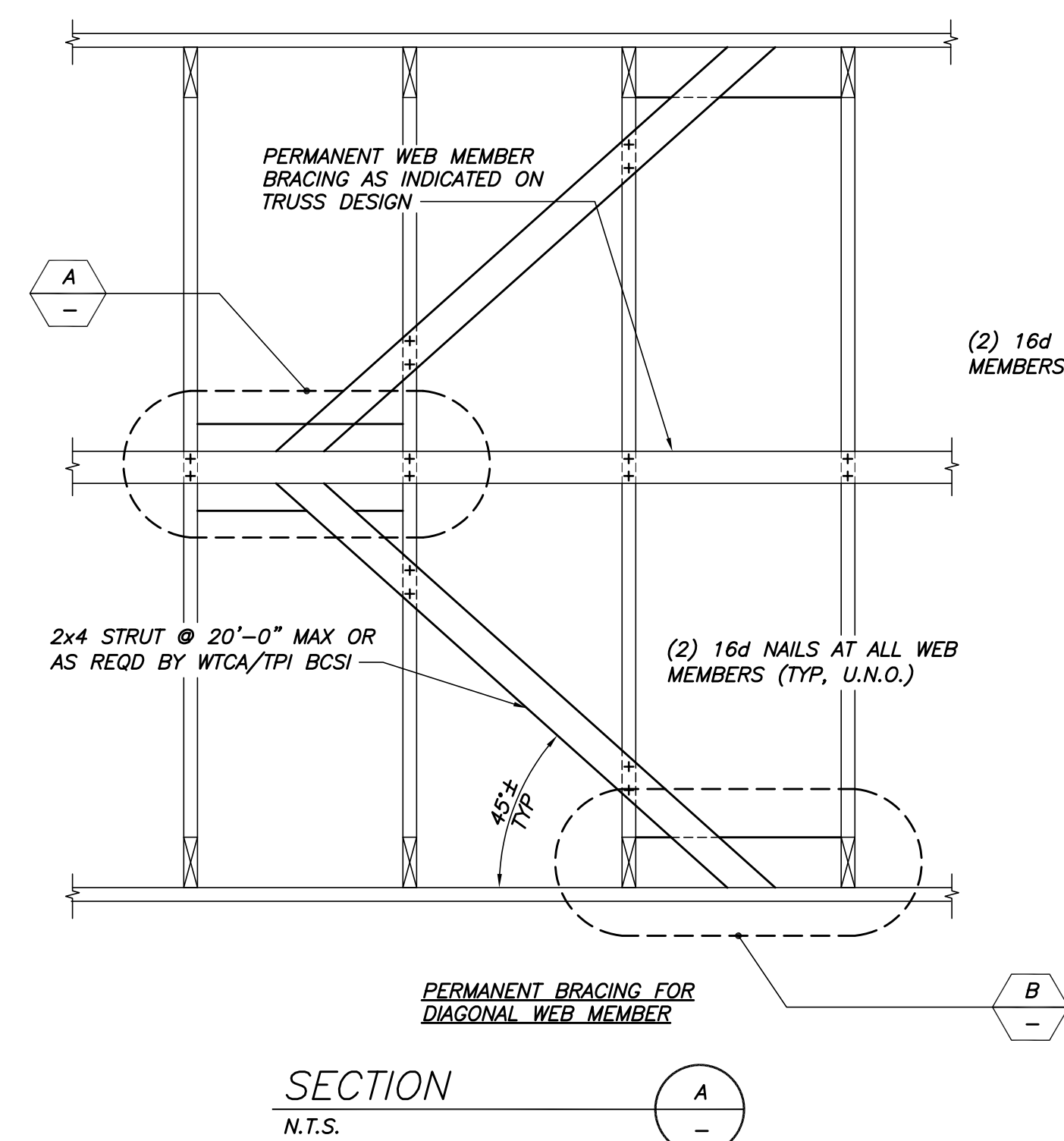
TRUSS MANUFACTURER/SUPPLIER NOTE:

1. LOCATION OF PERMANENT CONTINUOUS LATERAL WEB BRACING SHALL BE INDICATED ON TRUSS PLACEMENT PLAN AND MARKED ON TRUSS BY EITHER A TAG OR A PAINT MARK, PER THE PROJECT SPECIFICATIONS.

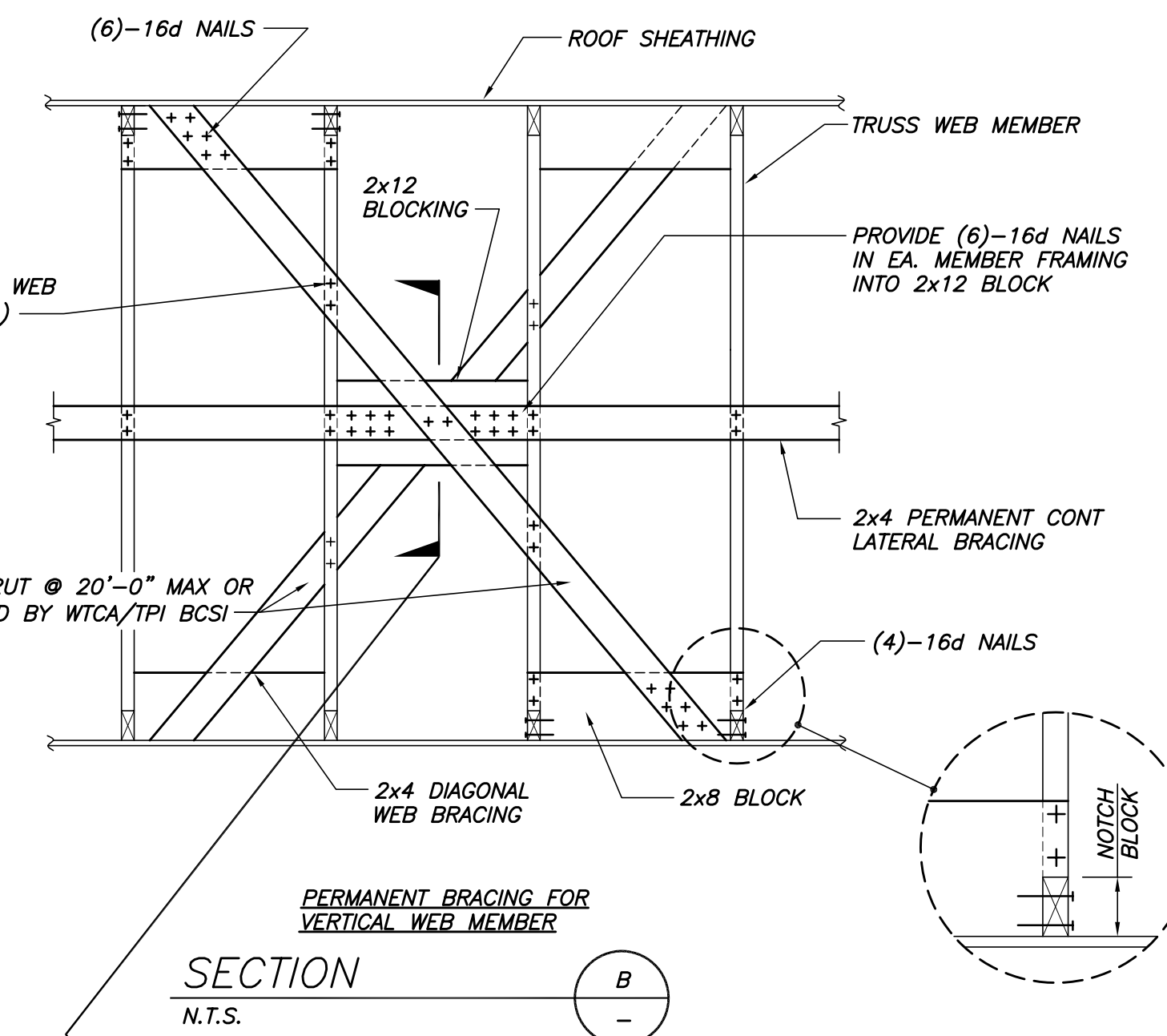
CONTRACTOR NOTES:

1. TOP CHORD PERMANENT BRACING: FULL SHEATHING. BOTTOM CHORD PERMANENT BRACING: STRAPPED GYPSUM SHEATHING/CEILING.
2. THE SECTIONS AND DETAILS ADDRESS PERMANENT BRACING STRUTS/CONNECTIONS FOR WEB MEMBERS ONLY. SEE THE SPECIFICATIONS AND BCSI (LATEST EDITION) FOR TEMPORARY BRACING REQUIREMENTS.
3. AT LOCATIONS WHERE WEB CROSS BRACING AND PERMANENT CONTINUOUS LATERAL BRACING ARE REQUIRED, REFER TO SECTION "B-B", THIS DWG.

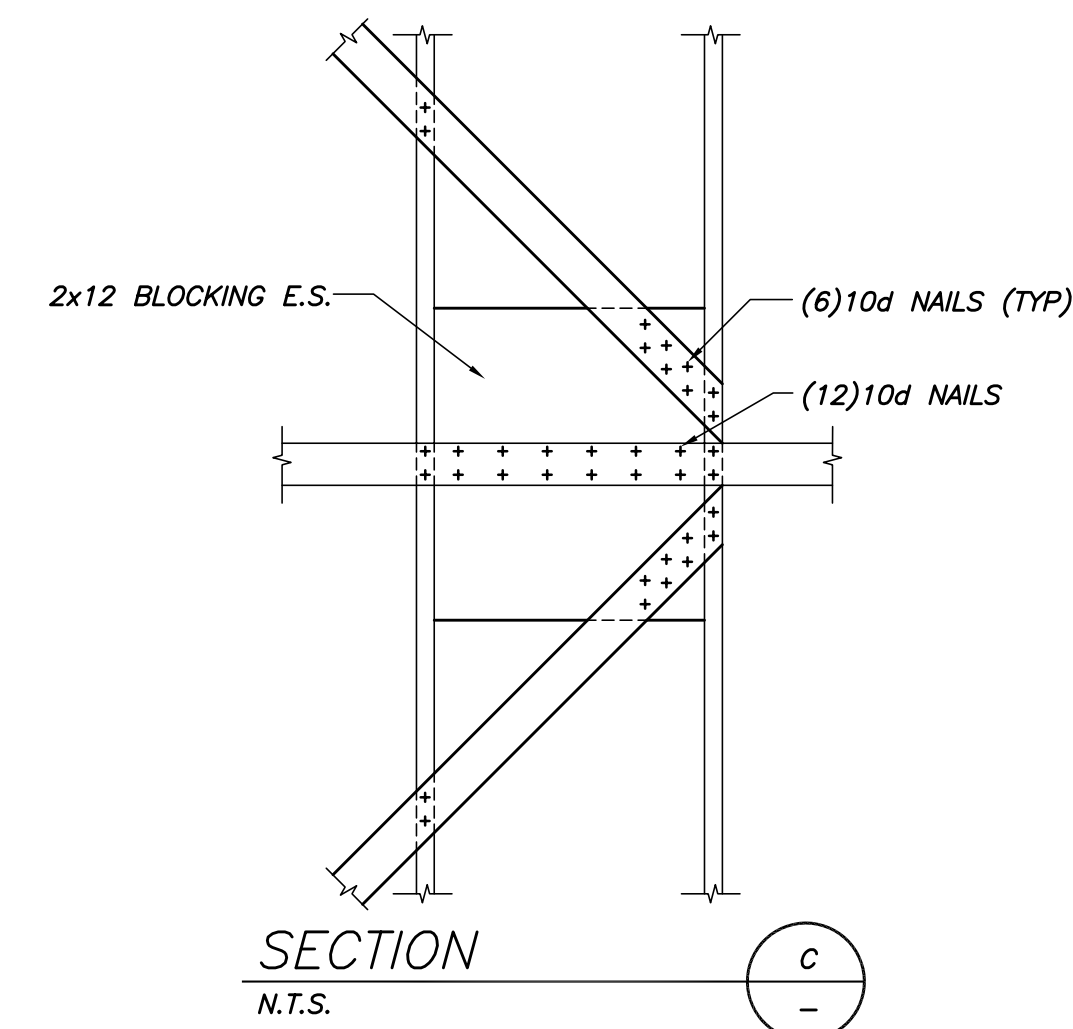
PERMANENT LATERAL TRUSS BRACING CONNECTIONS/STRUTS FOR WEB MEMBERS



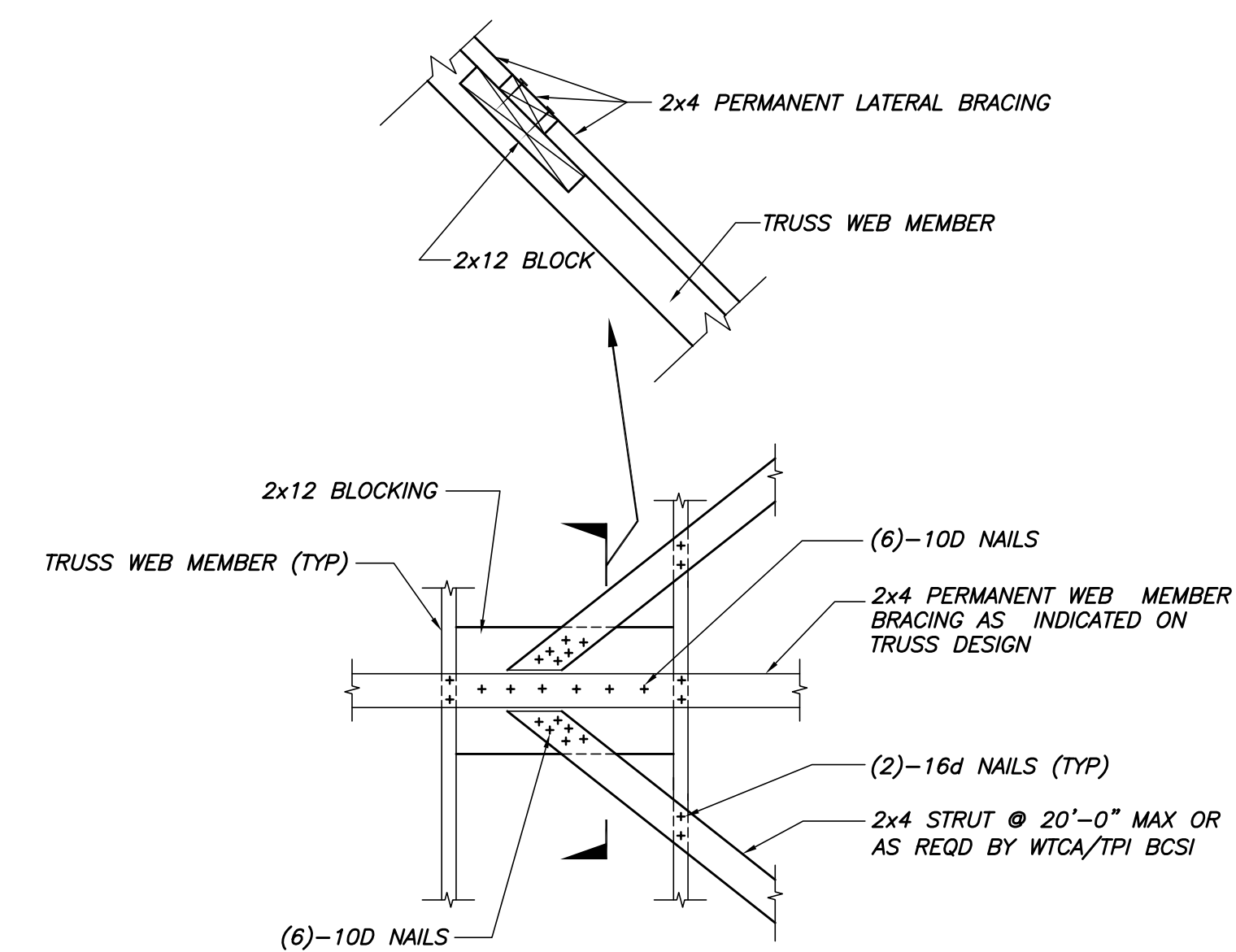
SECTION A-A
N.T.S.



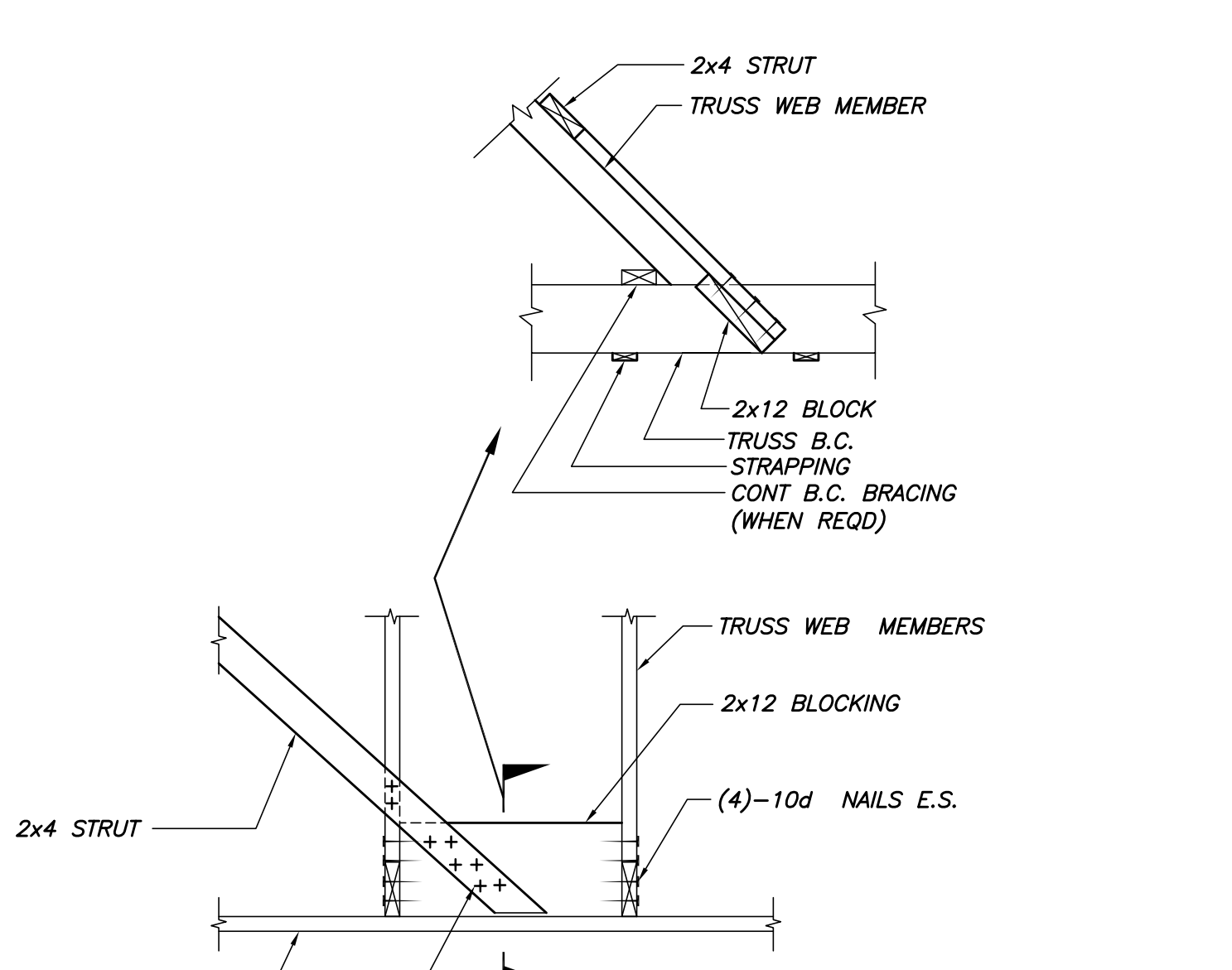
SECTION B-B
N.T.S.



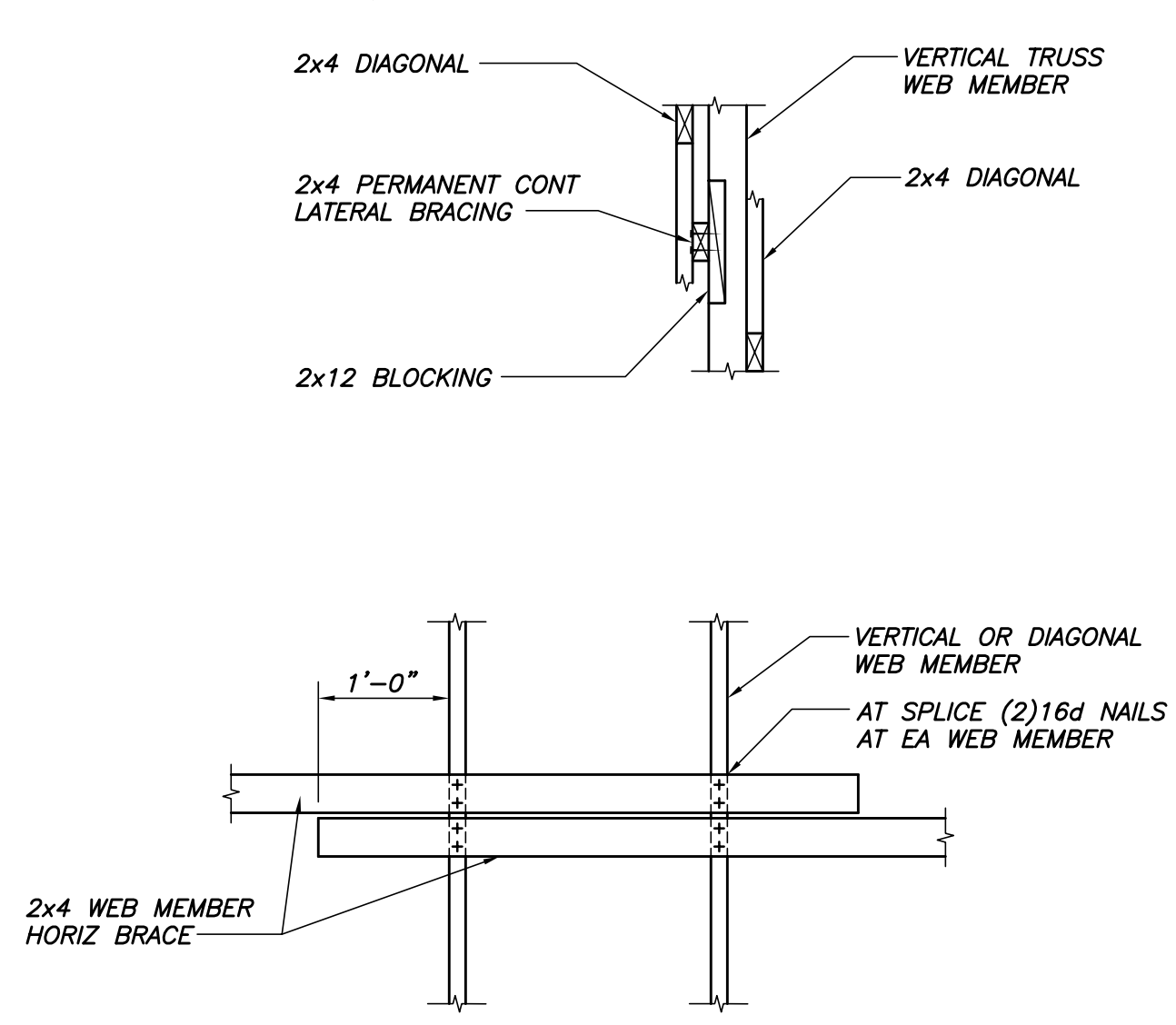
SECTION C-C
N.T.S.



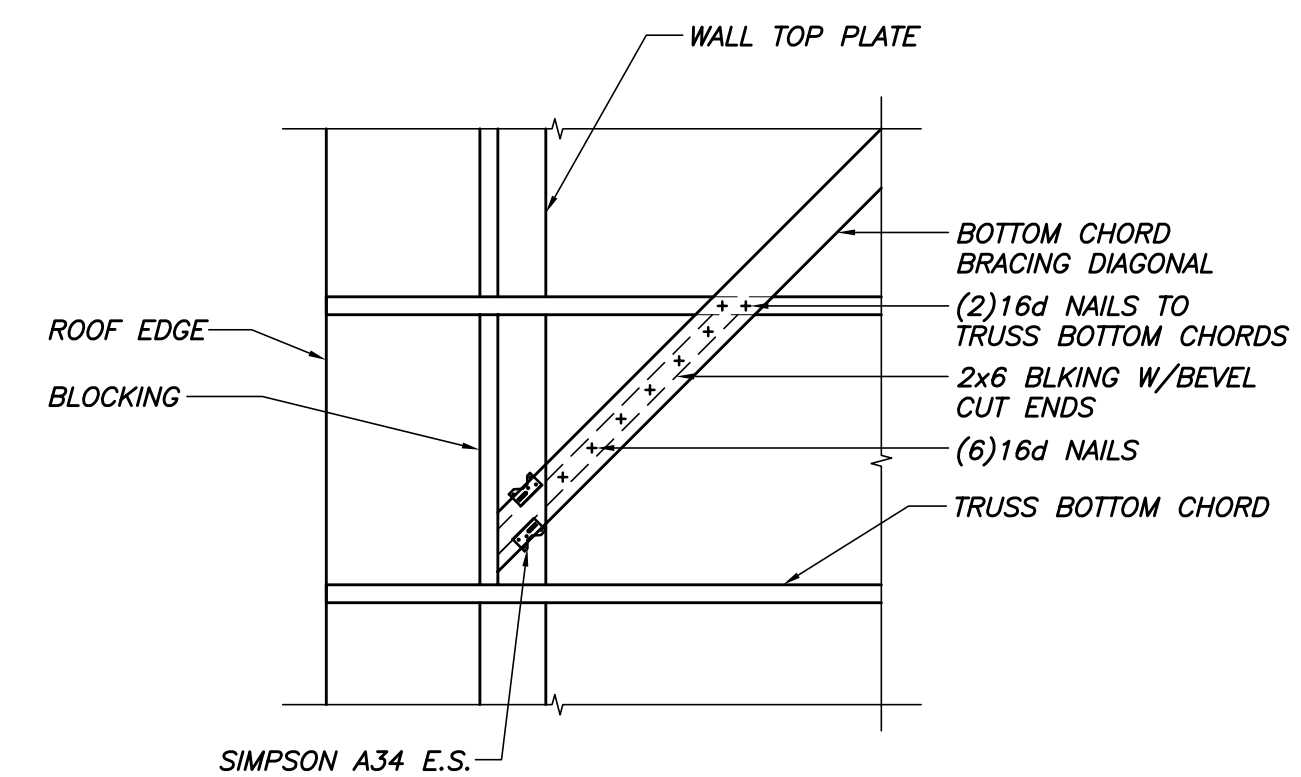
DETAIL A
N.T.S.



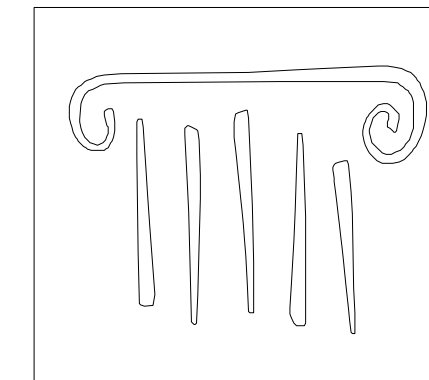
DETAIL B
N.T.S.



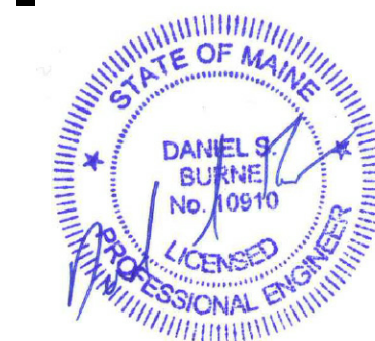
TYPICAL HORIZONTAL BRACING SPLICE
N.T.S.



BOTTOM CHORD BRACING DETAIL
N.T.S.



65 NEWBURY STREET
PORTLAND, ME 04101
207.761.9000
info@portcityarch.com
WWW.PORTCITYARCH.COM



UNE
UNIVERSITY OF
NEW ENGLAND

Allied Engineering
Structural Mechanical Electrical Commissioning

CONSIGLI
Est. 1905

BECKER
STRUCTURAL ENGINEERS

REVISIONS		
No.	Description	Date

PERMIT SET

UNIVERSITY OF
NEW ENGLAND
PORTLAND, MAINE

ALUMNI HALL
RENOVATION

TRUSS BRACING
SCHEMATIC

Project Number	3450
Date	May 1, 2015
Drawn by	MSK
Checked by	CGW

S13

Scale AS NOTED