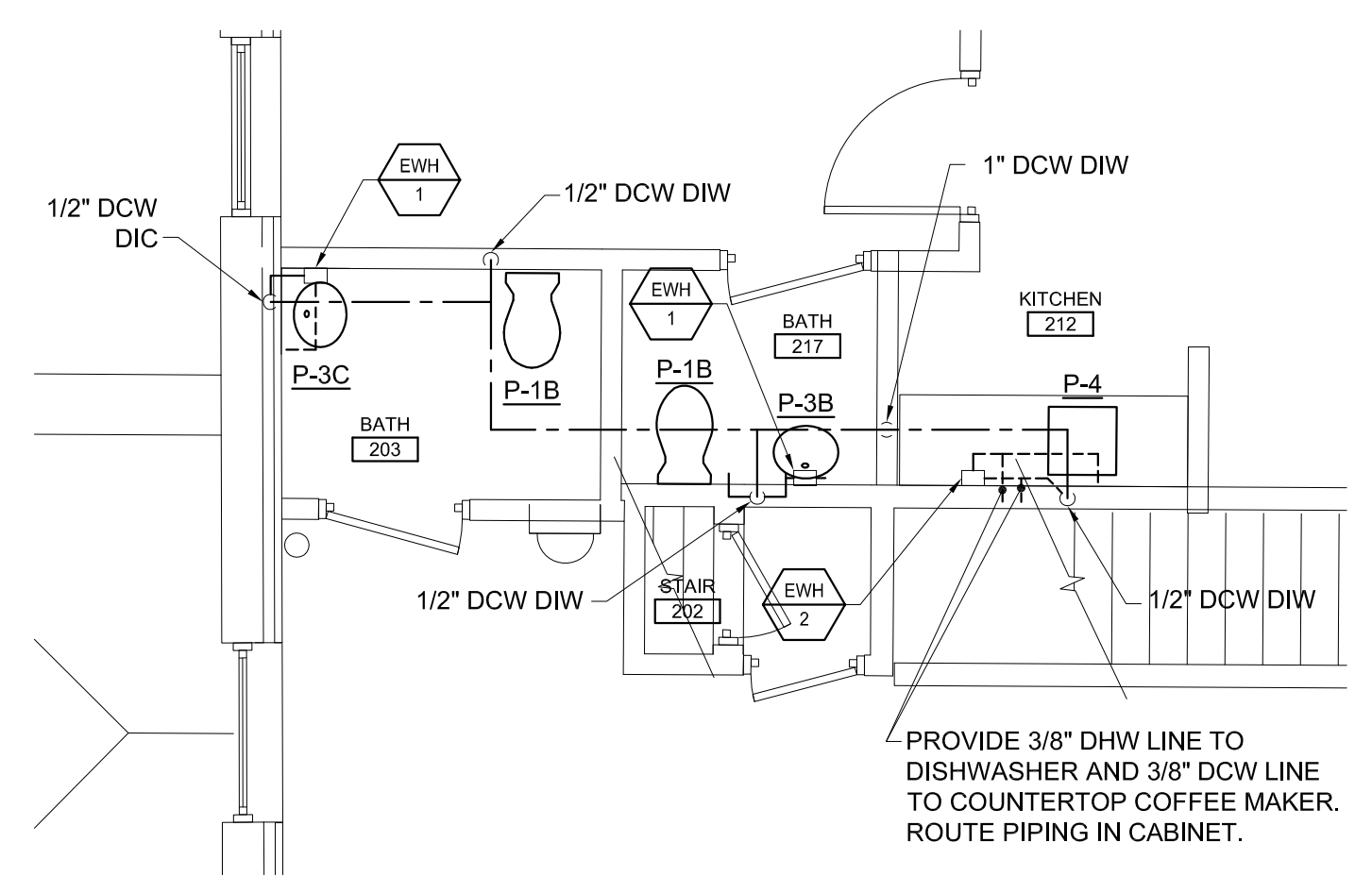


FOR DETAIL OF DOMESTIC PIPING IN THIS AREA, SEE A6 PL1.3

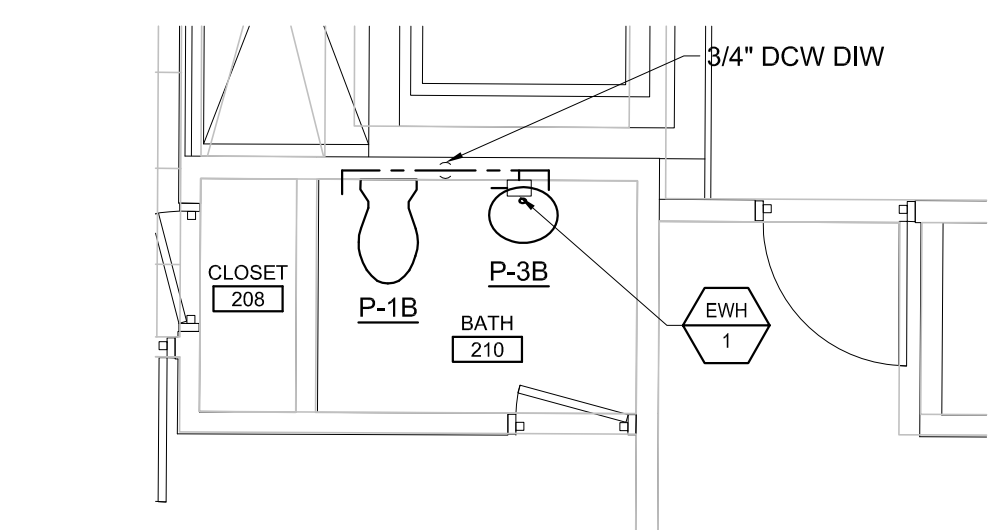
FOR DETAIL OF DOMESTIC PIPING IN THIS AREA, SEE A9 PL1.3

4\"/>

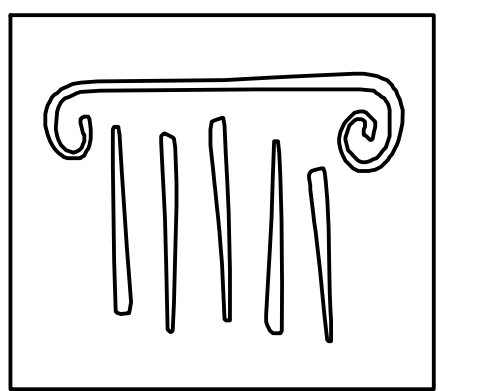
A6  
1/4\"/>



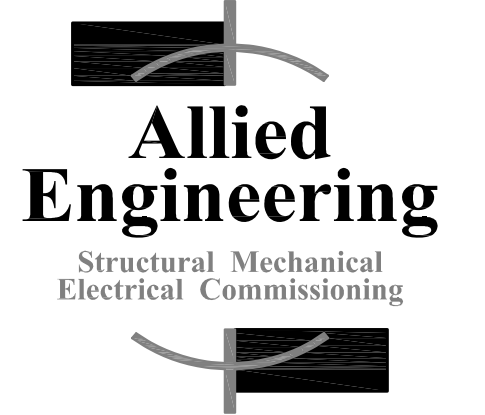
A9  
1/4\"/>



N:\Projects\2014\14088 - UNE - Alumni Hall\GD Drawing Files\14088.dwg Apr 30, 2015 - 3:39pm



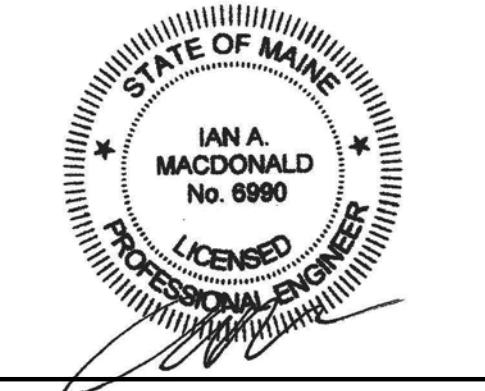
65 NEWBURY STREET  
PORTLAND, ME 04101  
207.761.9000  
info@portcityarch.com  
WWW.PORTCITYARCH.COM



**Allied Engineering**  
Structural Mechanical  
Electrical Commissioning

160 Veranda Street  
Portland, Maine 04103  
T: 207.221.2260  
F: 207.221.2266  
Web: www.allied-eng.com

ALLIED PROJECT No: 14088  
Graphic Scale: 1" = 1'-0"



REVISIONS		
No.	Description	Date

PERMIT SET

**UNIVERSITY OF NEW ENGLAND**  
PORTLAND, MAINE

**ALUMNI HALL RENOVATION**

**PLUMBING PLAN ~ SECOND FLOOR**

Project Number: 14525  
Date: May 1, 2015  
Drawn by: REW  
Checked by: HAG

P5  
Scale: AS NOTED