

TRENCH BACKFILL SCHEDULE

PIPE MATERIAL	PIPE BEDDING	INITIAL BACKFILL	BACKFILL
HDPE	3/4" CRUSHED STONE	3/4" CRUSHED STONE	***EXCAVATED MATERIAL OR GRANULAR BORROW
PVC	3/4" CRUSHED STONE	3/4" CRUSHED STONE	***EXCAVATED MATERIAL OR GRANULAR BORROW
DUCTILE IRON	GRANULAR MATERIAL	GRANULAR MATERIAL	***EXCAVATED MATERIAL OR GRANULAR BORROW
COPPER	SAND	SAND	***EXCAVATED MATERIAL OR GRANULAR BORROW

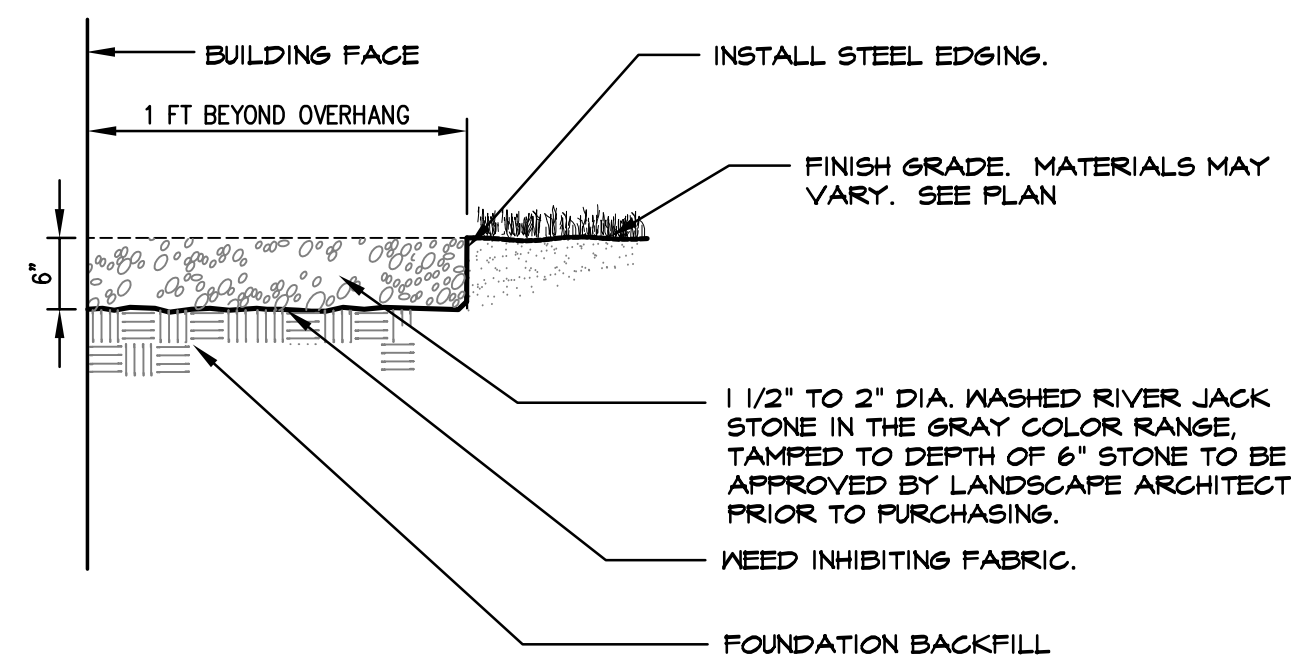
*** EXCAVATED MATERIAL MUST BE REVIEWED AND APPROVED BY THE OWNER'S REPRESENTATIVE PRIOR TO INSTALLATION.

GRANULAR MATERIAL TO BE SAND OR GRAVEL.

1 TYPICAL TRENCH SECTION

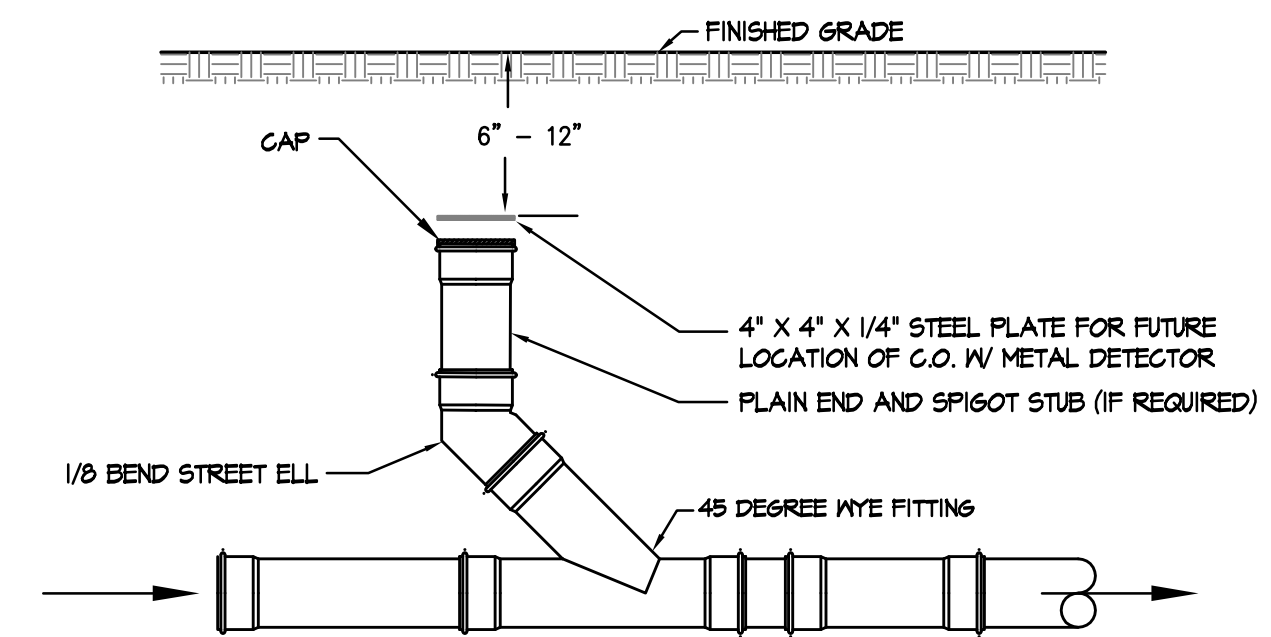
SCALE: N.T.S.

- NOTES:
1. THE CONTRACTOR SHALL EXTEND THE WIDTH OF THE DRIP STRIP AT BUILDING JOGS AND BUMP OUTS AS REQUIRED TO CATCH ALL ROOF RUN OFF. CONTRACTOR SHALL PROVIDE THE OWNER'S REPRESENTATIVE WITH A SHOP DRAWING OF ANY PROPOSED MODIFICATION TO THE DRIP STRIP FOR APPROVAL.
 2. STEEL EDGING TO BE 6" DEEP x 1/8" THICK, POWDERED COATED GREEN AS MANUFACTURED BY COL-MET OR APPROVED EQUIVALENT. INSTALL AND STAKE EDGING IN PLACE PER MANUFACTURER'S RECOMMENDATIONS.



2 STONE DRIP EDGE

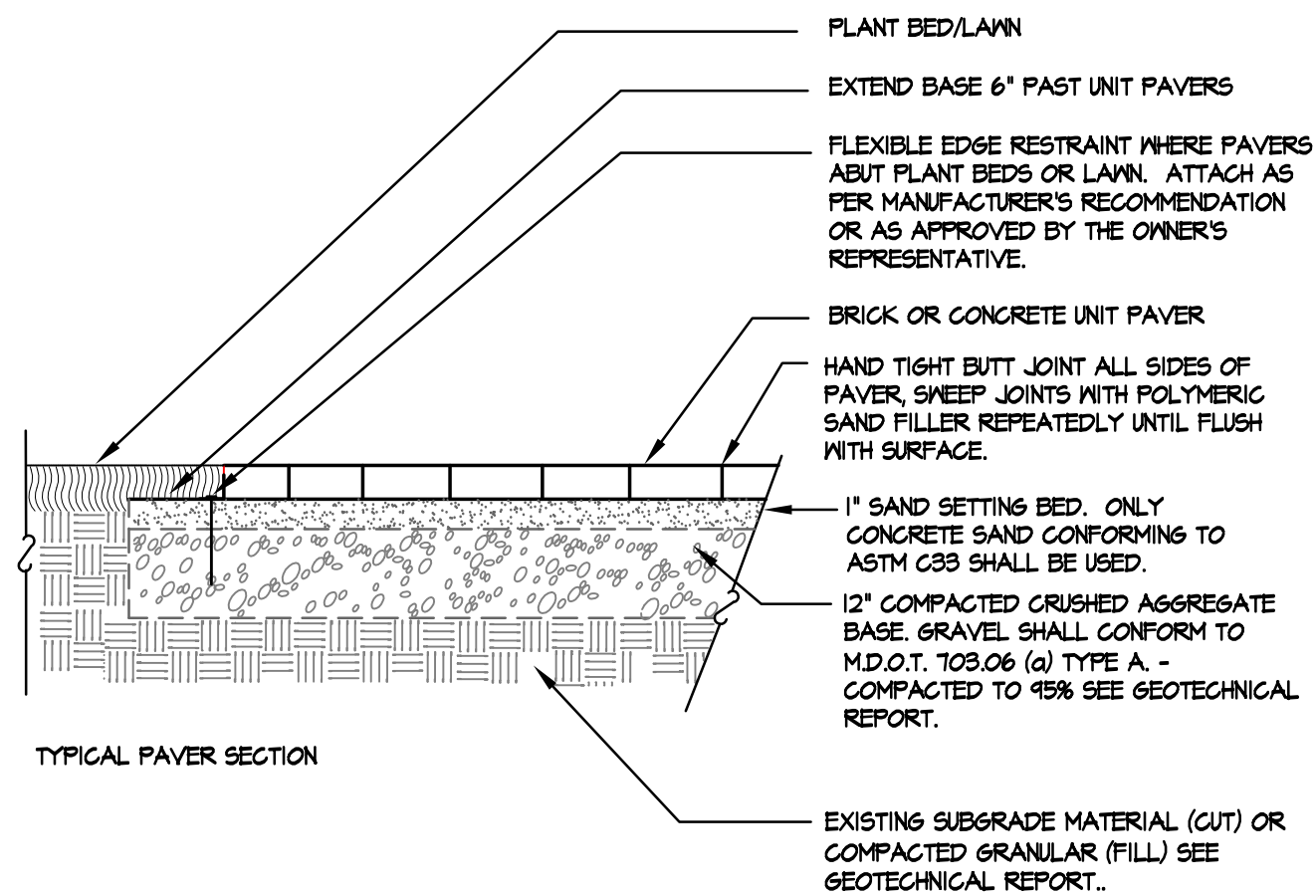
SCALE: N.T.S.



3 TYPICAL STORMDRAIN CLEANOUT DETAIL

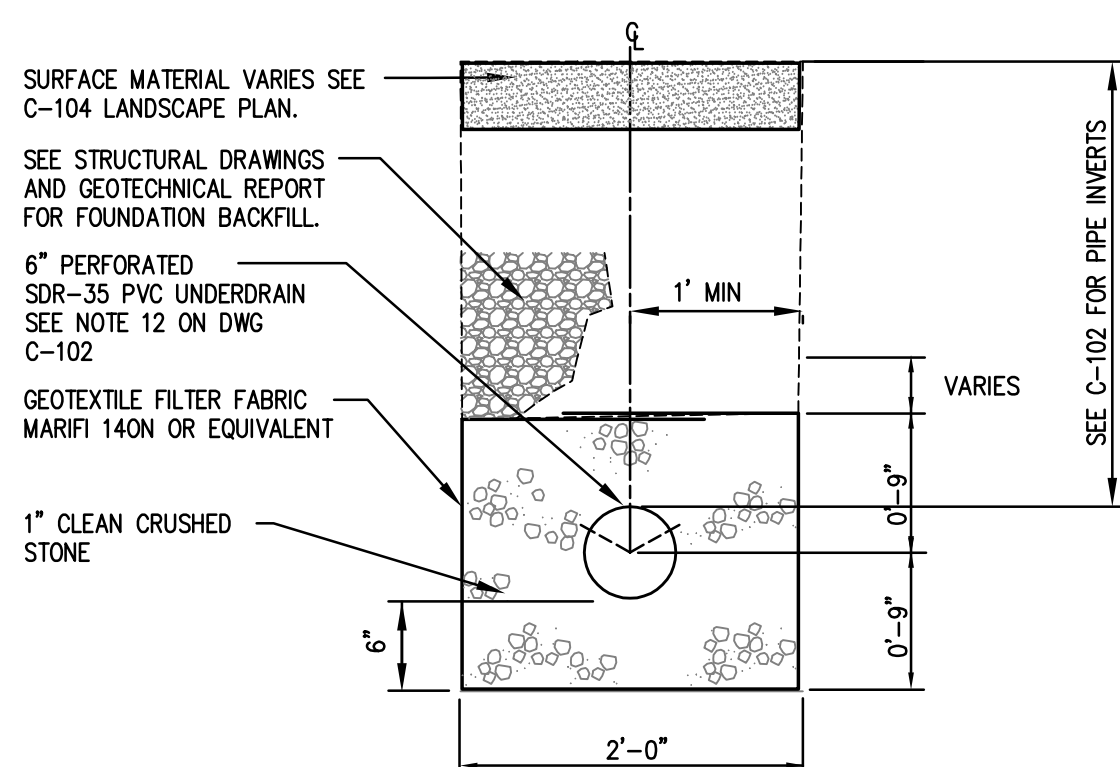
SCALE: N.T.S.

- NOTES:
1. ALL PAVERS SHALL BE SAW CUT ONLY. NO FRAGMENT SHALL BE SMALLER THAN 2". FINAL SURFACE SHALL PITCH TO DRAIN PER GRADING PLAN.
 2. UNIT PAVERS SHALL BE AS FOLLOWS:
 - TREVIA TUMBLER PAVES OR EQUIVALENT IN ASH CHARCOAL COLOR. SAMPLES SHALL BE PROVIDED TO THE OWNER PRIOR TO PURCHASE FOR APPROVAL.
 - SUPPLEMENTAL BRICK PAVERS SHALL BE THE PATHWAY BRICK IN FULL RANGE COLOR AS MANUFACTURED BY PINE HALL BRICK AND DISTRIBUTED BY GENEST CONCRETE PRODUCTS. SAMPLES SHALL BE PROVIDED TO THE OWNER PRIOR TO PURCHASE FOR APPROVAL.



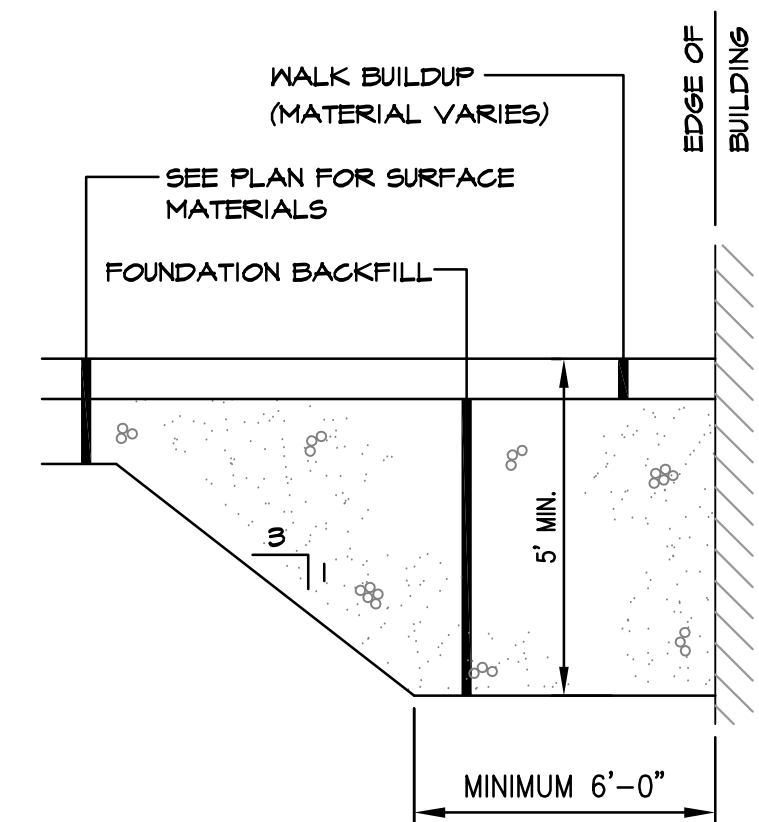
4 UNIT PAVER AND BRICK WALK

SCALE: N.T.S.



5 STORMDRAIN/UNDERDRAIN TRENCH

SCALE: N.T.S.



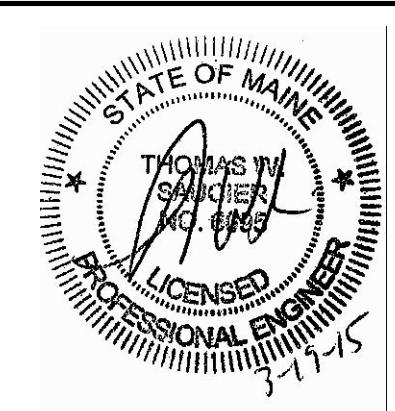
6 SECTION AT BUILDING ENTRANCES AND STAIRS

SEE GEOTECHNICAL REPORT FOR ADDITIONAL INFORMATION
INSTALL FULL WIDTH OF ENTRYWAY

Drawing Name: P:\2014 Projects\14-216-05 Alumni Design\Drawings\0385.rvt Plot Date: / Thu, Mar 19, 15 / 11:11 AM

THIS PLAN SHALL NOT BE MODIFIED WITHOUT WRITTEN PERMISSION FROM SITE DESIGN ASSOCIATES. ANY ALTERATIONS, OTHERWISE, SHALL BE AT THE USER'S SOLE RISK AND WITHOUT LIABILITY TO SITE DESIGN ASSOCIATES.

REV.	DATE	STATUS	BY	CHKD.	APPD.	REV.	DATE	STATUS	BY	CHKD.	APPD.
B	03/20/15	STRUCTURAL EARLY RELEASE BID DRAWINGS		TWS	TWS						
A	2/27/15	ISSUED FOR DESIGN DEVELOPMENT		TWS	TWS						



Site Design Associates
Consulting Engineering & Land Planning
23 Whitney Way Topsham, Maine 04086 Tel: (207) 449-4275
CLIENT: **PORT CITY ARCHITECTURE**
65 NEWBURY STREET, PORTLAND, MAINE 04101

DESIGN: TWS	PROJECT: ALUMNI HALL RENOVATION
DRAWN: DEPT.	UNIVERSITY OF NEW ENGLAND, PORTLAND, MAINE
CHKD: TWS	SITE DETAILS
DATE: JAN 2015	PROJ. NO.
SCALE: AS NOTED	DWG. NO.

REV. C5	B
---------	---