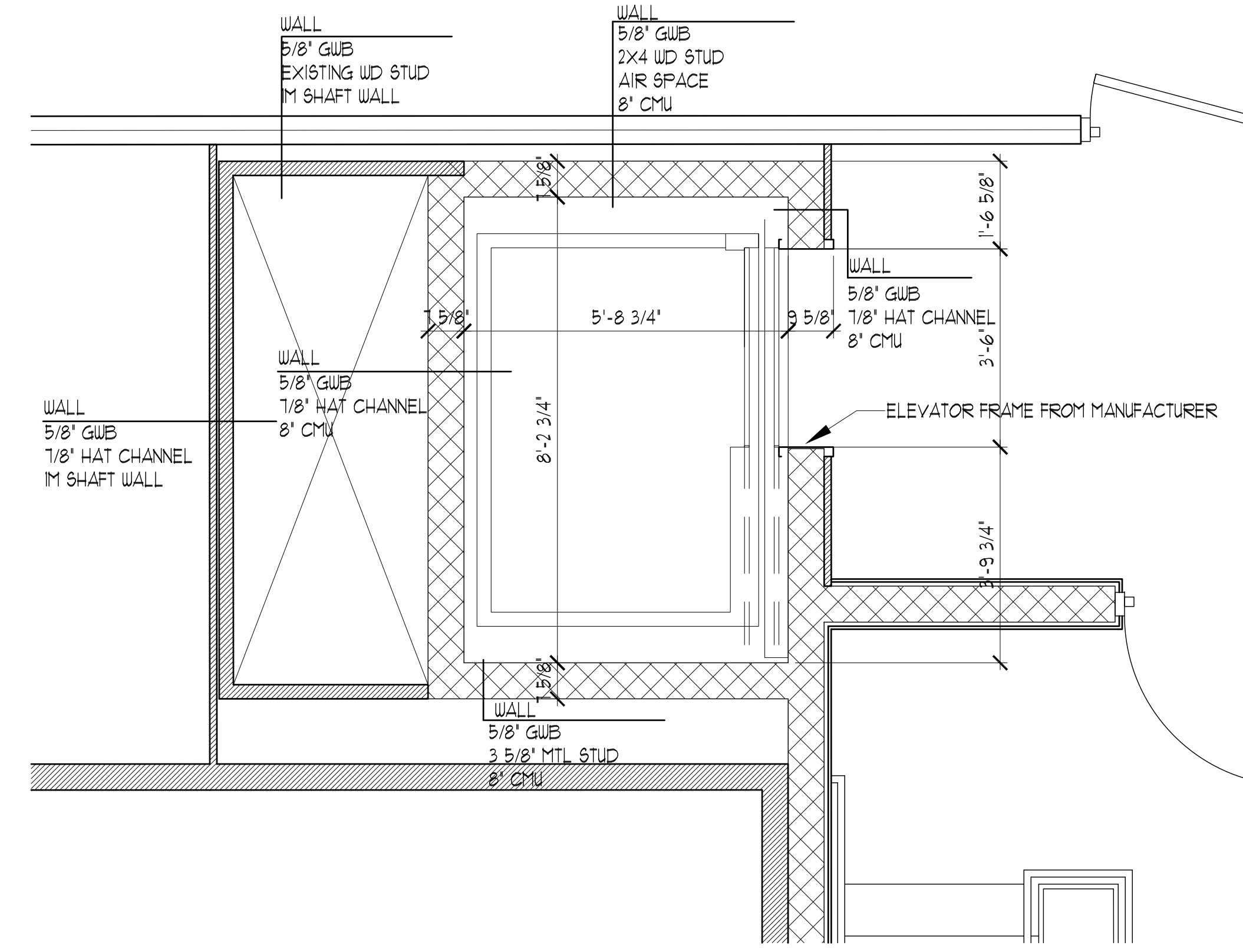
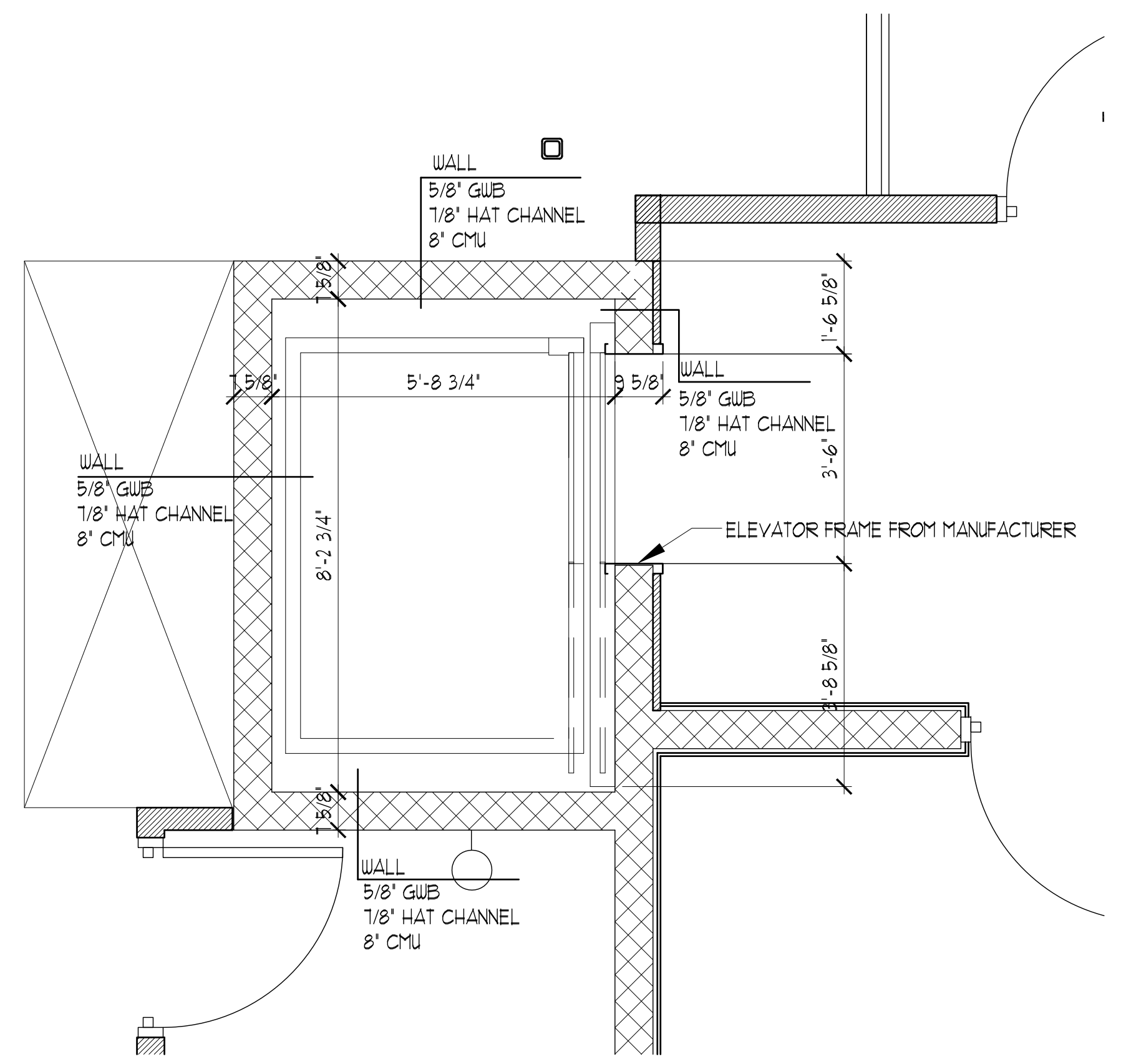


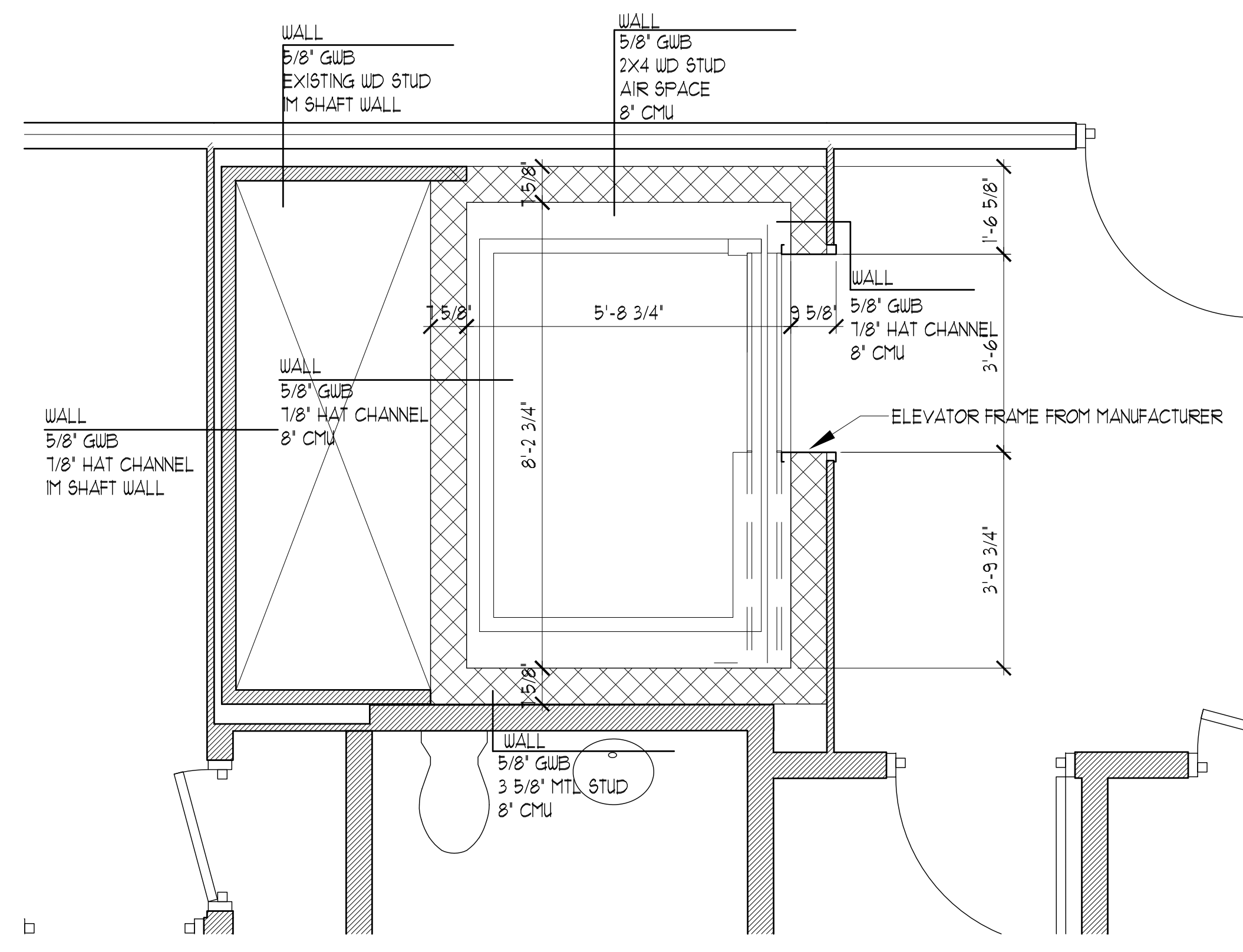
4 ELEVATOR PIT PLAN
SCALE: 1/2" = 1'-0"



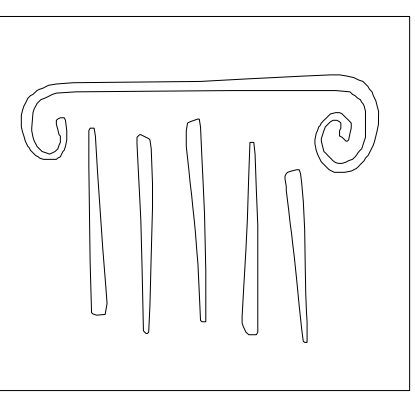
2 FIRST FLOOR ELEVATOR PLAN
SCALE: 1/2" = 1'-0"



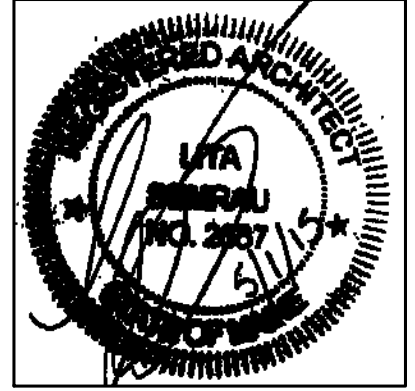
3 LOWER LEVEL ELEVATOR PLAN
SCALE: 1/2" = 1'-0"



1 SECOND FLOOR ELEVATOR PLAN
SCALE: 1/2" = 1'-0"



65 NEWBURY STREET
 PORTLAND, ME 04101
 207.761.9000
 info@portcityarch.com
 WWW.PORTCITYARCH.COM



UNE
 UNIVERSITY OF
 NEW ENGLAND

Allied Engineering
 Structural Mechanical Electrical Commissioning

CONSIGLI
 Est. 1905

BECKER
 STRUCTURAL ENGINEERS

PERMIT SET

REVISIONS		
No.	Description	Date

UNIVERSITY OF
 NEW ENGLAND
 PORTLAND, MAINE
 ALUMNI HALL
 RENOVATION
 ELEVATOR
 PLANS

Project Number 14525
 Date May 01, 2015
 Drawn by JP TS SM AR
 Checked by LAS

A34

Scale AS NOTED