

LEGEND:

Table with columns: CONTRACT SYMBOL, DESCRIPTION, CATALOG #. Lists various fire alarm components like FACP, MFC, SD, etc.

GENERAL NOTES:

- 1. ALL WIRING IN ACCORDANCE WITH NATIONAL ELECTRICAL CODE, STATE OF MAINE BUILDING CODE, LOCAL AUTHORITY HAVING JURISDICTION, AND MANUFACTURER'S REQUIREMENTS AND RECOMMENDATIONS.

WIRING NOTES:

- 1. ALL ADDRESSABLE DEVICES MUST BE INSTALLED IN A HEATED LOCATION.

- 2. Addressable Loop consists of: (1) 2c #16 Twisted Non-shielded from FACP to 1st device; (1) 2c #16 Twisted Non-shielded through remaining devices on circuit and return to FACP. Maintain proper separation between feeds and returns.
- 3. Strobe circuits consist of a minimum: 2c #14 from FACP to 1st device; 2c #14 through remaining devices on circuit and terminate w/ an End of Line resistor (EOL). Location of End of Line device shall be clearly marked on outside of device.
- 4. Speaker circuits consist of a minimum: 2c #16 from FACP to 1st device; 2c #16 through remaining devices on circuit and terminate w/ an End of Line resistor (EOL). Location of End of Line device shall be clearly marked on outside of device.

UNE - Ludcke Auditorium
Portland, Maine
NAC Circuit Voltage Drop/Maximum Length Calculations

Click Here to Return to Bill of Material/Index

Example Data table with columns: Qty, Description, Qty, Description, Qty, Description. Includes formulas for voltage drop and length calculations.

EST - Addressable Fire Alarm System
UNE - Ludcke Auditorium
Portland, Maine
SEQUENCE OF OPERATION MATRIX

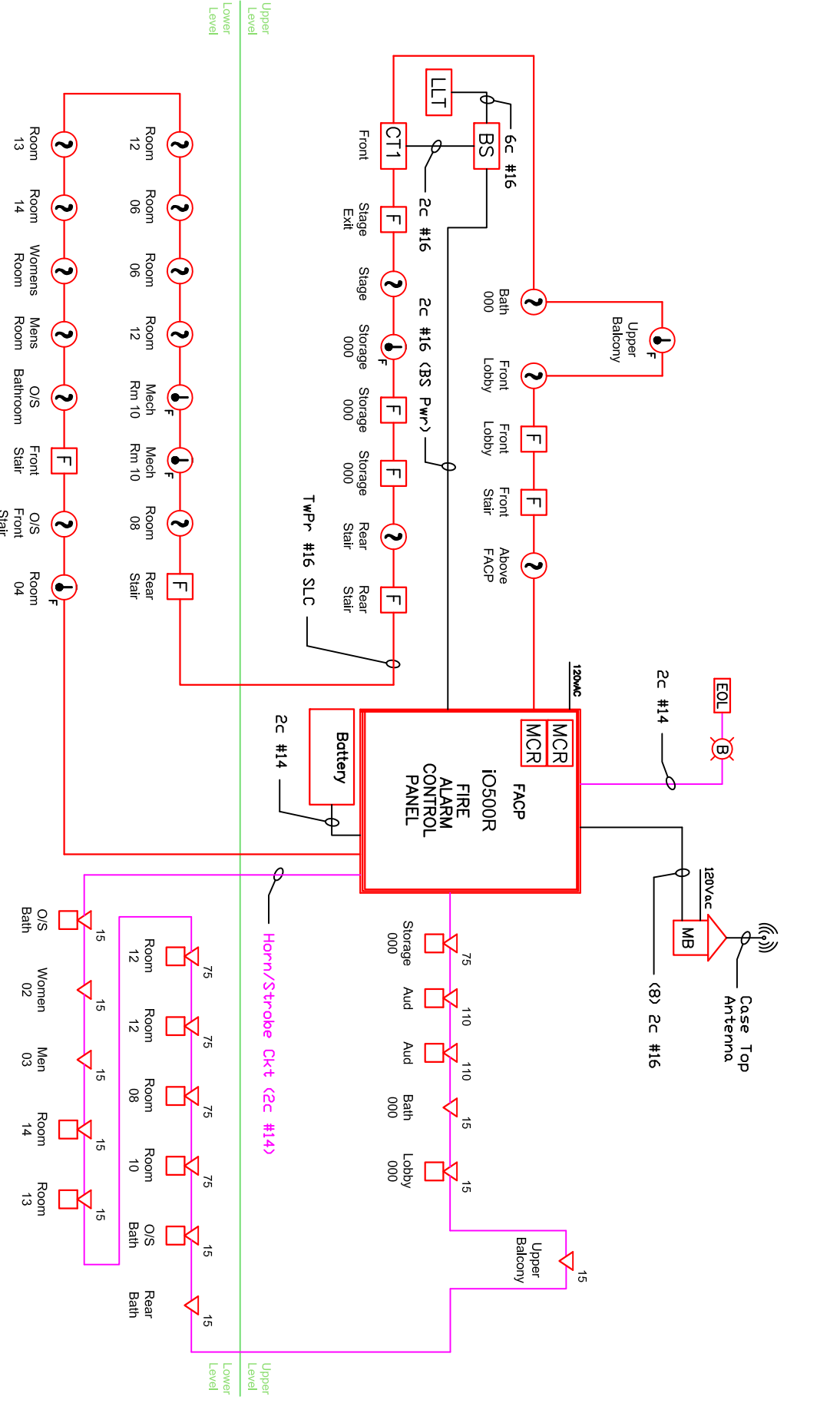
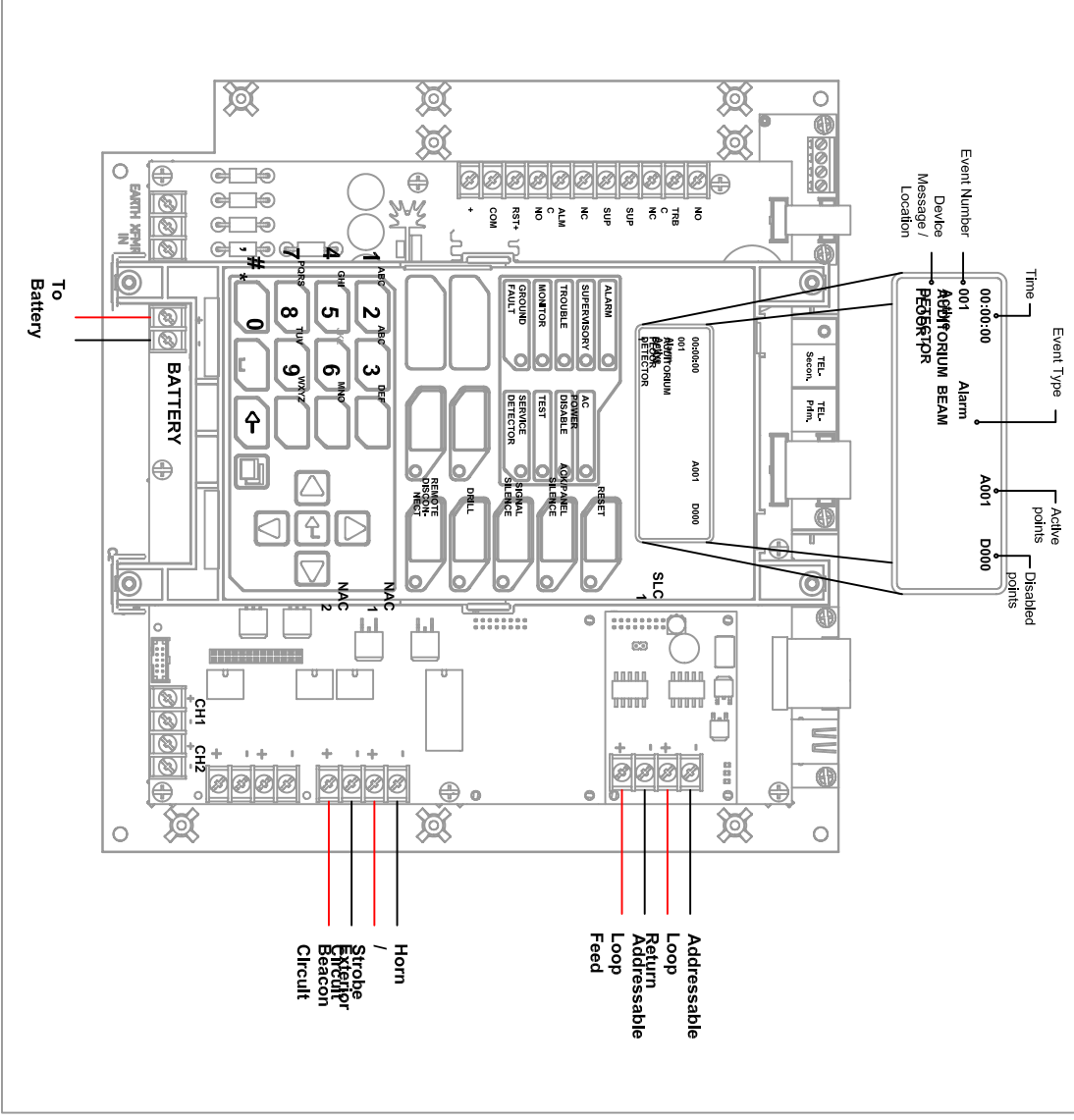
Click Here to Return to Bill of Material/Index

SEQUENCE OF OPERATION MATRIX table with columns: Alarm Signal to Fire Department via Radio Master Box, Alarm Signal to Campus Security via Digital Communicator (DACT), etc.

R.B. Allen Co., Inc. logo and contact information: 131 LAFAVETTE RD, NO. HAMPTON, NH 03862, 1-800-258-7264

University of New England logo and project name: Ludcke Auditorium, FIRE ALARM RISER DIAGRAM, DWG No: FA-001

University of New England logo and project name: Ludcke Auditorium, FIRE ALARM RISER DIAGRAM, JOB NAME, Contractor: DHH TRD



SCALE: NTS, REV. 0 Original Issue, DATE 06/13, DRWN: DHH, RW'D: TRD