

LEGEND:

RISER DIAG SYM	NFPA SYMBOL*	DESCRIPTION	CATALOG #
FACP	FACP	Fire Alarm Control Panel	EST3
BPS	FACU	Notification Power Extender (Fire Alarm Control Unit)	BPS10A
F	P	Manual Pull Station	SIGA-278
S	?	Smoke Detector w/Base	SIGA2-PS SIGA-SB
⊗	⊗	Ceiling Mount Strobe Unit (Adjustable Candela)	GCF-VM
⊗	⊗	Ceiling Mount Horn/Strobe Unit (Adjustable Candela)	GCF-HDVM
⊗	⊗	Exterior Red Beacon	495S1280R
⊗	⊗	AES Radio Box	AES

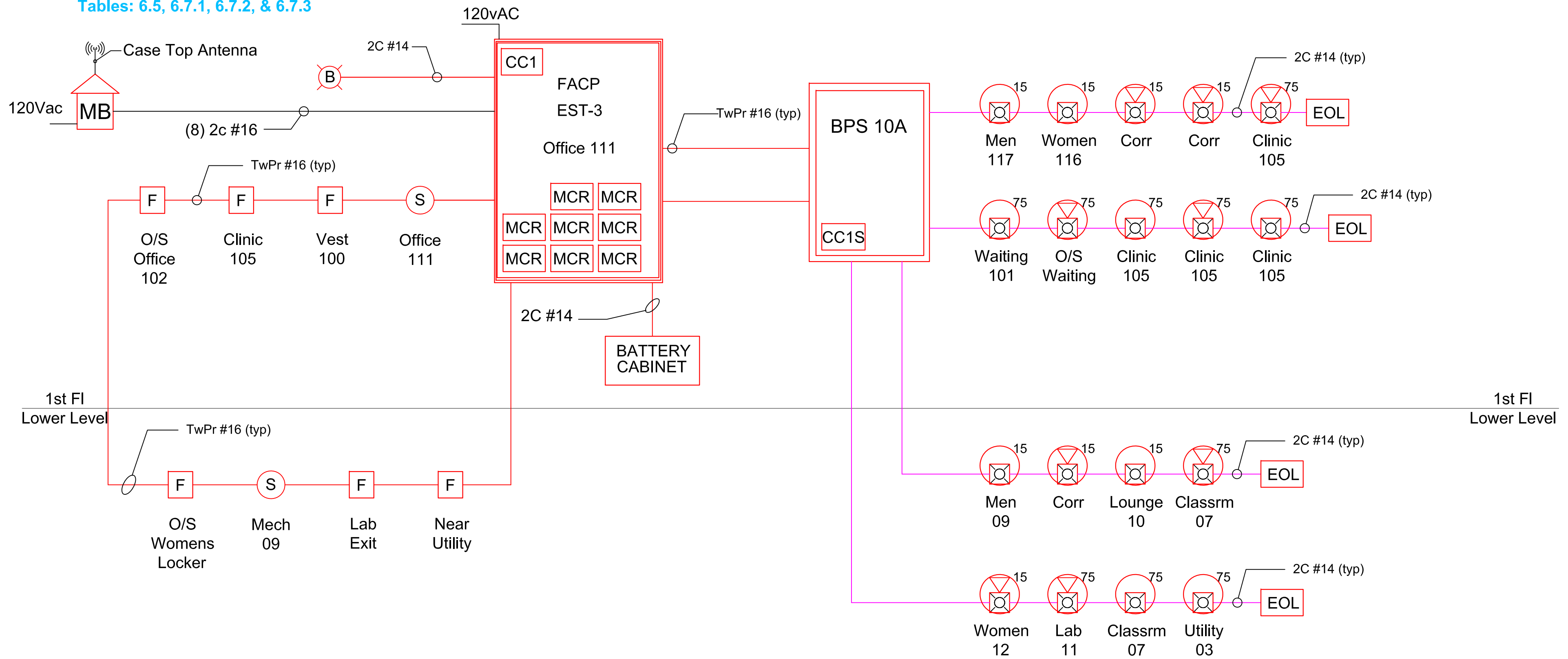
GENERAL NOTES REQUIREMENTS & RECOMMENDATIONS.

1. ALL WIRING IN ACCORDANCE WITH NATIONAL ELECTRICAL CODE, INTERNATIONAL BUILDING CODE (IBC), STATE OF MAINE, AND MANUFACTURER'S REQUIREMENTS & RECOMMENDATIONS.

WIRING NOTES:

1. ALL ADDRESSABLE DEVICES MUST BE INSTALLED IN A HEATED LOCATION.
2. Addressable Loop consists of: (1) 2c #16 Twisted Non-shielded from FACP to 1st device; (1) 2c #16 Twisted Non-shielded through remaining devices on circuit and return to FACP. Maintain proper separation between feeds and returns.
3. Strobe circuits consist of a minimum: 2c #14 from Booster Panel to 1st device; 2c #14 through remaining devices on circuit and end at end of line resistor.

* NFPA 170 (2009)
Tables: 6.5, 6.7.1, 6.7.2, & 6.7.3



JOB NAME: Coleman Hall
University of New England
Portland, Maine
FIRE ALARM RISER DIAGRAM

SCALE:	NTS	REV.	DATE	DRWN:	TRD:	RWN'D:
0	Original Issue	3/15		KMB		