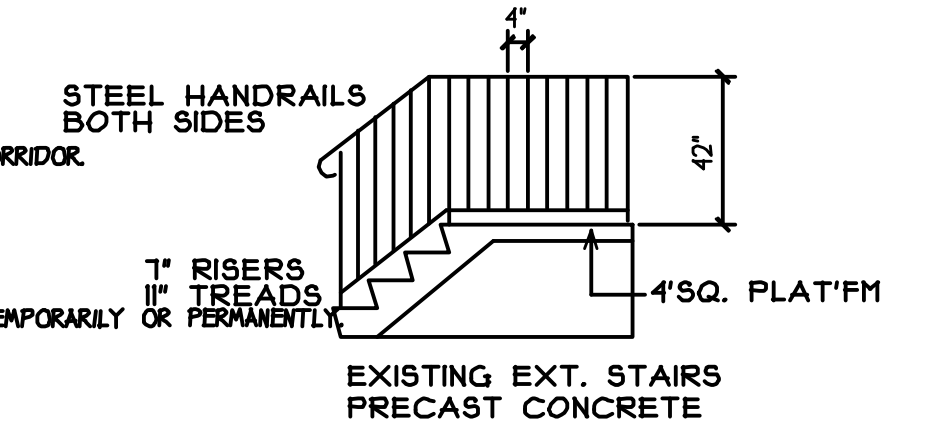


**DEMOLITION:**

1. REMOVE CARPET IN EXISTING OFFICES.
2. REMOVE SUSPENDED CEILING TILE IN EXISTING OFFICES AND CORRIDOR. EMERGENCY EXIT LIGHT.
3. REMOVE NON-LOAD BEARING WALLS AS SHOWN.
4. REMOVE DOORS TO ACCOMMODATE FUTURE BEACON.
5. REMOVE TOILET FACILITIES. PLUG DRAINS AND PIPES EITHER TEMPORARILY OR PERMANENTLY.
6. REMOVE CLOSET DOOR TO THIRD FLOOR STAIRS.
7. REMOVE GLASS/ALUMINUM ENTRANCE DOOR.
8. REMOVE EXISTING RAMP AND STAIRS IN MAIN CORRIDOR.



**NOTE:**  
EXISTING BUILDING PLAN DEVELOPED FROM FIELD DIMENSIONS. WALL THICKNESSES VARY AND MAY NOT BE TRULY DEPICTED HERE.  
ROOM SIZES ARE ROUNDED TO NEAREST FOOT  
WINDOWS SHOWN REPRESENT FRAMED SIZE.

WARNING: THIS DRAWING IS THE PROPERTY AND INSTRUMENT OF SHERIDAN CORPORATION FOR USE WITH THE PROJECT IDENTIFIED BELOW. NO MODIFICATIONS OR CHANGES MAY BE MADE TO THIS DRAWING WITHOUT THE EXPRESS WRITTEN PERMISSION OF SHERIDAN CORPORATION. ANY MODIFICATION, CHANGE OR USE OF THIS DRAWING WITHOUT THE EXPRESS WRITTEN PERMISSION OF SHERIDAN CORPORATION IS WRONGFUL AND IS AT THE USER'S RISK. SHERIDAN DISCLAIMS ANY AND ALL LIABILITY FOR SUCH USE.			
<b>DATE</b>	<b>REVISION</b>	<b>EST. NO.</b>	<b>Engineering Designs For</b>
		<b>SIZE</b>	<b>MAINE CENTERS for HEALTH CARE</b>
		<b>TYPE</b>	<b>980 FOREST AVENUE</b>
		<b>DRAWN BY</b> RS - RP	<b>PORTLAND, MAINE</b>
		<b>APPROVED BY</b>	<b>Job No.</b>
		<b>SCALE</b> 1/8" = 1'-0"	<b>031051</b>
		<b>DATE</b> 3/19/04	<b>ENGINEERING DWG. NO.</b>
			<b>D1</b>
			<b>OF</b>
			<b>SECOND FLOOR DEMOLITION PLAN</b>

PLOT DATE: 3-30-2004 PLOT TIME: 3:34 PM PATHNAME: N:\DCAD\TODUG\JOBS\RS\031051 D4-D4.AEC

DataCAD® FILE NAME: G.T.V. NAME: **D1**

**Sheridan**  
www.sheridaninc.com  
FAIRFIELD PORTLAND MAINE