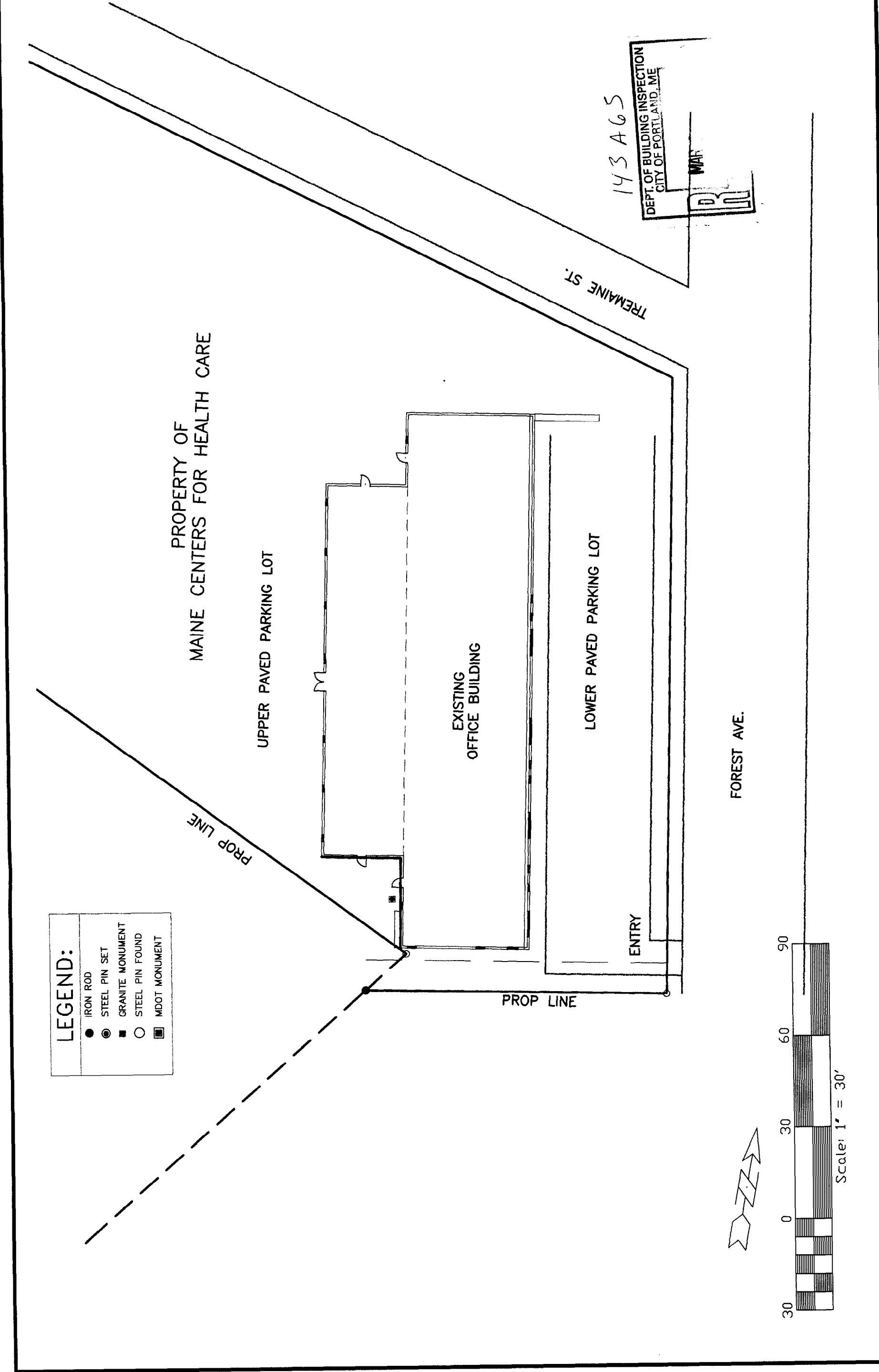
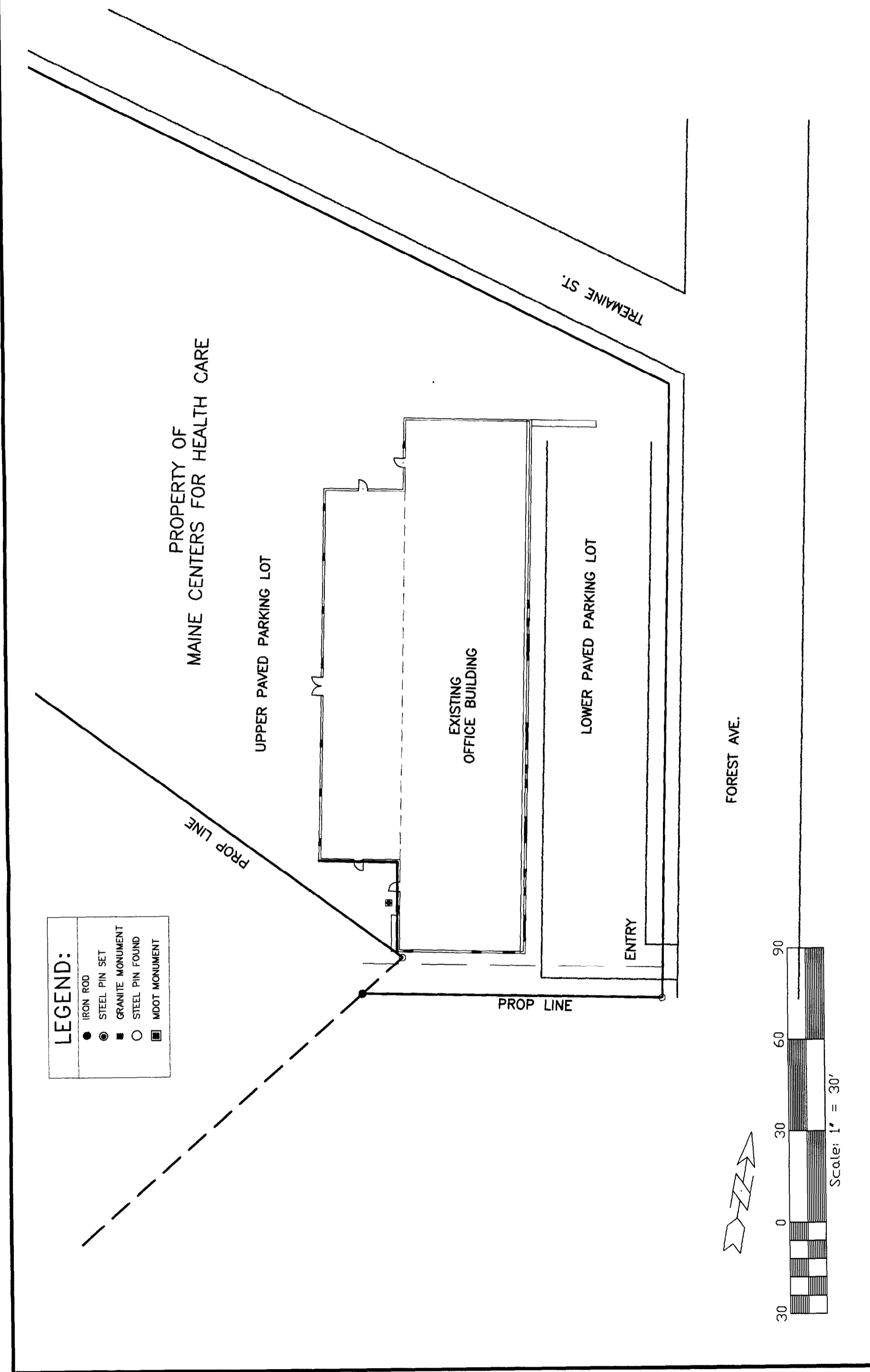


WARNING: THIS DRAWING IS THE PROPERTY AND INSTRUMENT OF SHERIDAN CORPORATION. ANY MODIFICATION, CHANGE OR USE OF THIS DRAWING WITHOUT THE EXPRESS WRITTEN PERMISSION OF SHERIDAN CORPORATION IS WRONGFUL AND IS AT THE USER'S RISK. SHERIDAN DISCLAIMS ANY AND ALL LIABILITY FOR SUCH USE.

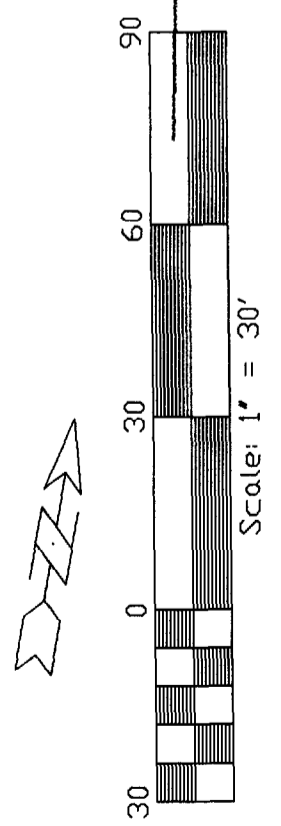


WARNING: THIS DRAWING IS THE PROPERTY AND INSTRUMENT OF SHERIDAN CORPORATION FOR USE WITH THE EXPRESS WRITTEN PERMISSION OF SHERIDAN CORPORATION. ANY MODIFICATION, CHANGE OR USE OF THIS DRAWING WITHOUT THE EXPRESS WRITTEN PERMISSION OF SHERIDAN CORPORATION IS WRONGFUL AND IS AT THE USER'S RISK. SHERIDAN DISCLAIMS ANY AND ALL LIABILITY FOR SUCH USE.



LEGEND:

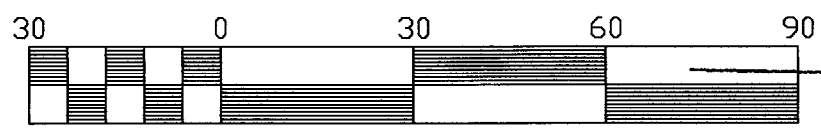
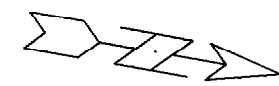
●	IRON ROD
⊙	STEEL PIN SET
■	GRANITE MONUMENT
○	STEEL PIN FOUND
□	MDOT MONUMENT



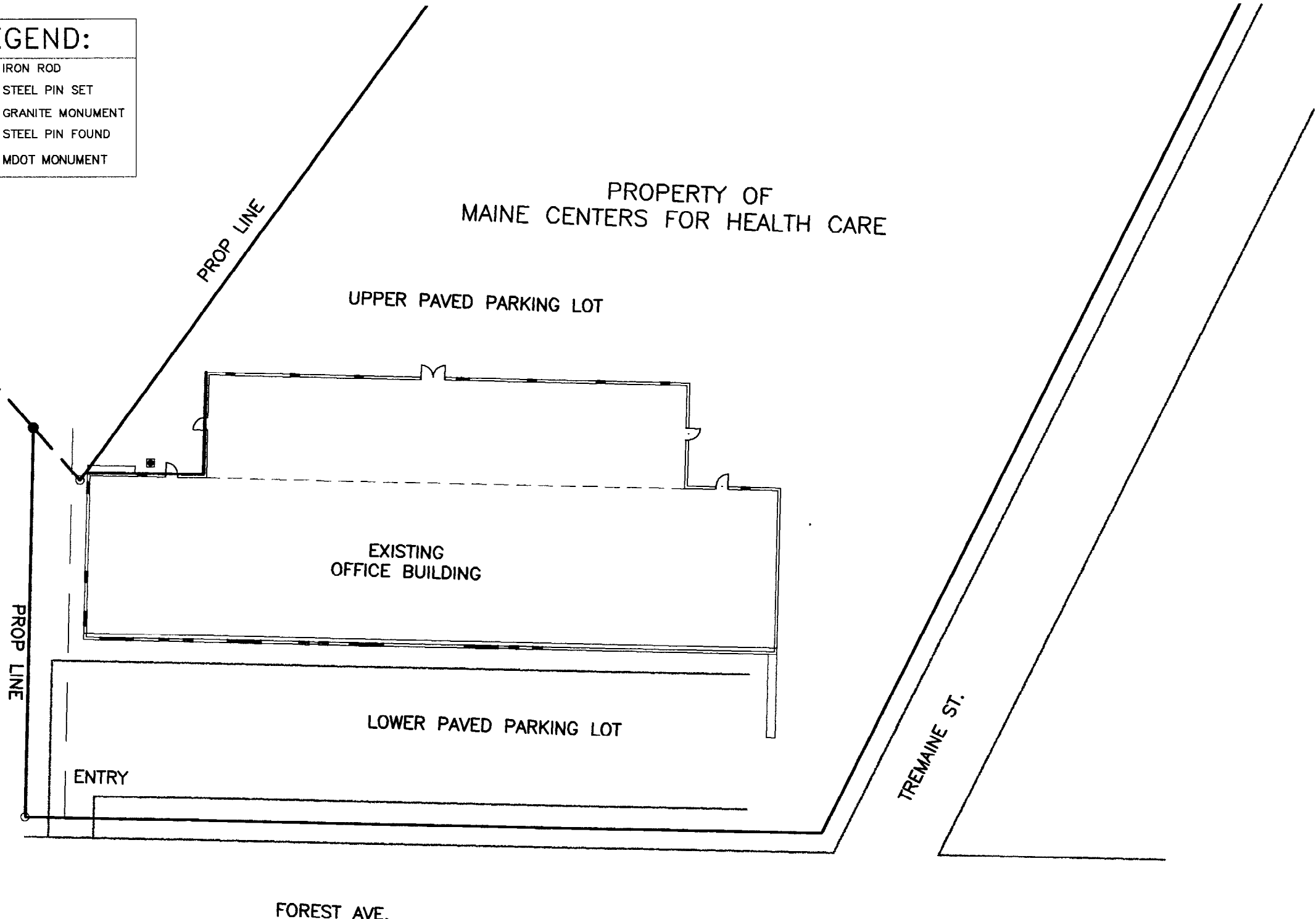
N:\P\003\980 forest ave 3 0 04\site plan.mxd, 03/18/2007 09:51:11 AM, 1:1

LEGEND:

- IRON ROD
- ⊙ STEEL PIN SET
- GRANITE MONUMENT
- STEEL PIN FOUND
- ▣ MDOT MONUMENT



Scale: 1" = 30'



WARNING: THIS DRAWING IS THE PROPERTY AND INSTRUMENT OF SHERIDAN CORPORATION FOR USE WITH THE PROJECT IDENTIFIED BELOW. NO MODIFICATIONS OR CHANGES MAY BE MADE TO THIS DRAWING AND NO USE MAY BE MADE OF THIS DRAWING WITHOUT THE EXPRESS WRITTEN PERMISSION OF SHERIDAN CORPORATION. ANY MODIFICATION, CHANGE OR USE OF THIS DRAWING WITHOUT THE EXPRESS WRITTEN PERMISSION OF SHERIDAN CORPORATION IS WRONGFUL AND IS AT THE USER'S RISK. SHERIDAN DISCLAIMS ANY AND ALL LIABILITY FOR SUCH USE.

JOB NO. MC31051	ENGINEERING DWG. NO. SD-1	Engineering Design For Maine Centers for Health Care 2 Chabot St. Westbrook, Maine	The Site Plan Office Building for MCHC 980 Forest Ave., Portland, ME	REVISIONS	APPROVED BY ds	DRAWN BY lsl
					SCALE as noted	DATE 3-18-04
						TYPE

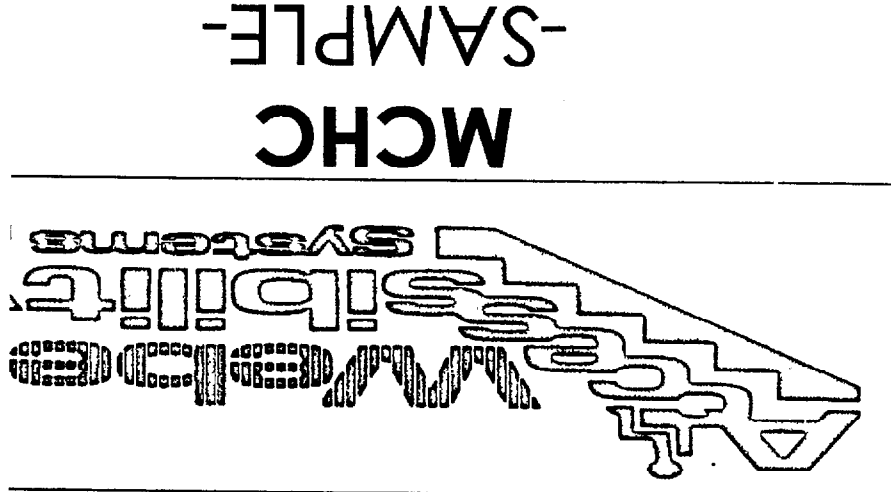
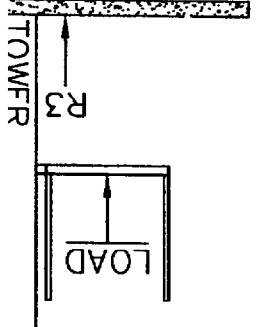




MODEL: HANDLIFT S-36
 STOPS: 2 (OPPOSITE OPENING TRAVEL: <math>< 36'' @ 9 \text{ fpm}</math>
 WEIGHT: APPROXIMATELY 400 LBS. NET
 POWER SUPPLY: 115 VOLT, 60 HZ, 20 AMPS, SINGLE PHASE
 MOTOR: 1 HP, 115 VOLT, SINGLE PHASE
 BRAKE SHOE TYPE: 115 VOLT, SPRING SET, ELECTRICALLY RELEASE
 CONTROL VOLTAGE: 24 VOLT TRANSFORMER IN CONTROLLER FC
 CONTROL CIRCUITS, SAFETY CIRCUITS, CAL STATIONS, PLATFORM CONTROLS, DOOR CONTACTS AND SOLENOIDS.
 LIMIT SWITCHES: NORMAL 24 VOLT YES NO ITEM

YES	NO	ITEM
<input checked="" type="checkbox"/>	<input type="checkbox"/>	PLATFORM BACK PANEL
<input checked="" type="checkbox"/>	<input type="checkbox"/>	PLATFORM GRAB BAR
<input checked="" type="checkbox"/>	<input type="checkbox"/>	UNDER PLATFORM SAFETY PANEL
<input checked="" type="checkbox"/>	<input type="checkbox"/>	PLATFORM KEY LOCK UP/DOWN SWITCH
<input checked="" type="checkbox"/>	<input type="checkbox"/>	PLATFORM EMERGENCY STOP SWITCH
<input checked="" type="checkbox"/>	<input type="checkbox"/>	PLATFORM EMERGENCY ALARM SWITCH
<input checked="" type="checkbox"/>	<input type="checkbox"/>	PLATFORM AUTOMATIC RAMP
<input checked="" type="checkbox"/>	<input type="checkbox"/>	PLATFORM GATE WITH LOCK AND CONTACT
<input checked="" type="checkbox"/>	<input type="checkbox"/>	TOP LANDING GATE W/LOCK-CONTACT & KEY CALLS
<input checked="" type="checkbox"/>	<input type="checkbox"/>	LOWER LANDING GATE W/LOCK-CONTACT & KEY CALLS
<input checked="" type="checkbox"/>	<input type="checkbox"/>	MANUAL LOWERING DEVICE
<input checked="" type="checkbox"/>	<input type="checkbox"/>	REMOTE CALL/SEND STATION FOR AUTO-OPENING GATE
<input checked="" type="checkbox"/>	<input type="checkbox"/>	HALL CALL STATION W/KEYED LOCK
<input checked="" type="checkbox"/>	<input type="checkbox"/>	HALL STATION MOUNTED IN DOOR IN DOOR/GATE FRAME
<input checked="" type="checkbox"/>	<input type="checkbox"/>	HALL STATION WALL BOX-FLUSH MOUNTING
<input checked="" type="checkbox"/>	<input type="checkbox"/>	ELECTRIC STRIKE LOCK-USED WHEN DOORS BY OTHERS
<input checked="" type="checkbox"/>	<input type="checkbox"/>	COMMUNICATING LOCK-USED WHEN DOORS BY OTHERS
<input checked="" type="checkbox"/>	<input type="checkbox"/>	COLOR OF METAL TOWER FRAME, PLATFORM ENCLOSURE
<input checked="" type="checkbox"/>	<input type="checkbox"/>	WHITE ARCH. PLATFORM AND LANDING GATES.
<input checked="" type="checkbox"/>	<input type="checkbox"/>	ARCH. COLOR OF METAL PANELS IN TOWER, PLATFORM ENCLOSURE
<input checked="" type="checkbox"/>	<input type="checkbox"/>	WHITE ARCH. PLATFORM AND LANDING GATES.
<input checked="" type="checkbox"/>	<input type="checkbox"/>	N/A ARCH. PLATFORM AND LANDING GATES.
<input checked="" type="checkbox"/>	<input type="checkbox"/>	PLATFORM BATTERY BACK-UP LIGHTING
<input checked="" type="checkbox"/>	<input type="checkbox"/>	EMERGENCY BATTERY POWER SUPPLY
		REVISION
		DATE

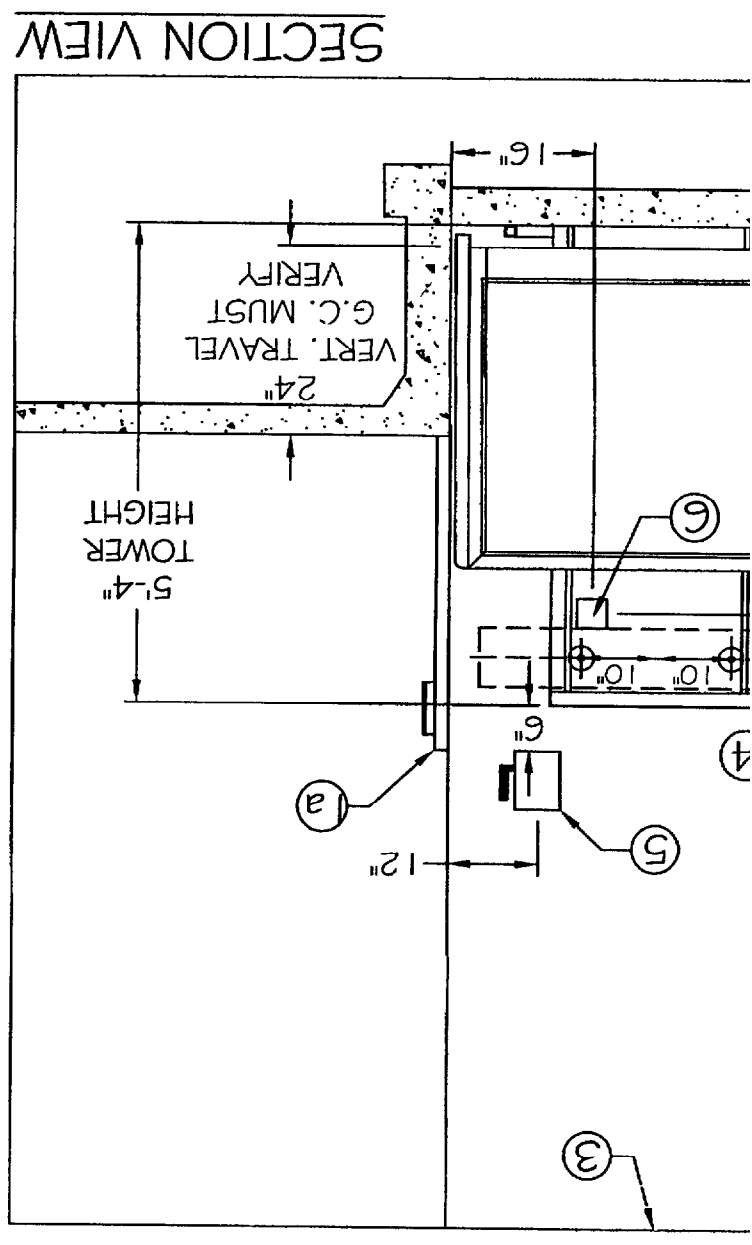
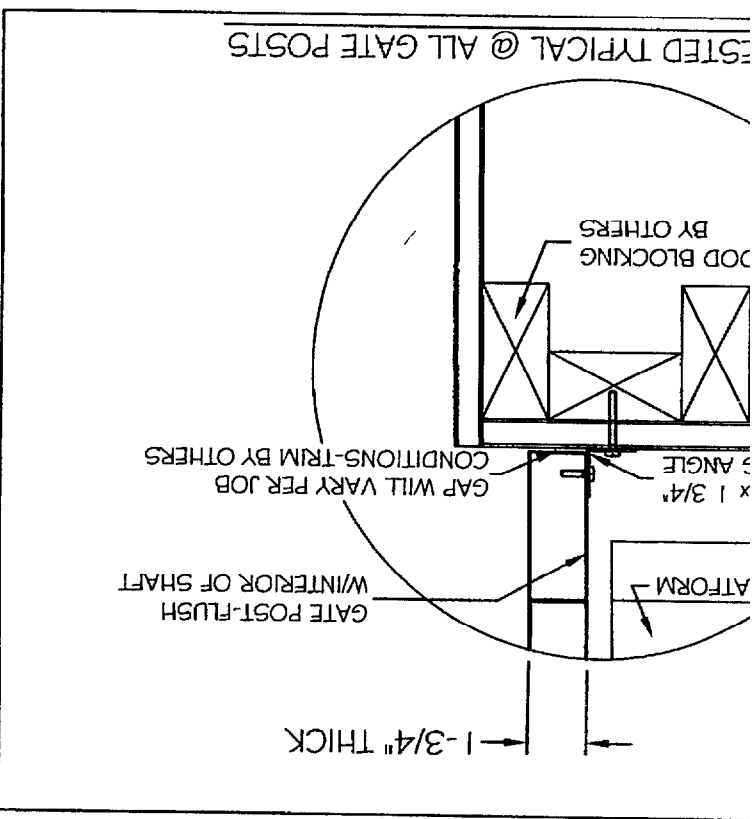
WALL LOADING	FLOOR LOADING
R2 = 840 lbf (@ ANY BRACKET LOCATION)	R3 = FLOOR TO SUPPORT LOAD OF: 3000lbf* *(INCLUDES IMPACT)



DRAWING DATE: 03/22/04
 SCALE: N/A
 DRAWING #: JIM BR/

APPROVED BY: [Signature]
 APPROVAL DATE: 1/13/05

DEPT. OF BUILDING INSPECTION
 CITY OF PORTLAND, ME
 RECEIVED
 MAR 24 2004



Notes: Furnish and install custom height landing gate assembly w/bronze plexi-glass insert and electro-mechanical lock. By Others: Verify vertical travel distance for gate height. Provide blocking as per detail.

Others: Furnish and install 42 1/4" high landing gate assembly w/steel insert and electro-mechanical lock. By Others: Provide blocking as per detail.

Others: Design and Construction by Others. To be PLUMB AND SQUARE, WITH PROPER CONDITIONS, due to close running clearances. Walls, including doors and frames, are to be continuous surface. Floor is to be absolutely level and smooth.

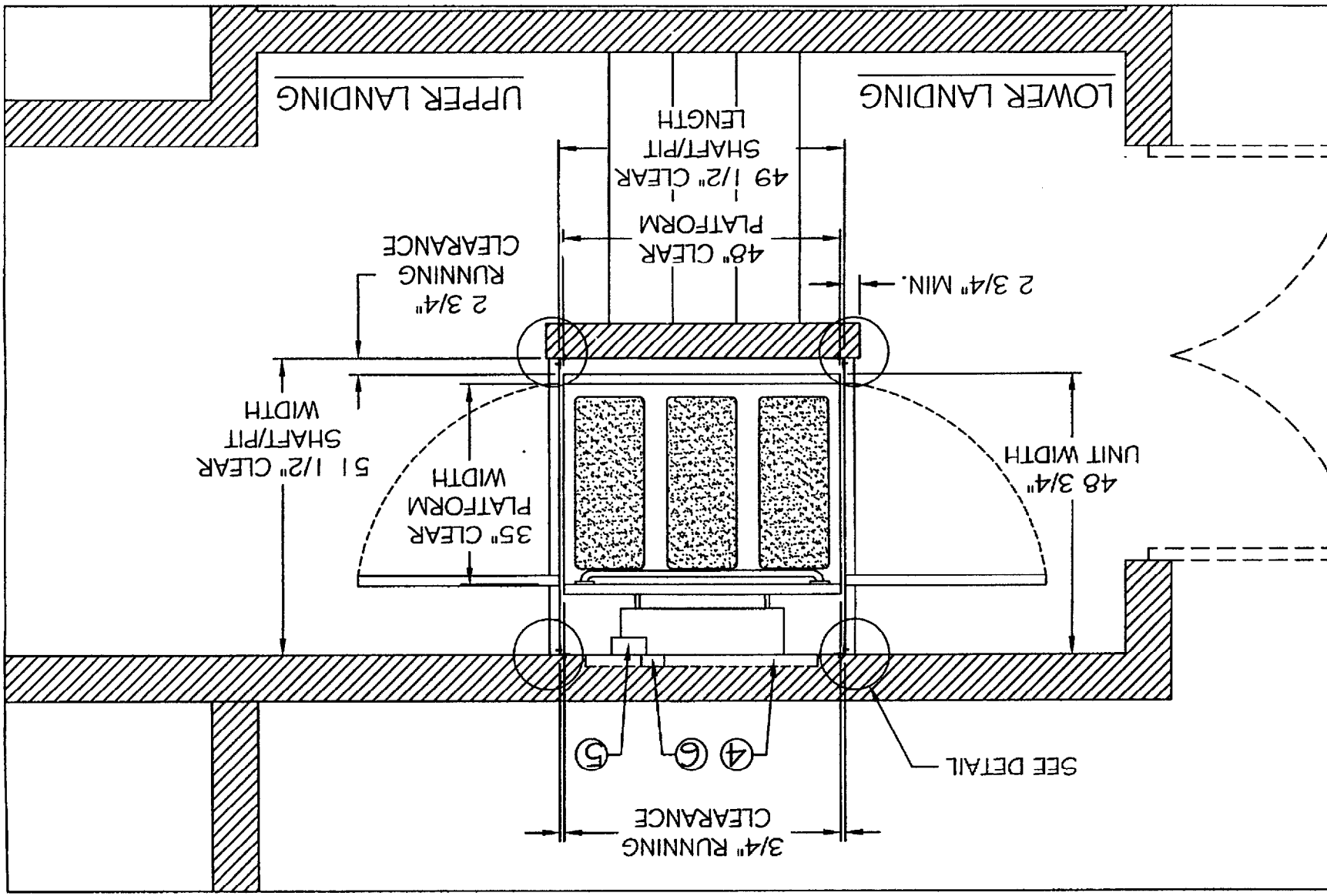
Others: Provide shaftway light. Minimum illumination at platform is to be 5 footcandles (lux). Code-compliant, emergency back-up platform lighting is to be provided by others (2 ftc (2.2lux)).

Others: Provide 2" x 8" wood blocking (scrap wood is not acceptable) in wall behind lift car at locations indicated on drawing for the lift tower to be bolted to. If lift tower support is of solid concrete, or of concrete block w/poured-cell construction, wood blocking is not required.

Others: Provide a fused-lockable disconnect switch wired in series to a 4" x 4" recessed metal box (6). Wiring to include (3) #12 stranded-wire conductors, leaving 3' of each conductor extended from the 4"x4" box. Wiring/conductors should be placed in conduit. Electrical Service by Others: Provide a 120 volt, 20 amp, single phase, 60 hertz grounded separate circuit. Circuit is to be accessible at a recessed 4"x4" metal box mounted exactly as indicated on shop drawings. No splices are permitted.

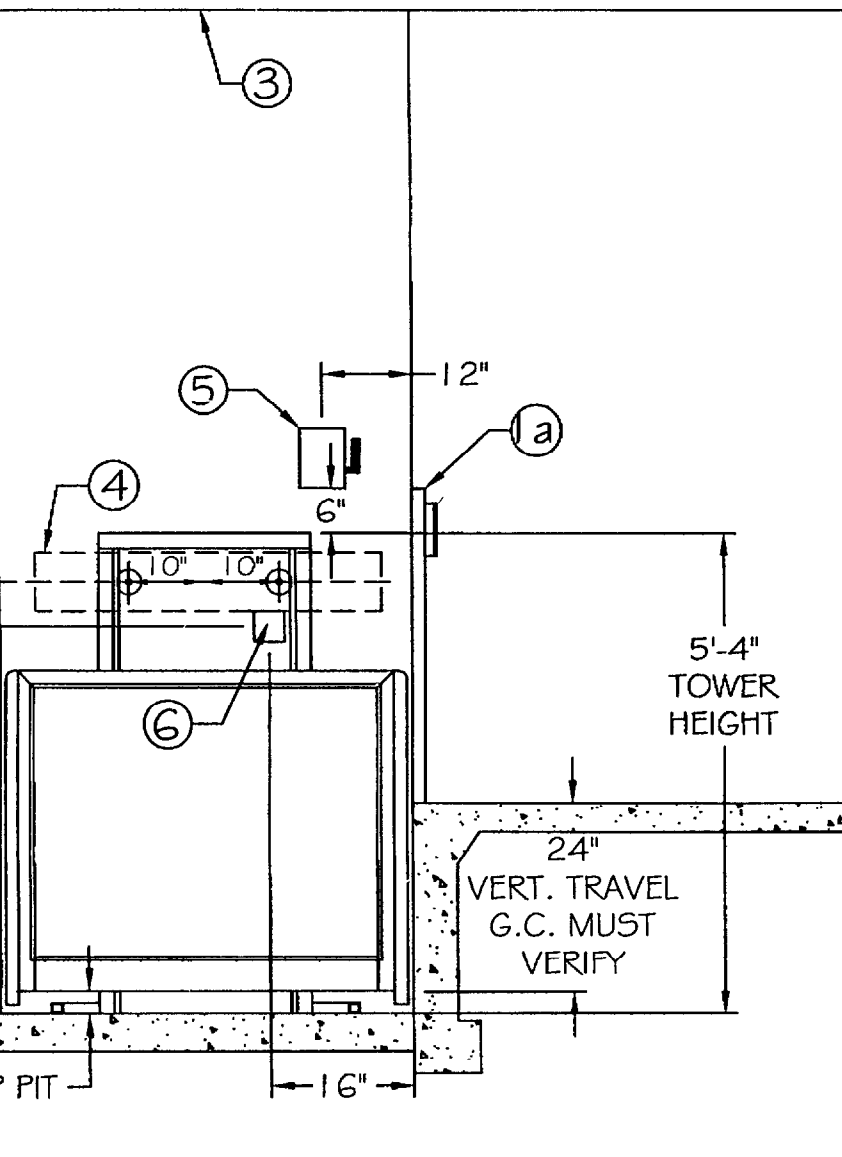
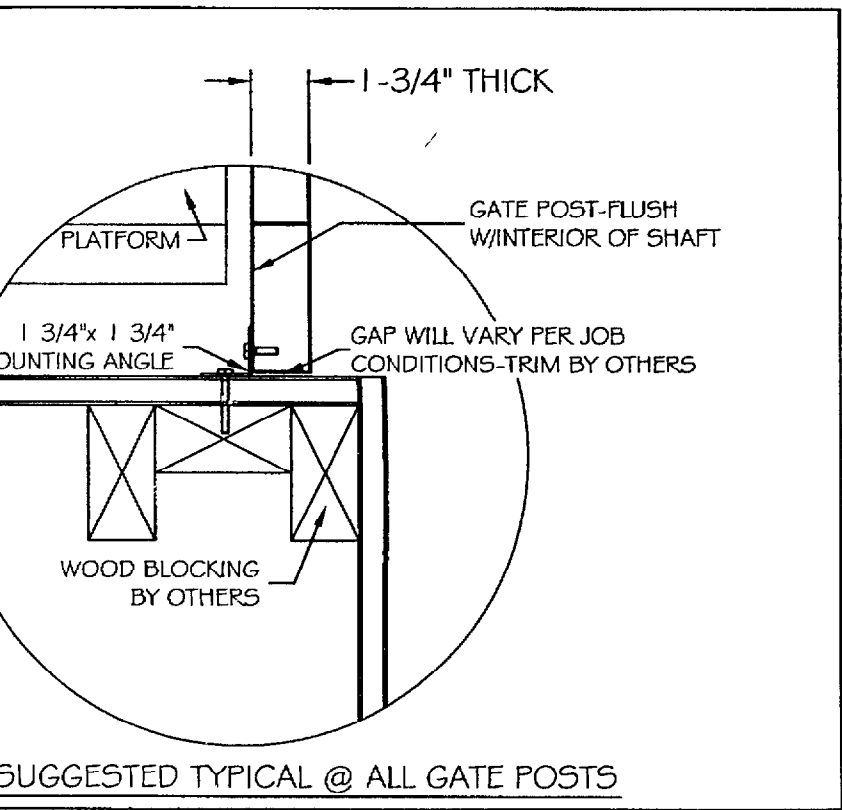
The rail tower is one piece, which is 76"H x 28 1/4"W x 8"D. The tower weighs approximately 500 lbs. Allow enough room to get tower into the building and to the installation site.

Shaftway. Conduit, wiring, or piping, other than that which pertains to the lift equipment, is permitted in shaftway.



PLAN VIEW





CONCORI

MODEL: HANDILIFT S-36
 RATING: 750 LBS.
 WEIGHT: APPROXIMATELY 400 LBS. NET
 POWER SUPPLY: 115 VOLT, 60 HZ, 20 AMPS, SINGLE PHASE
 MOTOR: 1 HP, 115 VOLT, SINGLE PHASE
 BRAKE SHOE TYPE: 115 VOLT, SPRING SET, ELECTRICALLY RELEASED
 CONTROL VOLTAGE: 24 VOLT TRANSFORMER IN CONTROLLER FOR CONTROL CIRCUITS, SAFETY CIRCUITS, CALL STATIONS, PLATFORM CONTROLS, DOOR CONTACTS AND SOLENOIDS.

LIMIT SWITCHES: NORMAL 24 VOLT

YES	NO	ITEM
	<input checked="" type="checkbox"/>	PLATFORM BACK PANEL
	<input checked="" type="checkbox"/>	PLATFORM GRAB BAR
	<input checked="" type="checkbox"/>	UNDER PLATFORM SAFETY PANEL
	<input checked="" type="checkbox"/>	PLATFORM KEY LOCK UP/DOWN SWITCH
	<input checked="" type="checkbox"/>	PLATFORM EMERGENCY STOP SWITCH
	<input checked="" type="checkbox"/>	PLATFORM EMERGENCY ALARM SWITCH
	<input checked="" type="checkbox"/>	PLATFORM AUTOMATIC RAMP
	<input checked="" type="checkbox"/>	PLATFORM GATE WITH LOCK AND CONTACT
	<input checked="" type="checkbox"/>	TOP LANDING GATE W/LOCK-CONTACT & KEY CALL STATION
	<input checked="" type="checkbox"/>	LOWER LANDING GATE W/LOCK-CONTACT & KEY CALL STATION
	<input checked="" type="checkbox"/>	MANUAL LOWERING DEVICE
	<input checked="" type="checkbox"/>	REMOTE CALL/SEND STATION FOR AUTO-OPENING GATE
	<input checked="" type="checkbox"/>	HALL CALL STATION W/KEYED LOCK
	<input checked="" type="checkbox"/>	HALL STATION MOUNTED IN DOOR IN DOOR/GATE FRAME
	<input checked="" type="checkbox"/>	HALL STATION WALL BOX-FLUSH MOUNTING
	<input checked="" type="checkbox"/>	ELECTRIC STRIKE LOCK-USED WHEN DOORS BY OTHERS
	<input checked="" type="checkbox"/>	COMMUNICATING LOCK-USED WHEN DOORS BY OTHERS
ARCH. WHITE		COLOR OF METAL TOWER FRAME, PLATFORM ENCLOSURE AND LANDING GATES.
ARCH. WHITE		COLOR OF METAL PANELS IN TOWER, PLATFORM ENCLOSURE AND LANDING GATES.
N/A		
	<input checked="" type="checkbox"/>	PLATFORM BATTERY BACK-UP LIGHTING
	<input checked="" type="checkbox"/>	EMERGENCY BATTERY POWER SUPPLY

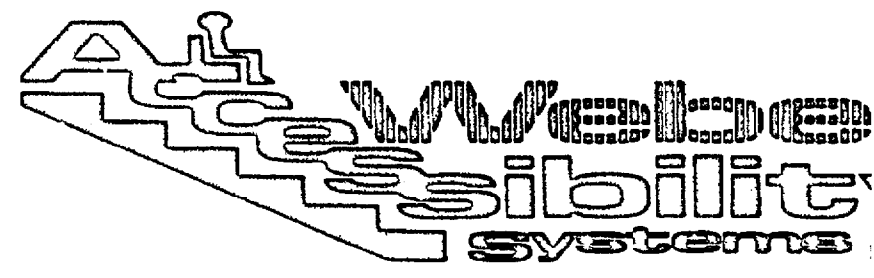
DATE	REVISION

WALL LOADING

R2 = 840 lbf
 (@ ANY BRACKET LOCATION)

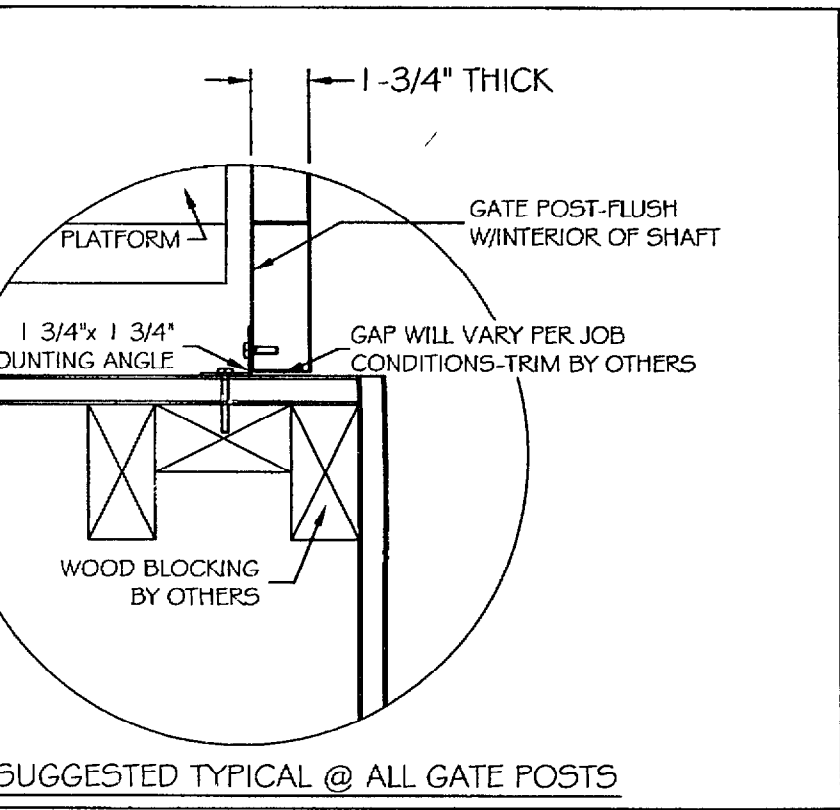
FLOOR LOADING

R3 = FLOOR TO SUPPORT
 LOAD OF: 3000lbf*
 *(INCLUDES IMPACT)



**MCHC
-SAMPLE-**

DRAWING DATE: 03/22/04	SCALE: N/A	DRAWING #:	DRAWN BY: JIM BR
APPROVED BY:		APPROVAL DATE:	



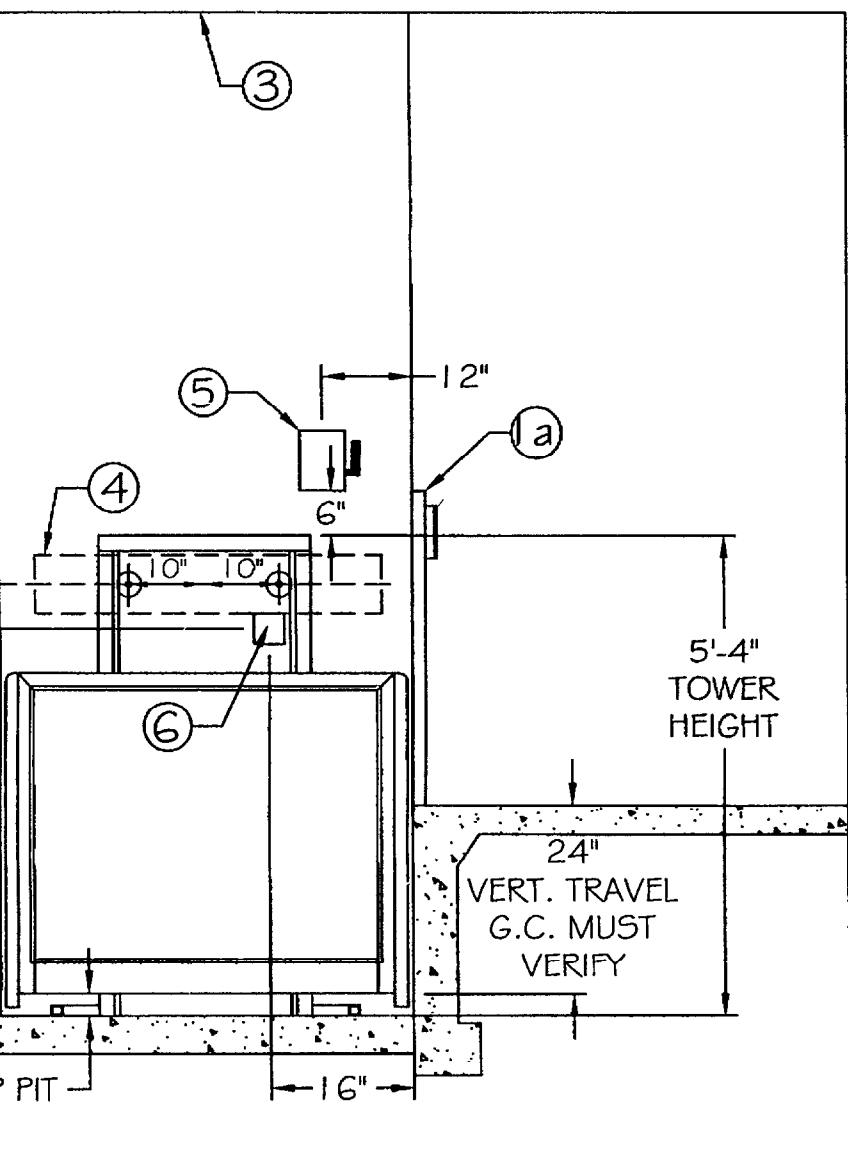
CONCORI

MODEL: HANDILIFT S-36 STOPS: 2 (OPPOSITE OPENING)
 RATING: 750 LBS. TRAVEL: <36" @ 9 fpm
 WEIGHT: APPROXIMATELY 400 LBS. NET
 POWER SUPPLY: 115 VOLT, 60 HZ, 20 AMPS, SINGLE PHASE
 MOTOR: 1 HP, 115 VOLT, SINGLE PHASE
 BRAKE SHOE TYPE: 115 VOLT, SPRING SET, ELECTRICALLY RELEASED
 CONTROL VOLTAGE: 24 VOLT TRANSFORMER IN CONTROLLER FOR CONTROL CIRCUITS, SAFETY CIRCUITS, CALL STATIONS, PLATFORM CONTROLS, DOOR CONTACTS AND SOLENOIDS.

LIMIT SWITCHES: NORMAL 24 VOLT

YES	NO	ITEM
	<input checked="" type="checkbox"/>	PLATFORM BACK PANEL
	<input checked="" type="checkbox"/>	PLATFORM GRAB BAR
	<input checked="" type="checkbox"/>	UNDER PLATFORM SAFETY PANEL
	<input checked="" type="checkbox"/>	PLATFORM KEY LOCK UP/DOWN SWITCH
	<input checked="" type="checkbox"/>	PLATFORM EMERGENCY STOP SWITCH
	<input checked="" type="checkbox"/>	PLATFORM EMERGENCY ALARM SWITCH
	<input checked="" type="checkbox"/>	PLATFORM AUTOMATIC RAMP
	<input checked="" type="checkbox"/>	PLATFORM GATE WITH LOCK AND CONTACT
	<input checked="" type="checkbox"/>	TOP LANDING GATE W/LOCK-CONTACT & KEY CALL S
	<input checked="" type="checkbox"/>	LOWER LANDING GATE W/LOCK-CONTACT & KEY CAL
	<input checked="" type="checkbox"/>	MANUAL LOWERING DEVICE
	<input checked="" type="checkbox"/>	REMOTE CALL/SEND STATION FOR AUTO-OPENING GA
	<input checked="" type="checkbox"/>	HALL CALL STATION W/KEYED LOCK
	<input checked="" type="checkbox"/>	HALL STATION MOUNTED IN DOOR IN DOOR/GATE FR
	<input checked="" type="checkbox"/>	HALL STATION WALL BOX-FLUSH MOUNTING
	<input checked="" type="checkbox"/>	ELECTRIC STRIKE LOCK-USED WHEN DOORS BY OTHERS
	<input checked="" type="checkbox"/>	COMMUNICATING LOCK-USED WHEN DOORS BY OTHI
ARCH.		COLOR OF METAL TOWER FRAME, PLATFORM ENCLOS
WHITE		PLATFORM AND LANDING GATES.
ARCH.		COLOR OF METAL PANELS IN TOWER, PLATFORM ENC
WHITE		PLATFORM AND LANDING GATES.
N/A		
	<input checked="" type="checkbox"/>	PLATFORM BATTERY BACK-UP LIGHTING
	<input checked="" type="checkbox"/>	EMERGENCY BATTERY POWER SUPPLY

DATE	REVISION



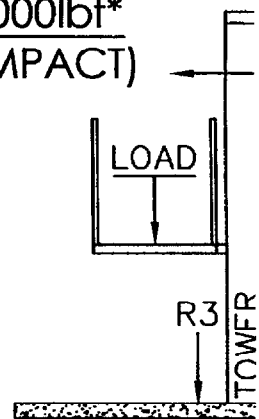
SECTION VIEW

WALL LOADING

R2 = 840 lbf
 (@ ANY BRACKET LOCATION)

FLOOR LOADING

R3 = FLOOR TO SUPPORT
 LOAD OF: 3000lbf*
 *(INCLUDES IMPACT)



MCHC
-SAMPLE-

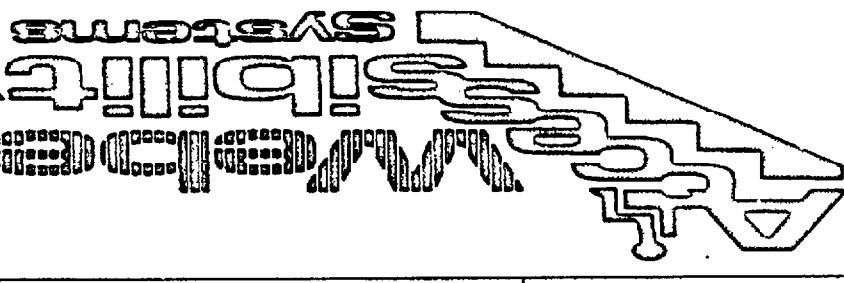
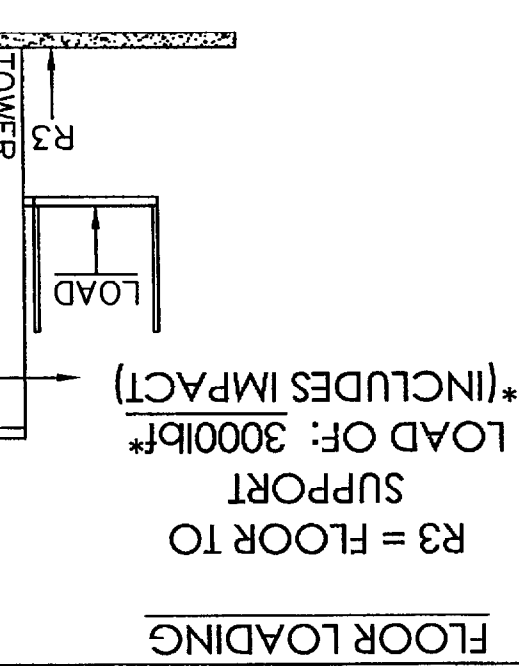
DRAWING DATE:	SCALE:	DRAWING #:	DRAWN BY:
03/22/04	N/A		JIM BR

APPROVED BY:	APPROVAL DATE:



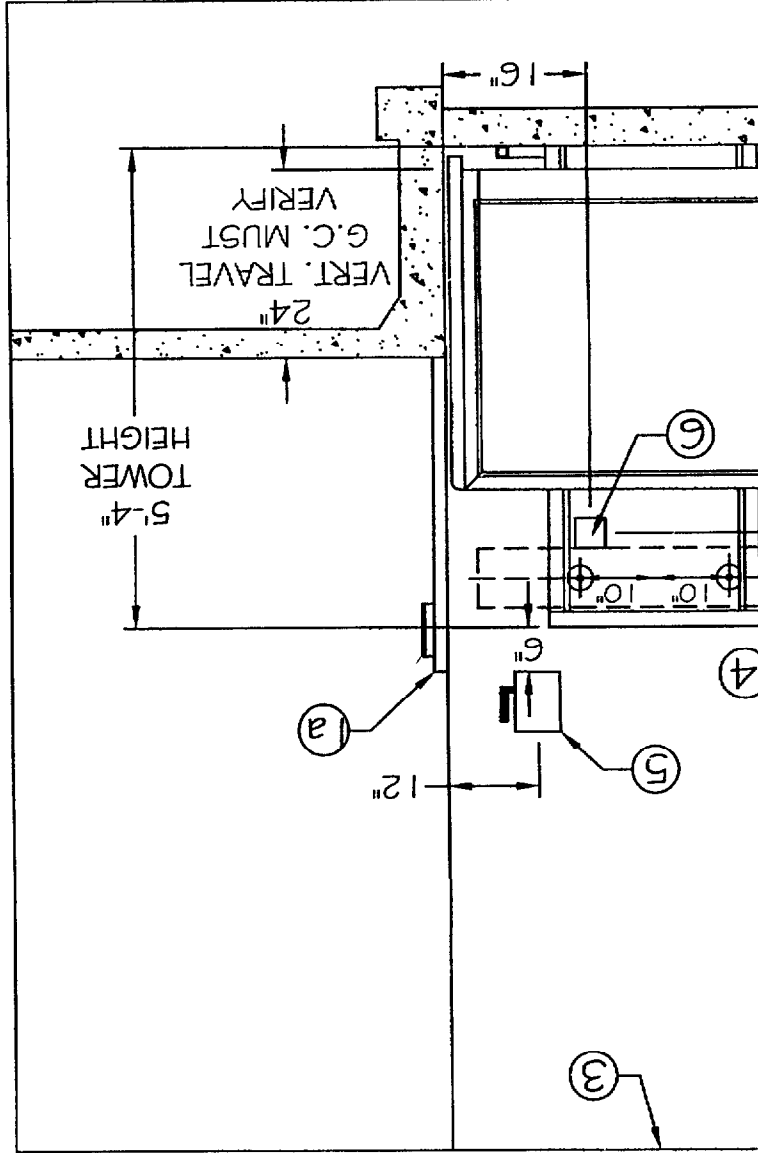
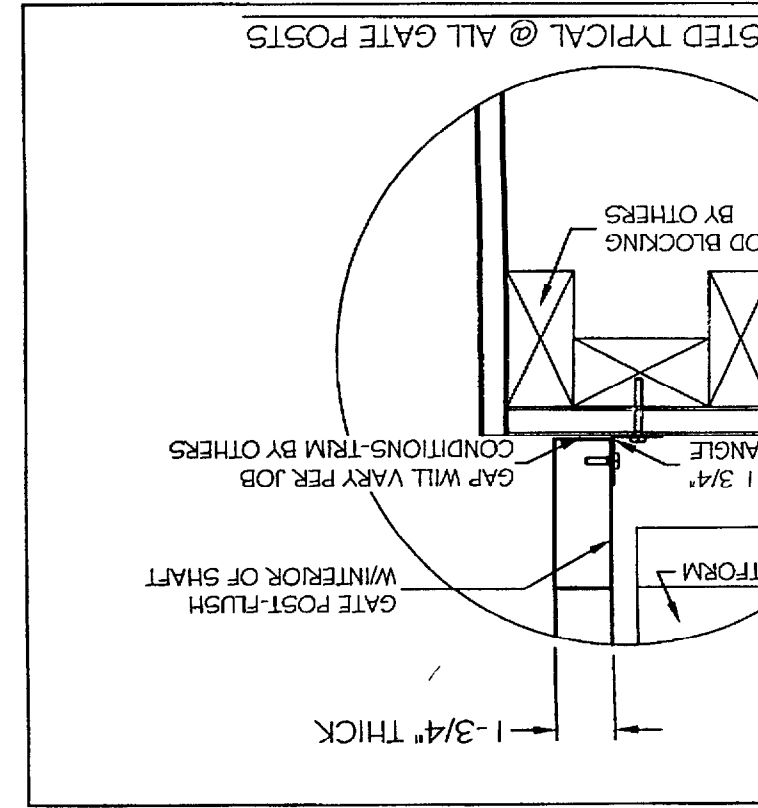
MODEL: HANDLIFT S-36
 STOPS: 2 (OPPOSITE OPENING)
 RATING: 750 LBS.
 TRAVEL: <36" @ 9 fpm
 WEIGHT: APPROXIMATELY 400 LBS. NET
 POWER SUPPLY: 115 VOLT, 60 HZ, 20 AMPS, SINGLE PHASE
 MOTOR: 1 HP, 115 VOLT, SINGLE PHASE
 BRAKE SHOE TYPE: 115 VOLT, SPRING SET, ELECTRICALLY RELEASED
 CONTROL VOLTAGE: 24 VOLT TRANSFORMER IN CONTROLLER FC
 CONTROL CIRCUITS, SAFETY CIRCUITS, CAL
 STATIONS, PLATFORM CONTROLS, DOOR
 CONTACTS AND SOLENOIDS.
 LIMIT SWITCHES: NORMAL 24 VOLT

YES	NO	ITEM
		PLATFORM BACK PANEL
		PLATFORM GRAB BAR
		UNDER PLATFORM SAFETY PANEL
		PLATFORM KEY LOCK UP/DOWN SWITCH
		PLATFORM EMERGENCY STOP SWITCH
		PLATFORM EMERGENCY ALARM SWITCH
		PLATFORM AUTOMATIC RAMP
		PLATFORM GATE WITH LOCK AND CONTACT
		TOP LANDING GATE W/LOCK-CONTACT & KEY CALLS
		LOWER LANDING GATE W/LOCK-CONTACT & KEY CALLS
		MANUAL LOWERING DEVICE
		REMOTE CALL/SEND STATION FOR AUTO-OPENING GATE
		HALL CALL STATION W/KEYED LOCK
		HALL STATION MOUNTED IN DOOR IN DOOR/GATE FRAME
		HALL STATION WALL BOX-FLUSH MOUNTING
		ELECTRIC STRIKE LOCK-USED WHEN DOORS BY OTHERS
		COMMUNICATING LOCK-USED WHEN DOORS BY OTHERS
		ARCH. COLOR OF METAL TOWER FRAME, PLATFORM ENCLOSURE AND LANDING GATES.
		ARCH. WHITE COLOR OF METAL PANELS IN TOWER, PLATFORM ENCLOSURE AND LANDING GATES.
		ARCH. WHITE COLOR OF METAL TOWER PANELS IN TOWER, PLATFORM ENCLOSURE AND LANDING GATES.
		ARCH. WHITE COLOR OF METAL TOWER FRAME, PLATFORM ENCLOSURE AND LANDING GATES.
		EMERGENCY BATTERY BACK-UP LIGHTING
		EMERGENCY BATTERY POWER SUPPLY
		REVISION
		DATE



MCHC
 -SAMPLE-

DRAWING DATE: 03/22/04
 SCALE: N/A
 DRAWING #: JIM BR/
 APPROVED BY:
 APPROVAL DATE:



CONCORR

MODEL: HANDILIFT S-36 STOPS: 2 (OPPOSITE OPENING)
 RATING: 750 LBS. TRAVEL: <36" @ 9 fpm
 WEIGHT: APPROXIMATELY 400 LBS. NET
 POWER SUPPLY: 115 VOLT, 60 HZ, 20 AMPS, SINGLE PHASE
 MOTOR: 1 HP, 115 VOLT, SINGLE PHASE
 BRAKE SHOE TYPE: 115 VOLT, SPRING SET, ELECTRICALLY RELEASED
 CONTROL VOLTAGE: 24 VOLT TRANSFORMER IN CONTROLLER FOR
 CONTROL CIRCUITS, SAFETY CIRCUITS, CALL STATIONS, PLATFORM CONTROLS, DOOR CONTACTS AND SOLENOIDS.

LIMIT SWITCHES: NORMAL 24 VOLT

YES	NO	ITEM
<input checked="" type="checkbox"/>	<input type="checkbox"/>	PLATFORM BACK PANEL
<input checked="" type="checkbox"/>	<input type="checkbox"/>	PLATFORM GRAB BAR
<input checked="" type="checkbox"/>	<input type="checkbox"/>	UNDER PLATFORM SAFETY PANEL
<input checked="" type="checkbox"/>	<input type="checkbox"/>	PLATFORM KEY LOCK UP/DOWN SWITCH
<input checked="" type="checkbox"/>	<input type="checkbox"/>	PLATFORM EMERGENCY STOP SWITCH
<input checked="" type="checkbox"/>	<input type="checkbox"/>	PLATFORM EMERGENCY ALARM SWITCH
<input checked="" type="checkbox"/>	<input type="checkbox"/>	PLATFORM AUTOMATIC RAMP
<input checked="" type="checkbox"/>	<input type="checkbox"/>	PLATFORM GATE WITH LOCK AND CONTACT
<input checked="" type="checkbox"/>	<input type="checkbox"/>	TOP LANDING GATE W/LOCK-CONTACT & KEY CALL S
<input checked="" type="checkbox"/>	<input type="checkbox"/>	LOWER LANDING GATE W/LOCK-CONTACT & KEY CAL
<input checked="" type="checkbox"/>	<input type="checkbox"/>	MANUAL LOWERING DEVICE
<input checked="" type="checkbox"/>	<input type="checkbox"/>	REMOTE CALL/SEND STATION FOR AUTO-OPENING GA
<input checked="" type="checkbox"/>	<input type="checkbox"/>	HALL CALL STATION W/KEYED LOCK
<input checked="" type="checkbox"/>	<input type="checkbox"/>	HALL STATION MOUNTED IN DOOR IN DOOR/GATE FR
<input checked="" type="checkbox"/>	<input type="checkbox"/>	HALL STATION WALL BOX-FLUSH MOUNTING
<input checked="" type="checkbox"/>	<input type="checkbox"/>	ELECTRIC STRIKE LOCK-USED WHEN DOORS BY OTHERS
<input checked="" type="checkbox"/>	<input type="checkbox"/>	COMMUNICATING LOCK-USED WHEN DOORS BY OTHI
ARCH. WHITE	<input type="checkbox"/>	COLOR OF METAL TOWER FRAME, PLATFORM ENCLOS
ARCH. WHITE	<input type="checkbox"/>	PLATFORM AND LANDING GATES.
ARCH. WHITE	<input type="checkbox"/>	COLOR OF METAL PANELS IN TOWER, PLATFORM ENC
N/A	<input type="checkbox"/>	PLATFORM AND LANDING GATES.
<input checked="" type="checkbox"/>	<input type="checkbox"/>	PLATFORM BATTERY BACK-UP LIGHTING
<input checked="" type="checkbox"/>	<input type="checkbox"/>	EMERGENCY BATTERY POWER SUPPLY

DATE

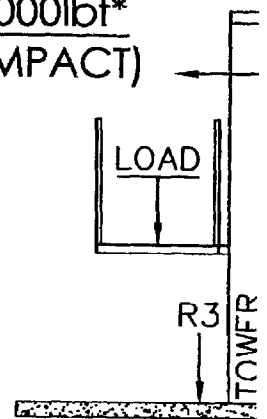
REVISION

WALL LOADING

R2 = 840 lbf
 (@ ANY BRACKET LOCATION)

FLOOR LOADING

R3 = FLOOR TO SUPPORT
 LOAD OF: 3000lbf*
 *(INCLUDES IMPACT)

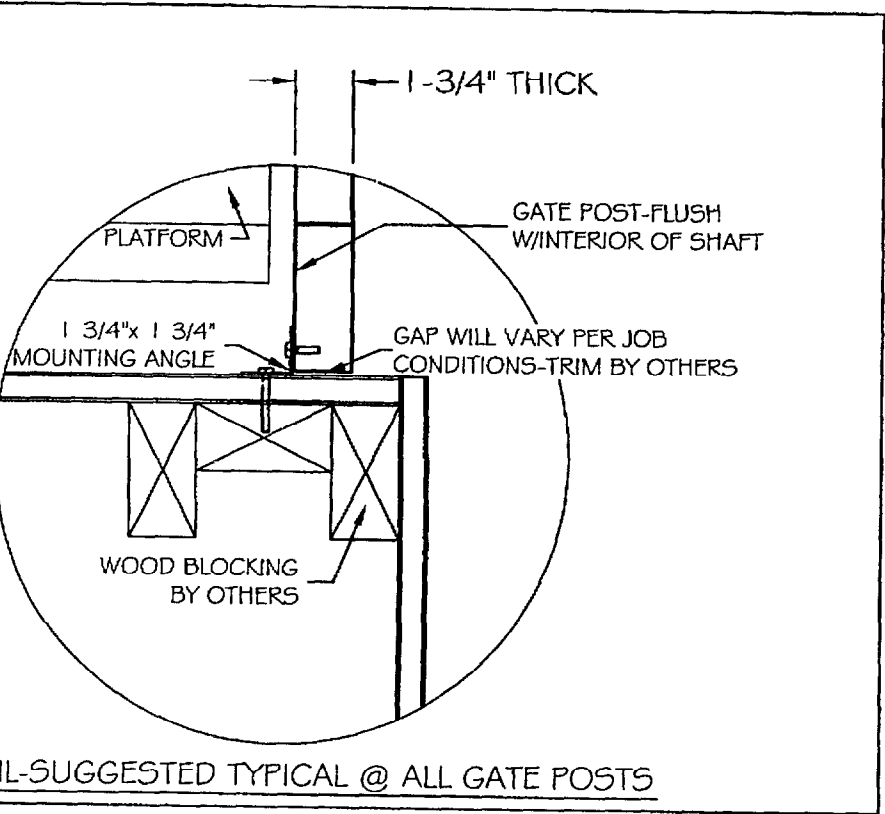


MCHC
-SAMPLE-

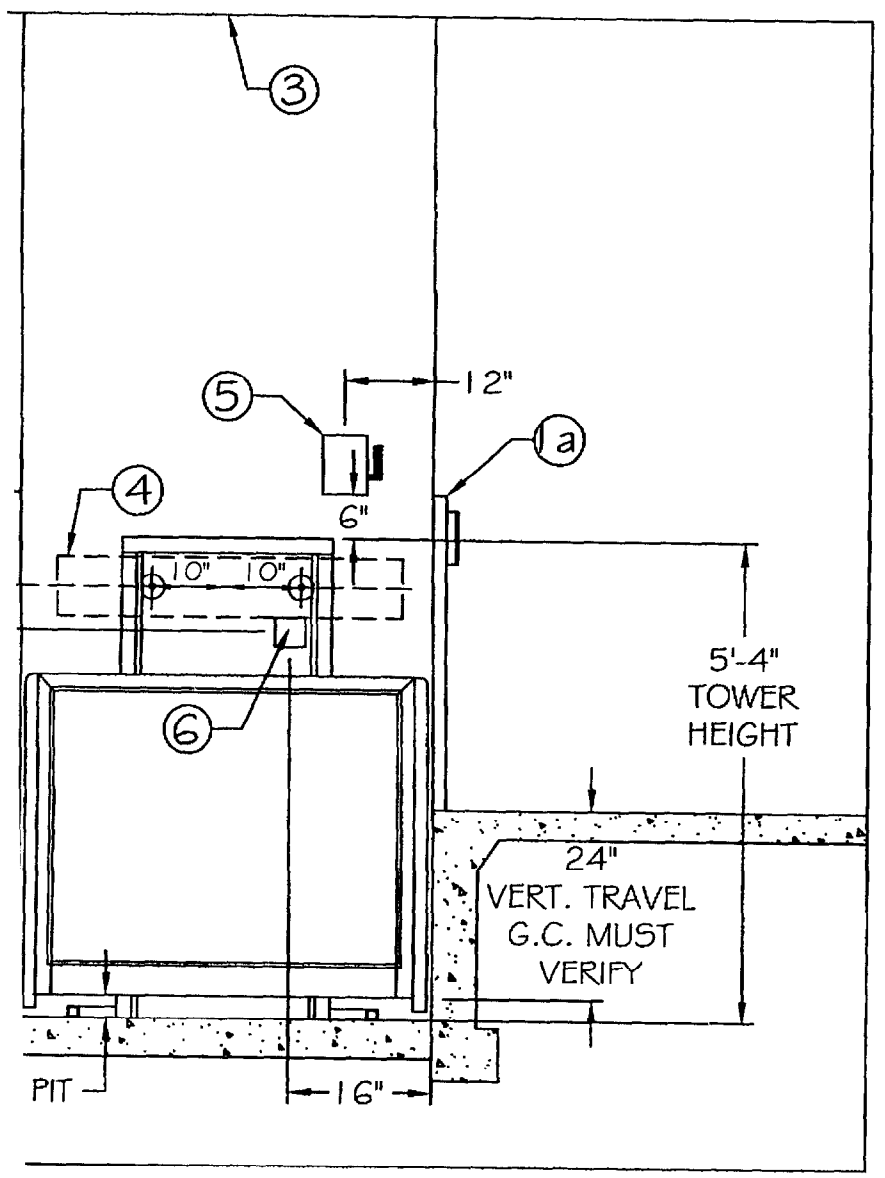
DRAWING DATE: 03/22/04 SCALE: N/A DRAWING #: DRAWN BY: JIM BR/

APPROVED BY:

APPROVAL DATE:



IL-SUGGESTED TYPICAL @ ALL GATE POSTS



SECTION VIEW

GENERAL NOTES:

By Weber: Furnish and install custom height landing gate assembly w/bronze plexi-glass insert and electro-mechanical lock. By Others: Verify vertical travel distance for gate height. Provide blocking as per detail.

By Weber: Furnish and install 42 1/4" high landing gate assembly w/steel insert and electro-mechanical lock. By Others: Provide blocking as per detail.

Shaftway Design and Construction by Others. To be PLUMB AND SQUARE, WITH PROPER DIMENSIONS, due to close running clearances. Walls, including doors and frames, are to be one continuous surface. Floor is to be absolutely level and smooth.

By Others: Provide shaftway light. Minimum illumination at platform is to be 5 footcandles (54 lux). Code-compliant, emergency back-up platform lighting is to be provided by others @ 0.2 ftc (2.2lux).

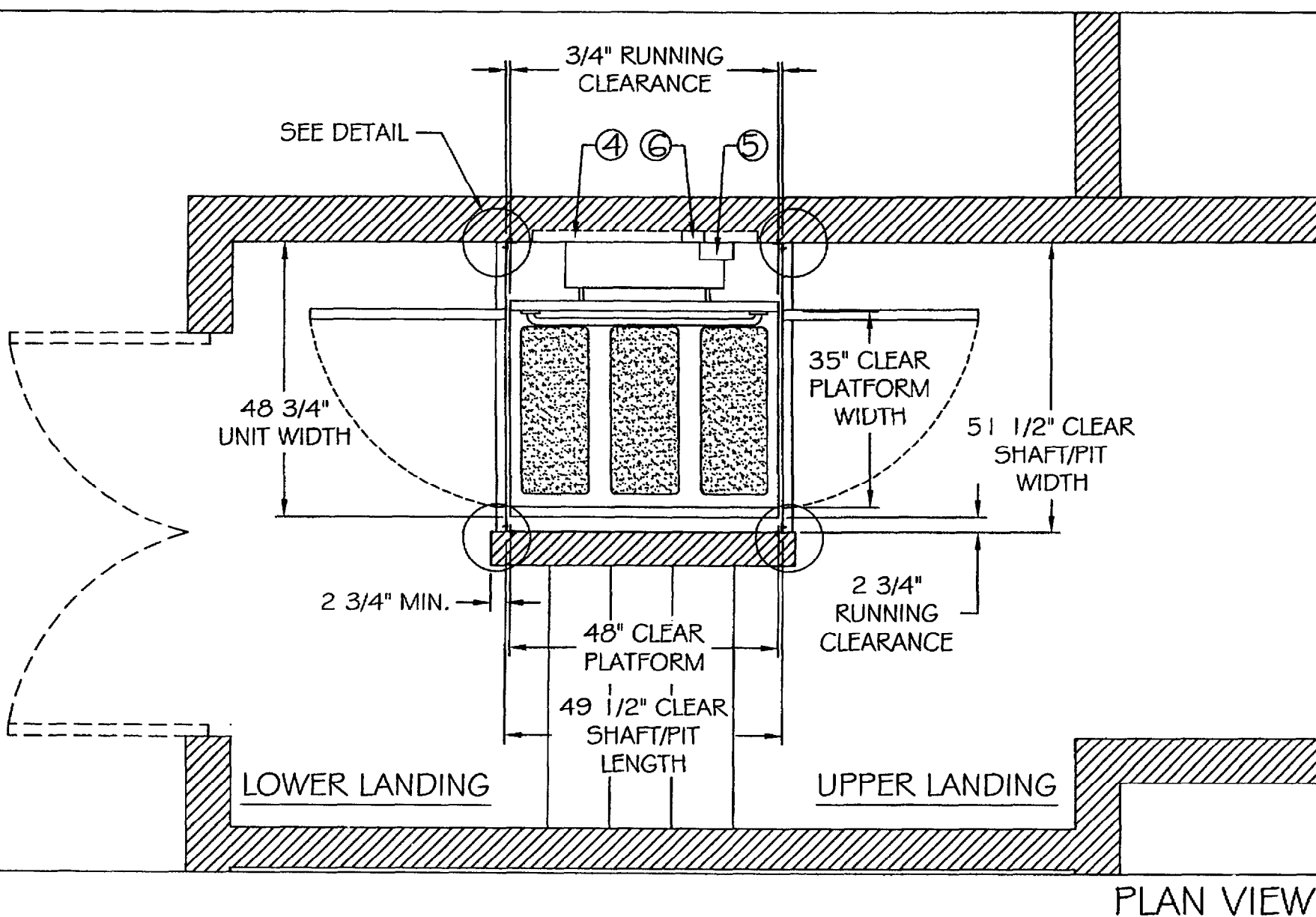
By Others: Provide 2" x 8" wood blocking (scrap wood is not acceptable) in wall behind lift tower at locations indicated on drawing for the lift tower to be bolted to. If lift tower support all is of solid concrete, or of concrete block w/poured-cell construction, wood blocking is not required.

By Others: Provide a fused-lockable disconnect switch wired in series to a 4" x 4" recessed metal box (6). Wiring to include (3) #12 stranded-wire conductors, leaving 3' of each conductor extended from the 4"x4" box. Wiring/conductors should be placed in conduit.

Electrical Service by Others: Provide a 120 volt, 20 amp, single phase, 60 hertz grounded separate circuit. Circuit is to be accessible at a recessed 4"x4" metal box mounted exactly where indicated on shop drawings. No splices are permitted.

Lift rail tower is one piece, which is 76"H x 28 1/4"W x 8"D. The tower weighs approximately 300lbs. Allow enough room to get tower into the building and to the installation site.

No conduit, wiring, or piping, other than that which pertains to the lift equipment, is permitted in the shaftway.



PLAN VIEW

57
BLO
(