

DISPLAY THIS CARD ON PRINCIPAL FRONTAGE OF WORK



CITY OF PORTLAND BUILDING PERMIT

This is to certify that WAYSIDE SOUP KITCHEN

Located At 135 WALTON ST

Job ID: 2012-06-4341-ALTCOMM

CBL: 142-I-001-001

has permission to Install Kitchen Exhaust System

provided that the person or persons, firm or corporation accepting this permit shall comply with all of the provisions of the Statutes of Maine and of the Ordinances of the City of Portland regulating the construction, maintenance and use of the buildings and structures, and of the application on file in the department.

Notification of inspection and written permission procured before this building or part thereof is lathed or otherwise closed-in. 48 HOUR NOTICE IS REQUIRED.

A final inspection must be completed by owner before this building or part thereof is occupied. If a certificate of occupancy is required, it must be

Fire Prevention Officer


Code Enforcement Officer / Plan Reviewer

2/12/12

THIS CARD MUST BE POSTED ON THE STREET SIDE OF THE PROPERTY
PENALTY FOR REMOVING THIS CARD

BUILDING PERMIT INSPECTION PROCEDURES

Please call 874-8703 or 874-8693 (ONLY)

or email: buildinginspections@portlandmaine.gov

With the issuance of this permit, the owner, builder or their designee is required to provide adequate notice to the city of Portland Inspections Services for the following inspections. Appointments must be requested 48 to 72 hours in advance of the required inspection. The inspection date will need to be confirmed by this office.

- **Please read the conditions of approval that is attached to this permit!! Contact this office if you have any questions.**
- **Permits expire in 6 months. If the project is not started or ceases for 6 months.**
- **If the inspection requirements are not followed as stated below additional fees may be incurred due to the issuance of a "Stop Work Order" and subsequent release to continue.**

Close In Elec/Plmb/Frame prior to insulate or gyp

Final Inspection

The project cannot move to the next phase prior to the required inspection and approval to continue, REGARDLESS OF THE NOTICE OF CIRCUMSTANCES.

IF THE PERMIT REQUIRES A CERTIFICATE OF OCCUPANCY, IT MUST BE PAID FOR AND ISSUED TO THE OWNER OR DESIGNEE BEFORE THE SPACE MAY BE OCCUPIED.



PORTLAND MAINE

Strengthening a Remarkable City, Building a Community for Life • www.portlandmaine.gov

Director of Planning and Urban Development
Jeff Levine

Job ID: 2012-06-4341-ALTCOMM

Located At: 135 WALTON ST

CBL: 142- I-001-001

Conditions of Approval:

Building

1. Application approval based upon information provided by the applicant or design professional. Any deviation from approved plans requires separate review and approval prior to work.
2. Equipment shall be installed in compliance with the manufacturer's specifications and the UL listing.
3. The hood, duct and exhaust shall be installed per NFPA 96. This permit is approved based on the plans submitted and/or updated for reductions in the clearances based on the application of a UL approved fire wrap or equivalent assembly per code.
4. Separate permits are required for any electrical, plumbing, sprinkler, fire alarm, HVAC systems, heating appliances, including pellet/wood stoves, commercial hood exhaust systems and fuel tanks. Separate plans may need to be submitted for approval as a part of this process.

Fire

1. Installation shall comply with City Code Chapter 10.
2. Installation shall comply with NFPA 96 including, but not limited to, clearances.
3. A separate Suppression System Permit is required.

City of Portland, Maine - Building or Use Permit Application

389 Congress Street, 04101 Tel: (207) 874-8703, FAX: (207) 8716

| | | | |
|--|---|---|--|
| Job No: 2012-06-4341-ALTCOMM | Date Applied: 6/27/2012 | CBL: 142-1-001-001 | |
| Location of Construction: 135 WALTON ST | Owner Name: DAKOTA BEAR PROPERTIES | Owner Address: 45 SOME VIEW DR HARRISON, ME 04040 | Phone: |
| Business Name: Wayside Soup Kitchen | Contractor Name: Lebel's Sheet Metal -Paul Roy | Contractor Address: 221 Lincoln St., Lewiston, ME 04240 | Phone: (207) 782-2235 |
| Lessee/Buyer's Name: Don Morrison | Phone: 207-775-4939 | Permit Type: BLDG - Building | Zone: I-M |
| Past Use: Wayside Soup Kitchen (kitchen, warehouse & office) - permit #2012-04- 3867 | Proposed Use: Same - Wayside Soup Kitchen - install exhaust Hood System | Cost of Work: 11000.00 | CEO District: |
| | | Fire Dept: 7/18/12 <input checked="" type="checkbox"/> Approved w/ conditions <input type="checkbox"/> Denied <input type="checkbox"/> N/A | Inspection: Use Group: F1/S1/B Type: Type 1 Hood EMC 1993 Signature: JMB |
| Proposed Project Description: Kitchen Exhaust System | Pedestrian Activities District (P.A.D.) | | |
| Permit Taken By: Gayle | Zoning Approval | | |

| Special Zone or Reviews | Zoning Appeal | Historic Preservation |
|---|---|--|
| <input type="checkbox"/> Shoreland <input type="checkbox"/> Wetlands <input type="checkbox"/> Flood Zone <input type="checkbox"/> Subdivision <input type="checkbox"/> Site Plan <input type="checkbox"/> Maj <input type="checkbox"/> Min <input type="checkbox"/> MM Date: OK 7/5/12 JFM | <input type="checkbox"/> Variance <input type="checkbox"/> Miscellaneous <input type="checkbox"/> Conditional Use <input type="checkbox"/> Interpretation <input type="checkbox"/> Approved <input type="checkbox"/> Denied Date: | <input checked="" type="checkbox"/> Not in Dist or Landmark <input type="checkbox"/> Does not Require Review <input type="checkbox"/> Requires Review <input type="checkbox"/> Approved <input type="checkbox"/> Approved w/Conditions <input type="checkbox"/> Denied Date: JFM |

CERTIFICATION

I hereby certify that I am the owner of record of the named property, or that the proposed work is authorized by the owner of record and that I have been authorized by the owner to make this application as his authorized agent and I agree to conform to all applicable laws of this jurisdiction. In addition, if a permit for work described in the application is issued, I certify that the code official's authorized representative shall have the authority to enter all areas covered by such permit at any reasonable hour to enforce the provision of the code(s) applicable to such permit.

| | | | |
|---|---------|------|-------|
| SIGNATURE OF APPLICANT | ADDRESS | DATE | PHONE |
| RESPONSIBLE PERSON IN CHARGE OF WORK, TITLE | | DATE | PHONE |

10-2-12 GF PASS

OK TO CLOSE



IM

General Building Permit Application

If you or the property owner owes real estate or personal property taxes or user charges on any property within the City, payment arrangements must be made before permits of any kind are accepted.

| | | |
|---|--|--|
| Location/Address of Construction: 135 WALTON ST | | |
| Total Square Footage of Proposed Structure/Area | Square Footage of Lot | Number of Stories |
| Tax Assessor's Chart, Block & Lot Chart# Block# Lot# 142 I 001 | Applicant * <u>must</u> be owner, Lessee or Buyer* Name WAYSIDE SOUP KITCHEN Address 135 WALTON ST City, State & Zip PORTLAND, ME .04104 | Telephone: 775-4939 DON MORRISON |
| Lessee/DBA (If Applicable) RECEIVED JUN 27 2012 Dept. of Building Inspections City of Portland Maine | Owner (if different from Applicant) Name Address City, State & Zip | Cost Of Work: \$ 10,200.00 C of O Fee: \$ _____ Total Fee: \$ _____ |
| Current legal use (i.e. single family) _____ Number of Residential Units _____ If vacant, what was the previous use? _____ Proposed Specific use: WAYSIDE SOUP KITCHEN Is property part of a subdivision? NO If yes, please name _____ Project description: Install a 12' Exhaust Hood system, complete with lights, Belters, ductwork & pan installed to NFA codes | | |
| Contractor's name: LEBEL'S SHEET METAL | | |
| Address: 221 LINCOLN ST | | |
| City, State & Zip: LEWISTON, ME 04240 | | Telephone: 207-782-2235 |
| Who should we contact when the permit is ready: Paul Roy | | Telephone: 576-1863 cell |
| Mailing address: 221 LINCOLN ST | | |

Please submit all of the information outlined on the applicable Checklist. Failure to do so will result in the automatic denial of your permit.

In order to be sure the City fully understands the full scope of the project, the Planning and Development Department may request additional information prior to the issuance of a permit. For further information or to download copies of this form and other applications visit the Inspections Division on-line at www.portlandmaine.gov, or stop by the Inspections Division office, room 315 City Hall or call 874-8703.

I hereby certify that I am the Owner of record of the named property, or that the owner of record authorizes the proposed work and that I have been authorized by the owner to make this application as his/her authorized agent. I agree to conform to all applicable laws of this jurisdiction. In addition, if a permit for work described in this application is issued, I certify that the Code Official's authorized representative shall have the authority to enter all areas covered by this permit at any reasonable hour to enforce the provisions of the codes applicable to this permit.

Signature: Paul Roy Date: 6/27/12

This is not a permit; you may not commence ANY work until the permit is issued



PORTLAND MAINE

Strengthening a Remarkable City, Building a Community for Life • www.portlandmaine.gov

Receipts Details:

Tender Information: Check , BusinessName: visa, Check Number: 844

Tender Amount: 130.00

Receipt Header:

Cashier Id: gguertin

Receipt Date: 6/27/2012

Receipt Number: 45418

Receipt Details:

| | | | |
|---|--------|----------------|-----------|
| Referance ID: | 7061 | Fee Type: | BP-Constr |
| Receipt Number: | 0 | Payment Date: | |
| Transaction Amount: | 130.00 | Charge Amount: | 130.00 |
| Job ID: Job ID: 2012-06-4341-ALTCOMM - Kitchen Exhaust System | | | |
| Additional Comments: Paul Ray | | | |

Thank You for your Payment!



PORTLAND MAINE

Strengthening a Remarkable City, Building a Community for Life • www.portlandmaine.gov

Lee Urban - Director of Planning and Development
Jeanie Bourke - Inspection Division Services Director

Kitchen Exhaust System Checklist and code Provisions

Dear Applicant,

The following is a checklist to assist you in filing for a permit for a Kitchen Exhaust system. The applicable Mechanical Code provisions have also been attached. Please complete this and submit job specific construction documents that demonstrate compliance with the attached information.

Type of System:

Type I X Type II _____

Type I systems are systems that vent fryers, grills, broilers, ovens or woks.

Type II systems are systems that vent steamers and other non grease producing appliances.

Type of Materials:

Is the hood Stainless steel or other type of steel? Stainless steel If Other, what Type? _____

Is the duct work Stainless steel or other type of steel? steel If Other, what type? _____

Thickness of the steel for the hood 18 ga

Thickness of the duct for the hood 16 ga

Type of Hood and Duct Supports

- Threaded Rods to ceiling Joist
- Mounted to concrete wall

Type of seams and Joints All welded

Grease Gutters provided? yes

Hood Clearance reduction to Combustibles design /specs:

As Per Drawing

Duct Clearance reduction to Combustibles design /specs:

Fire wrap - (fire master) zero clearance.

Vibration Isolation System:

Air Velocity within the duct system 2000 RPM

Grease accumulation prevention system:

Captive - BIRE

Cleanouts None needed.

Grease Duct enclosure yes

Exhaust Termination Roof Wall

Fire Suppression System yes

Exhaust fan mounting and clearance from the roof / wall or Combustibles:

Roof Mounted on curb 42" Above Roof

Exhaust fan distance from property lines Min 10'

Exhaust fan distance from other vents or openings Min 10'

Exhaust fan distance from adjacent buildings None

Exhaust fan height above adjoining grade _____

Hood Specs

Style of Hood Canopy (See Hood Specs)

Type of Filter Baffle

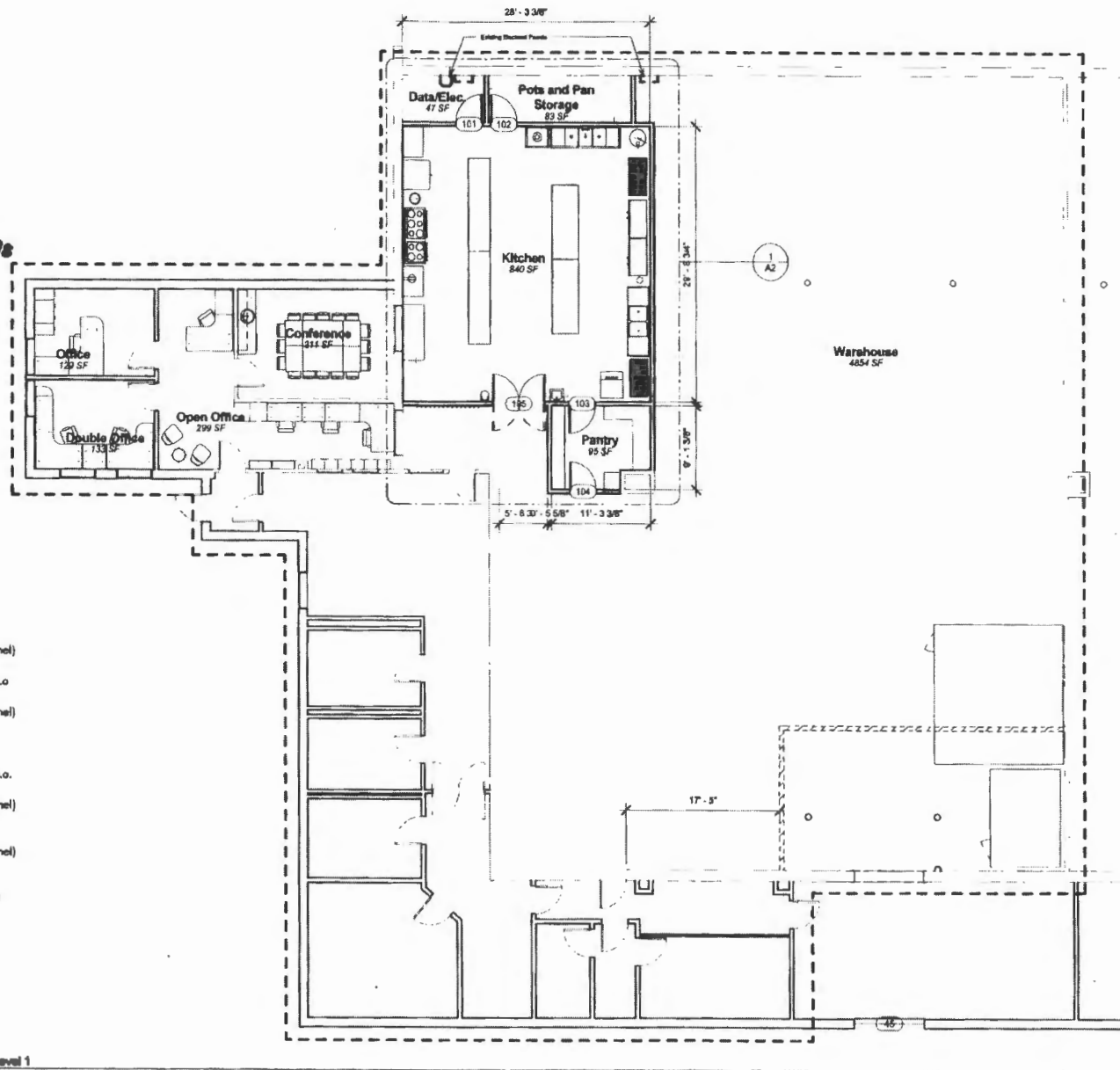
Height of filter above nearest cooking surface See Hood Specs (48")

Capacity of hood CFM 3000 CFM

Make up Air system description and capacity

None

RECEIVED
 JUN 13 2012
 Dept. of Building Inspections
 City of Portland Maine



Wall Type 1
 FRP (Fiberglass Reinforced Panel)
 5/8" GWB
 2x4 Studs @ 16" o.c. TYP u.n.o.
 5/8" GWB
 FRP (Fiberglass Reinforced Panel)

Wall Type 2
 5/8" OSB
 2x4 Studs @ 16" o.c. TYP u.n.o.
 5/8" GWB
 FRP (Fiberglass Reinforced Panel)

Wall Type 3
 FRP (Fiberglass Reinforced Panel)
 [existing wall]
 Wall thickness varies - Existing Wall

Wall Types
 1/2" = 1'-0"

Level 1
 1/8" = 1'-0"

8/13/2012 8:50:10 AM 10/1/2012

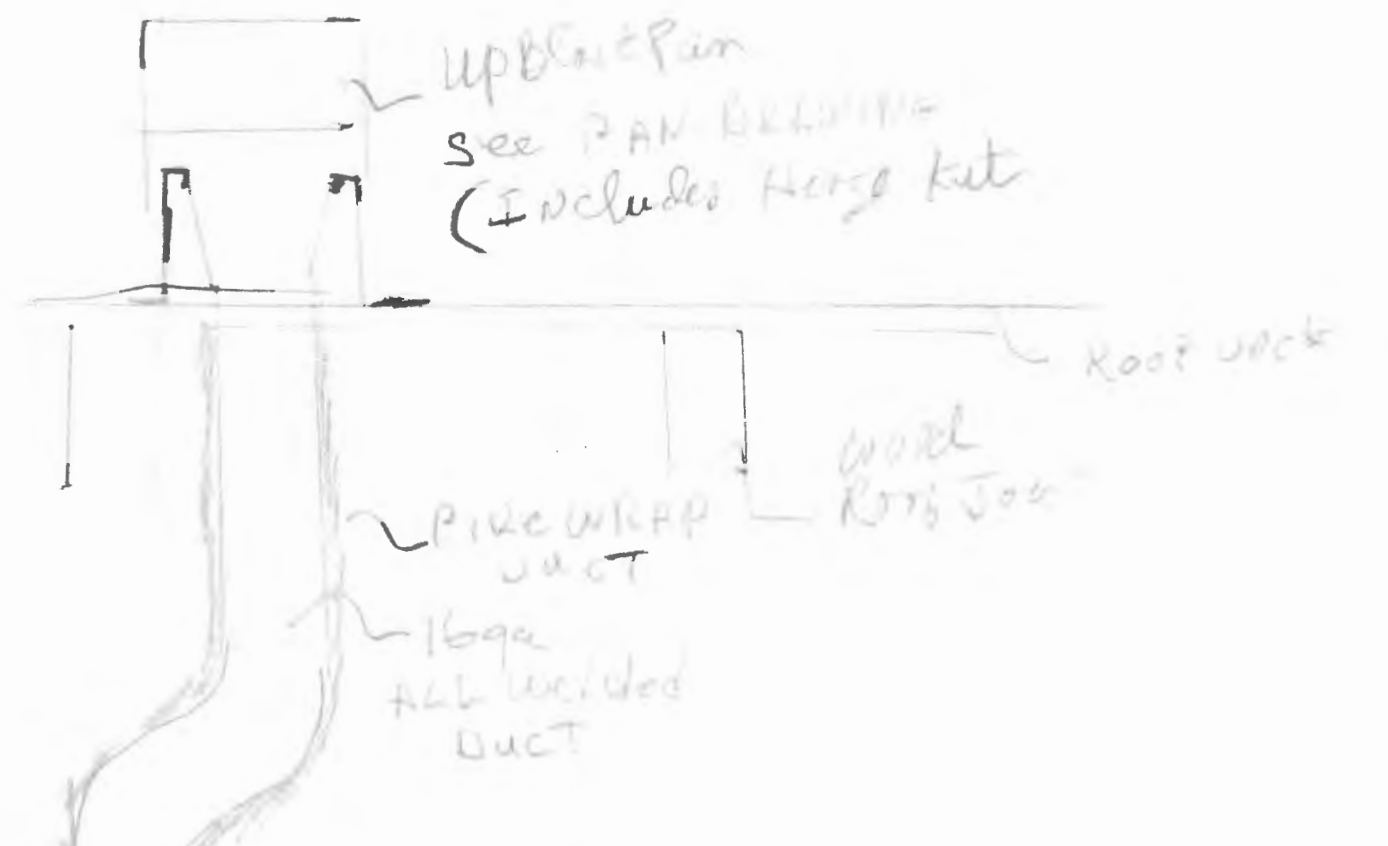
-paul lewandowski AIA
 110 Oak Street, Portland, ME 04101
 207 888 4317
 plewandowski@gmail.com

Wayside Food Programs
 135 Walton Avenue

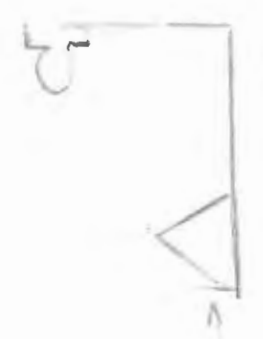
Overall Floor Plan
 Project number 2012.1
 Date 8.13.12

A1

Scale As Indicated



Concrete W/fin



12' CHPT 10-PIPE
SEE HODG SPEC

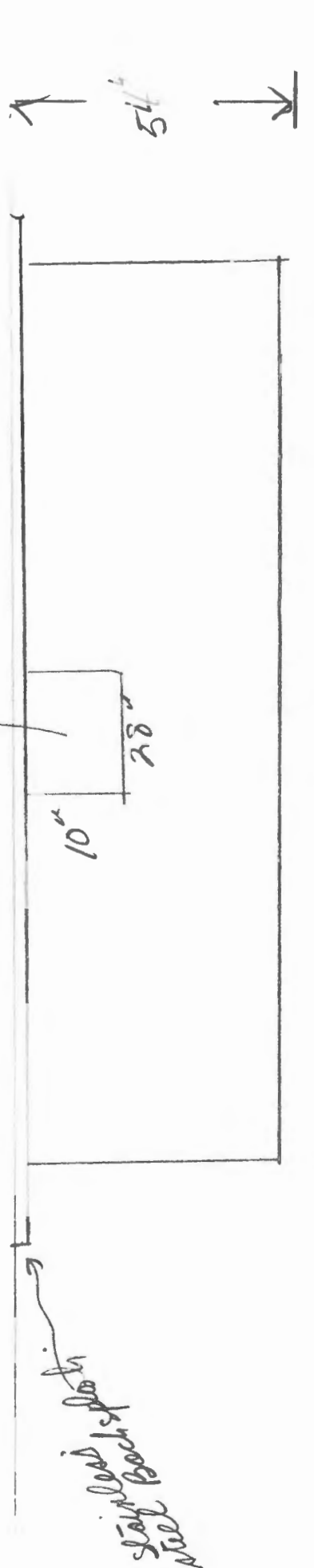
80"

Finless
Steel wall

WAYSIDE SOUTHERN
135 WALTON ST
PORTLAND ME
HODG SYSTEM

concrete wall

Duct up thru
Roof -



12'

12' Capture-Arm Hood
see Hood Specs.

WAY OF DUCT ENTRY
13" SUBMITTAL
PLATE AT THE SIDE
FIRESTOP SYSTEM

HOOD INFORMATION

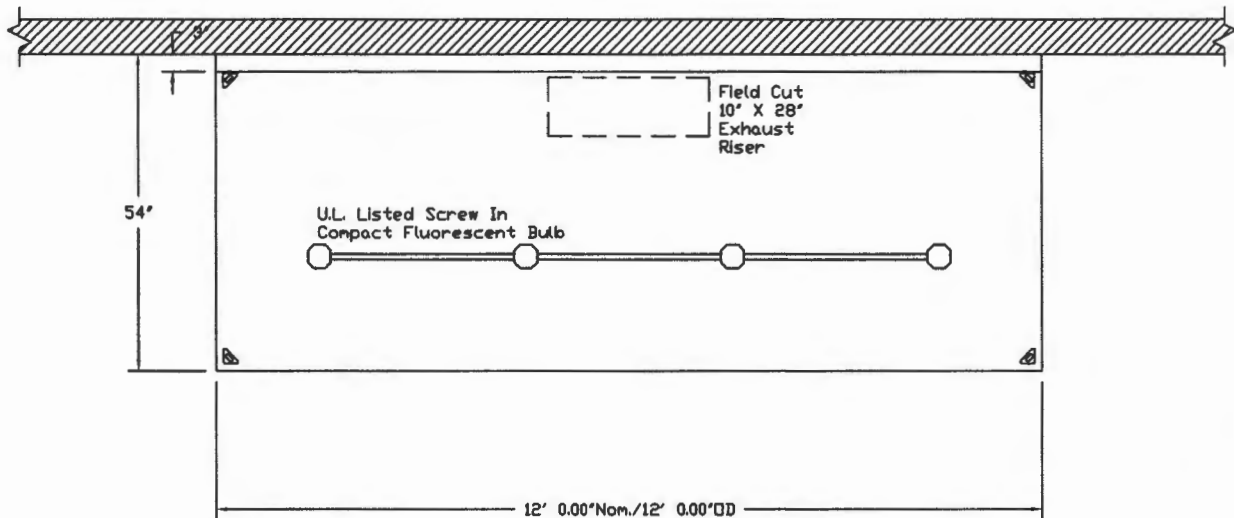
| HOOD NO. | MODEL | LENGTH | MAX. COOKING TEMP. | EXHAUST PLENUM RISER(S) | | | | | SUPPLY PLENUM RISER(S) | | | | | HOOD CONSTRUCTION | HOOD CONFIG. | | |
|----------|-----------|-----------|--------------------|-------------------------|-------|-------|------|------|------------------------|----------------|-------|-------|------|-------------------|----------------------|-------|------------|
| | | | | TOTAL EXH. CFM | WIDTH | LENG. | DIA. | CFM | S.P. | TOTAL SUP. CFM | WIDTH | LENG. | DIA. | | CFM | S.P. | END TO END |
| 1 | 5424 ND-2 | 12' 0.00' | 600 Deg. | 3000 | 10" | 28" | | 3000 | -0.561" | 0 | | | | | 430 SS Where Exposed | ALONE | ALONE |

HOOD INFORMATION

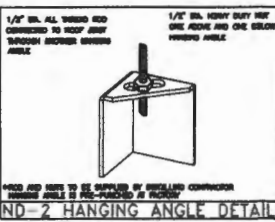
| HOOD NO. | FILTER(S) | | | | LIGHT(S) | | | UTILITY CABINET(S) | | | | FIRE SYSTEM PIPING | HOOD HANGING WGT | | |
|----------|------------------------|------|--------|--------|----------|-------------------------|------------|--------------------|-------------|--|------------|--------------------|------------------|----------|---------|
| | TYPE | QTY. | HEIGHT | LENGTH | QTY. | TYPE | WIRE GUARD | LOCATION | FIRE SYSTEM | | ELECTRICAL | | | SWITCHES | |
| | | | | | | | | | | | | | | | |
| 1 | SS Baffle with Handles | 4 | 16" | 16" | 4 | Screw In Compact Fluore | NO | | | | | | | NO | 460 LBS |

HOOD OPTIONS

| HOOD NO. | OPTION |
|----------|---|
| 1 | RIGHT QUARTER END PANEL 23' Top Width, 0' Bottom Width, 23' High 430 SS |
| | LEFT QUARTER END PANEL 23' Top Width, 0' Bottom Width, 23' High 430 SS |



PLAN VIEW - Hood #1
12' 0.00" LONG 5424ND-2



CUSTOMER APPROVAL TO MANUFACTURE:

Approved as Noted

Approved with NO Exception Taken

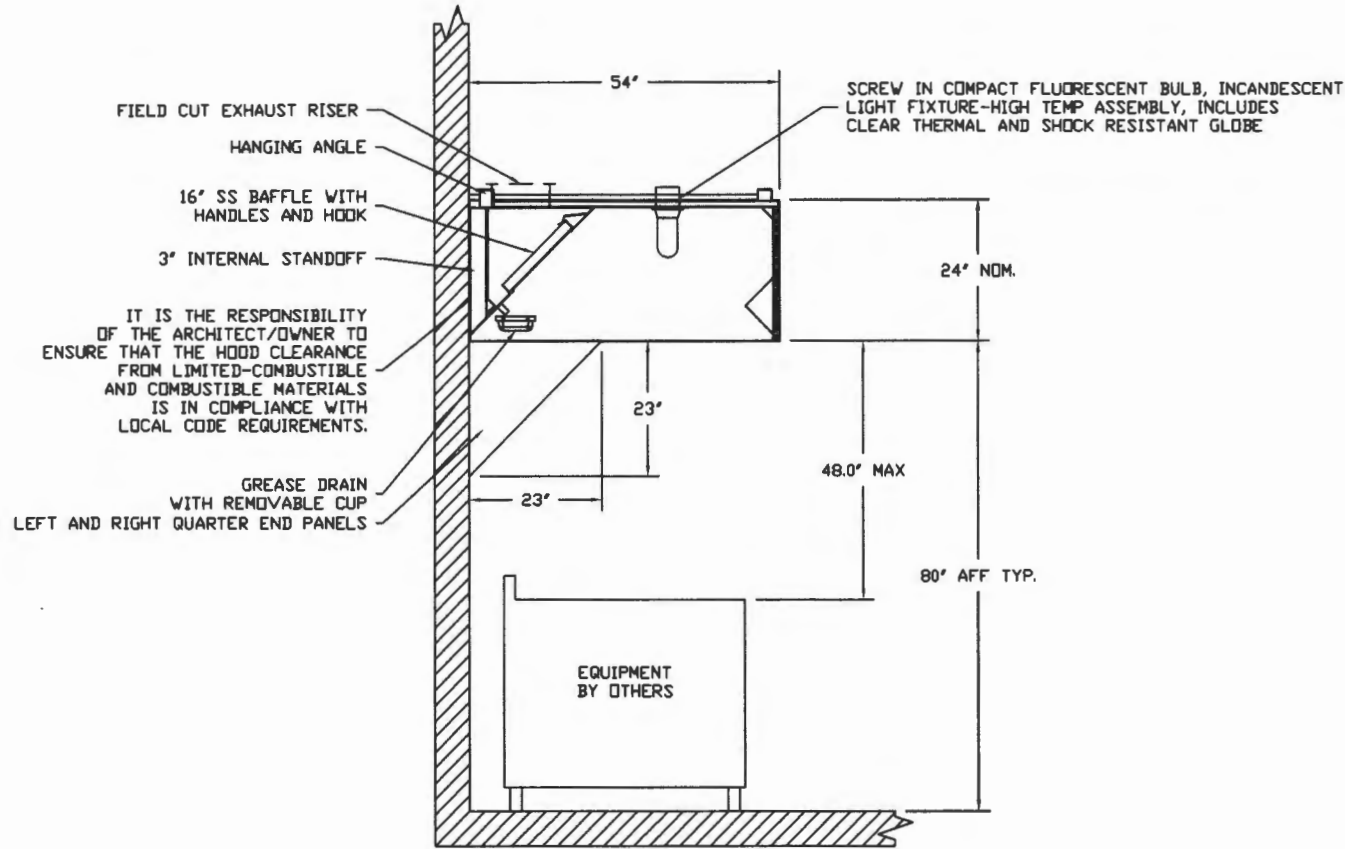
Revise and Resubmit

SIGNATURE _____

Your Title _____ Date _____



| | |
|---------------------------|--------------------|
| JOB Under One Roof (12ft) | |
| LOCATION Lewiston, ME | |
| DATE 6/26/2012 | JOB # 1578642 |
| DWG # 1 | DRAWN BY BFC-21 |
| REV. | SCALE 3/8" = 1'-0" |



SECTION VIEW - MODEL 5424ND-2

CUSTOMER APPROVAL TO MANUFACTURE:

Approved as Noted

Approved with NO Exception Taken

Revise and Resubmit

SIGNATURE _____

Your Title _____ Date _____



| | |
|---------------------------|--------------------|
| JOB Under One Roof (12ft) | |
| LOCATION Lewiston, ME | |
| DATE 6/26/2012 | JOB # 1578642 |
| DWG # 2 | DRAWN BY BFC-21 |
| REV. | SCALE 3/8" = 1'-0" |

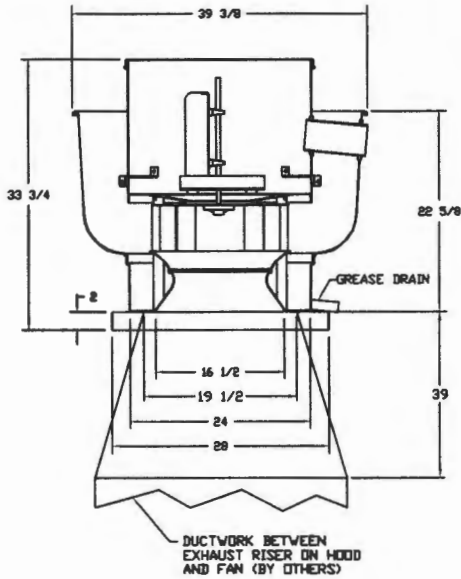
EXHAUST FAN INFORMATION

| FAN UNIT NO. | FAN UNIT MODEL # | MODEL | TAG | CFM | ESP. | RPM | H.P. | # | VOLT | FLA | WEIGHT (LBS.) | SOMES |
|--------------|------------------|---------|-----|------|-------|------|-------|---|------|-----|---------------|-------|
| 1 | NCA16FA | NCA16FA | | 3000 | 0.750 | 1008 | 1.000 | 3 | 208 | 3.3 | 181.91 | 13 |

FAN OPTIONS

| FAN UNIT NO. | OPTION (Qty. - Descr.) |
|--------------|---|
| 1 | 1 - Grease Box |
| | 1 - Full Crating For Exhaust Fans |
| | 1 - Fan Base Ceramic Seal - For Grease Ducts |
| | 1 - Hinge Kit - Ships Loose for Curb Supplied by Others |

FAN #1 NCA16FA - EXHAUST FAN



FEATURES:

- ROOF MOUNTED FANS
- RESTAURANT MODEL
- UL705 AND UL762
- ANCA SOUND AND AIR CERTIFIED
- WIRING FROM MOTOR TO DISCONNECT SWITCH
- WEATHERPROOF DISCONNECT
- HIGH HEAT OPERATION 300°F (149°C)
- GREASE CLASSIFICATION TESTING

NORMAL TEMPERATURE TEST
EXHAUST FAN MUST OPERATE CONTINUOUSLY WHILE EXHAUSTING AIR AT 300°F (149°C) UNTIL ALL FAN PARTS HAVE REACHED THERMAL EQUILIBRIUM, AND WITHOUT ANY DETERIORATING EFFECTS TO THE FAN WHICH WOULD CAUSE UNSAFE OPERATION.

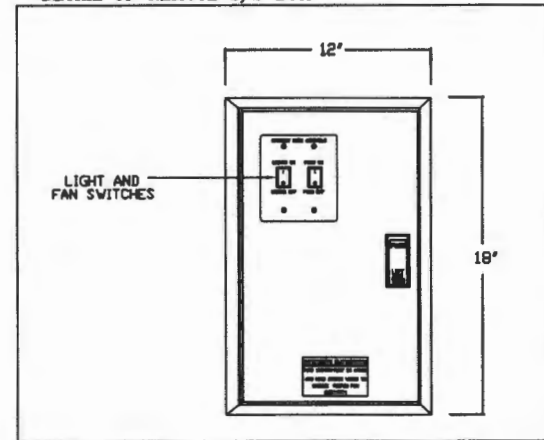
ABNORMAL FLARE-UP TEST
EXHAUST FAN MUST OPERATE CONTINUOUSLY WHILE EXHAUSTING BURNING GREASE VAPORS AT 600°F (316°C) FOR A PERIOD OF 15 MINUTES WITHOUT THE FAN BECOMING DAMAGED TO ANY EXTENT THAT COULD CAUSE AN UNSAFE CONDITION.

OPTIONS

- GREASE BOX
- FULL CRATING FOR EXHAUST FANS
- FAN BASE CERAMIC SEAL - FOR GREASE DUCTS
- HINGE KIT - SHIPS LOOSE FOR CURB SUPPLIED BY OTHERS

2 SPEED CONTROL BOX

DETAIL OF REMOTE S/S BOX



CUSTOMER APPROVAL TO MANUFACTURE:

Approved as Noted

Approved with NO Exception Taken

Revise and Resubmit

SIGNATURE _____

Your Title _____ Date _____



| | |
|---------------------------|--------------------|
| JOB Under One Roof (12ft) | |
| LOCATION Lewiston, ME | |
| DATE 6/26/2012 | JOB # 157864 |
| DWG # 3 | DRAWN BY BFC-21 |
| REV. | SCALE 3/8" = 1'-0" |

Exhaust Fan Wiring

JOB NAME Under One Roof (12ft)

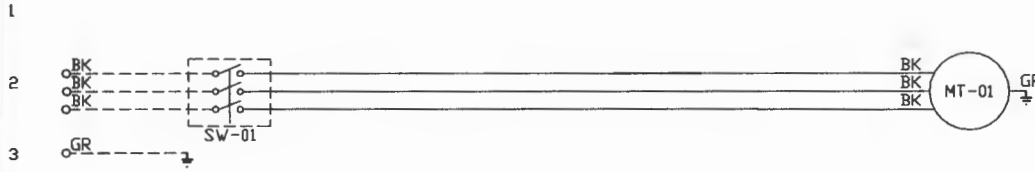
DATE 6/26/2012

DRAWING NUMBER EXH1578644-1

JOB NUMBER 1578644

MODEL NCA16FA

Installed Options



Component Identification

| Label | Description | Location |
|-------|------------------------|----------|
| MT-01 | Fan Motor | [2] |
| SW-01 | Main disconnect switch | [2] |

MOTOR INFO
EXHAUST 1HP-208V-3P-3.3FLA

ELECTRICAL INFORMATION
MOTOR/CONTROL MCA: 4.2A
MOTOR/CONTROL MOP: 15A

NOTES
----- DENOTES FIELD WIRING
————— DENOTES INTERNAL WIRING

WIRE COLOR
BK - BLACK YW - YELLOW
BL - BLUE GR - GREEN
BR - BROWN GY - GRAY
OR - ORANGE PR - PURPLE
RD - RED PK - PINK
WH - WHITE