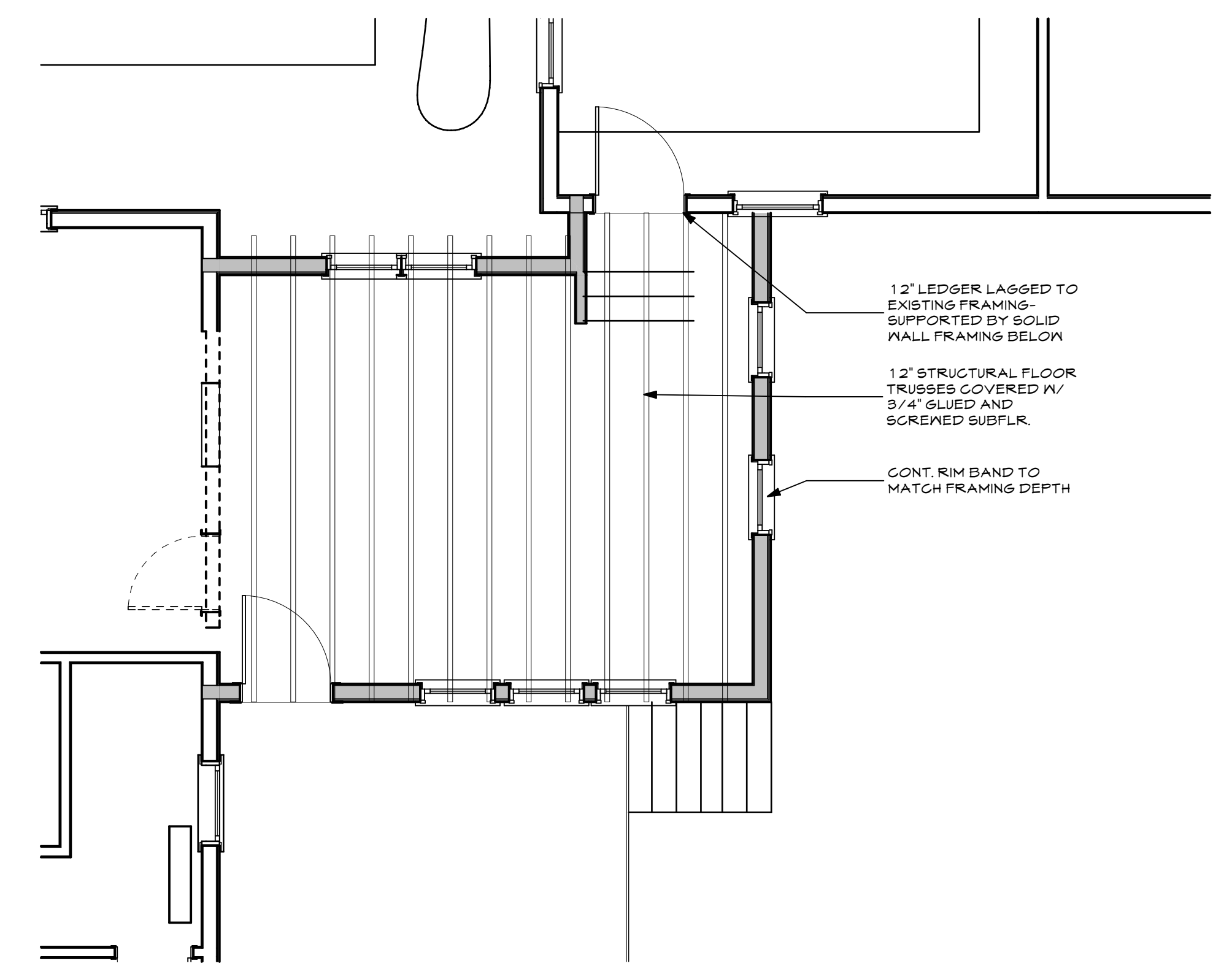
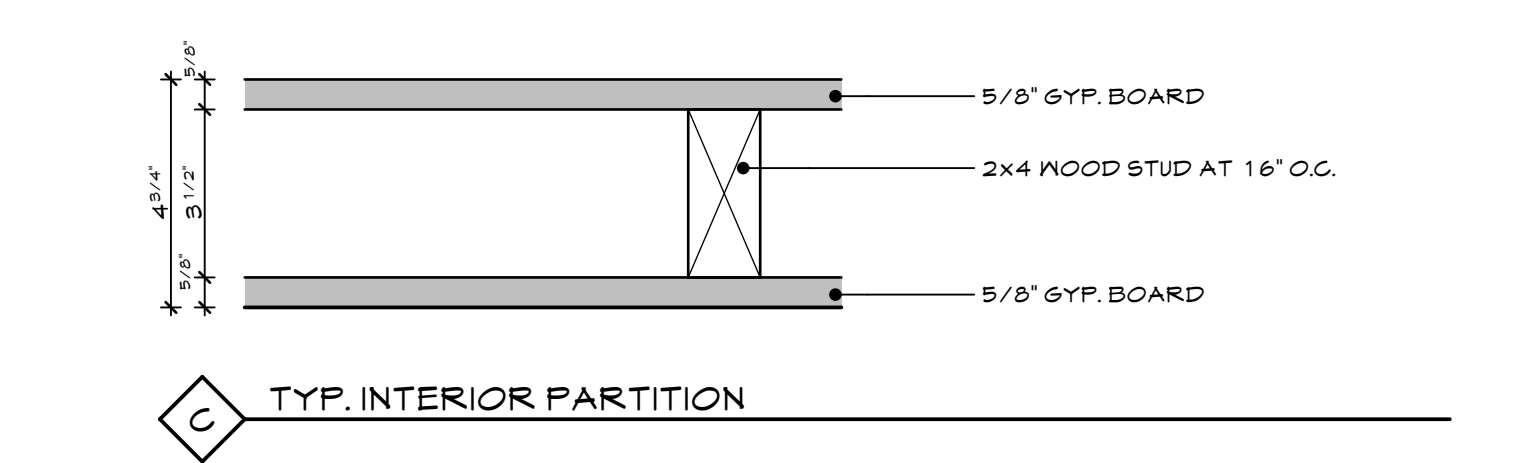
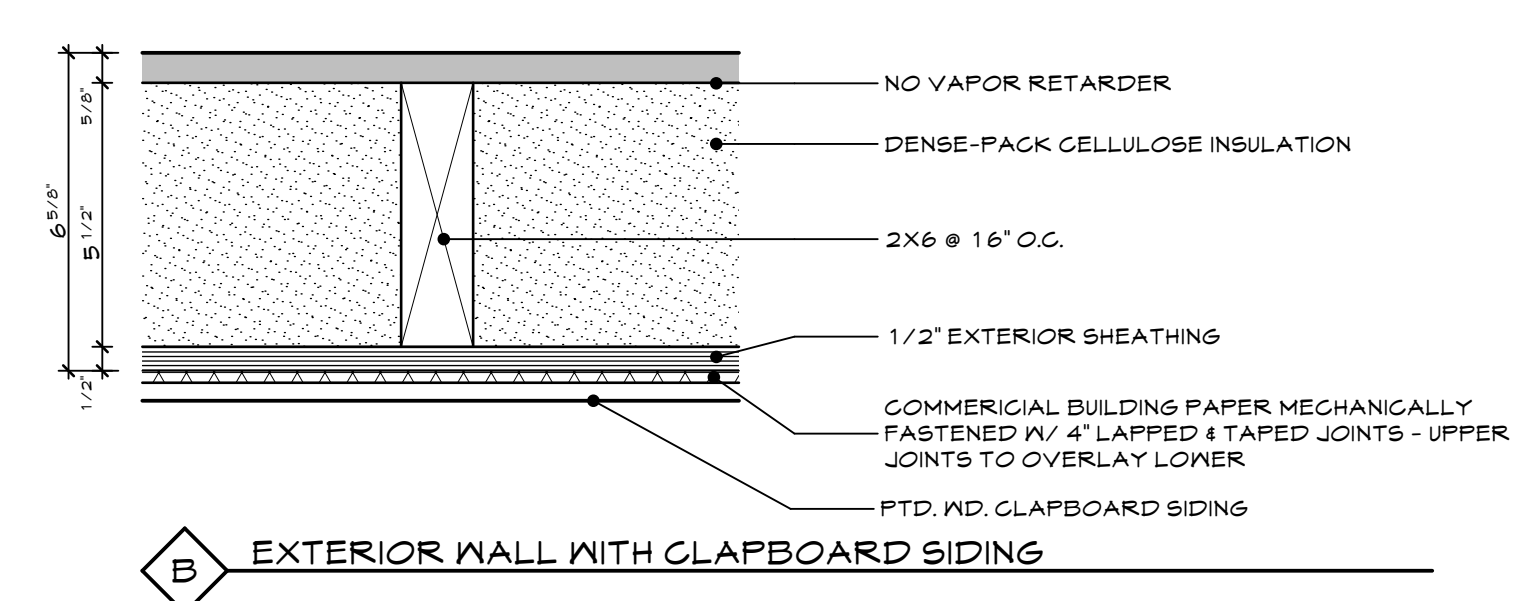
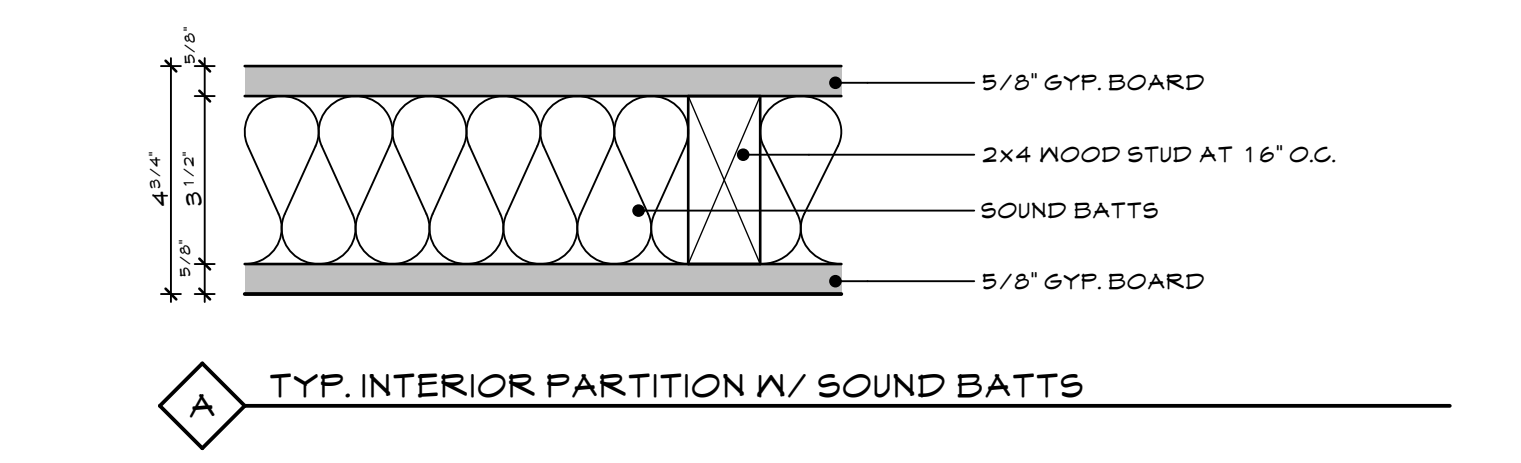


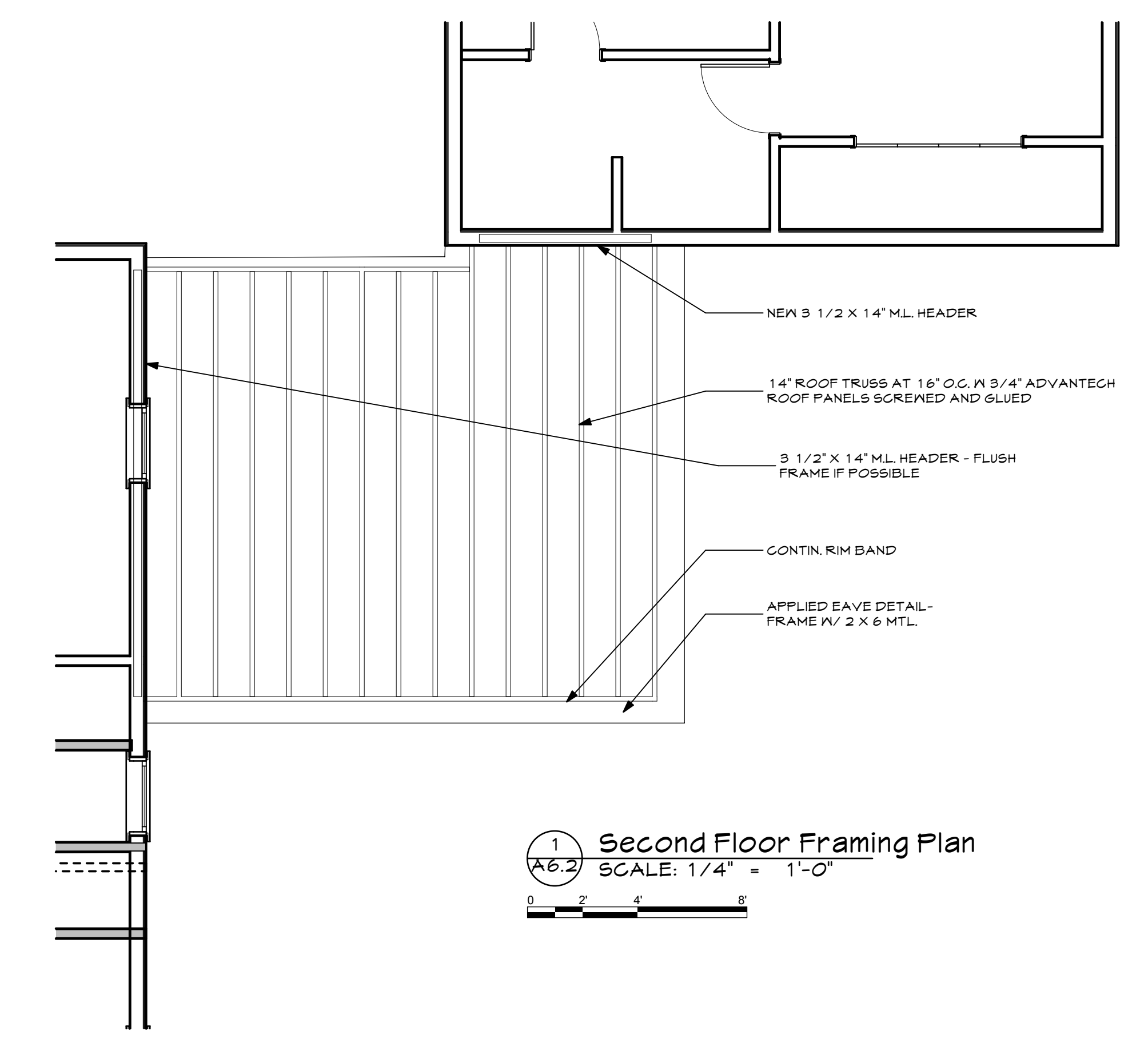
1 Detail 1 - site detail
A6.2 SCALE: 1/2" = 1'-0"
0 1' 2' 4'



1 First Floor Framing Plan
A6.2 SCALE: 1/4" = 1'-0"

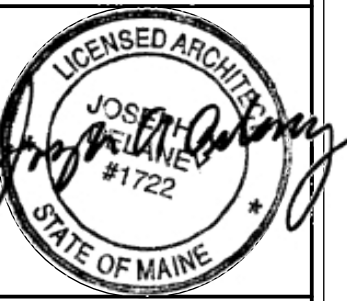


1 WALL TYPES
A6.2 SCALE: 3/8" = 1'-0"

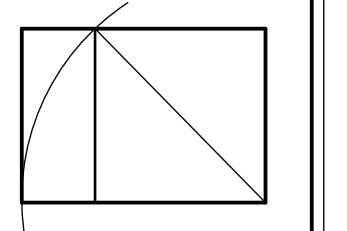


1 Second Floor Framing Plan
A6.2 SCALE: 1/4" = 1'-0"
0 2' 4' 8'

PLYMOUTH HOLDINGS - SSB
HOLDINGS
116 WALTON ST.
PORTLAND, MAINE



WHIPPLE - CALLENDER ARCHITECTS



136 PLEASANT AVE.
PORTLAND, ME 04103
P 207.115.2616
F 207.115.5631
www.whipplecallender.com

MARK	DATE	DESCRIPTION

DATE:	6.1.13
CHECKED BY:	JAD
DRAWN BY:	Initials
JOB:	10-2013
SHEET TITLE:	FRAMING DETAILS

A6.2

THIS DRAWING IS AN INSTRUMENT OF SERVICE AND SHALL REMAIN THE PROPERTY OF WHIPPLE CALLENDER ARCHITECTS. IT SHALL NOT BE USED FOR ANY OTHER PURPOSE THAT FOR WHICH IT IS SPECIFICALLY FURNISHED.