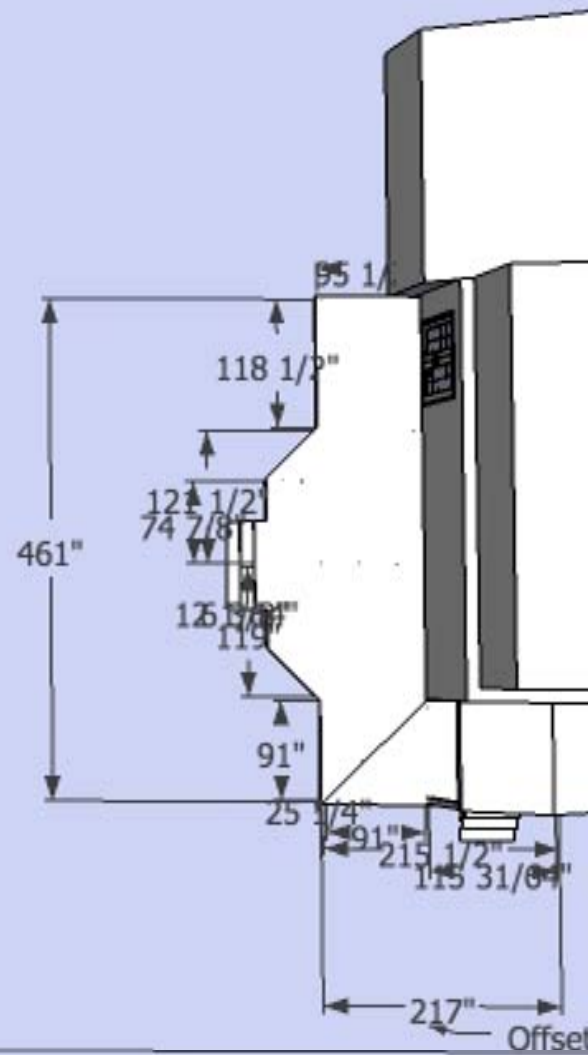


3084"

← Offset from rear of property approx. 180'



3084"