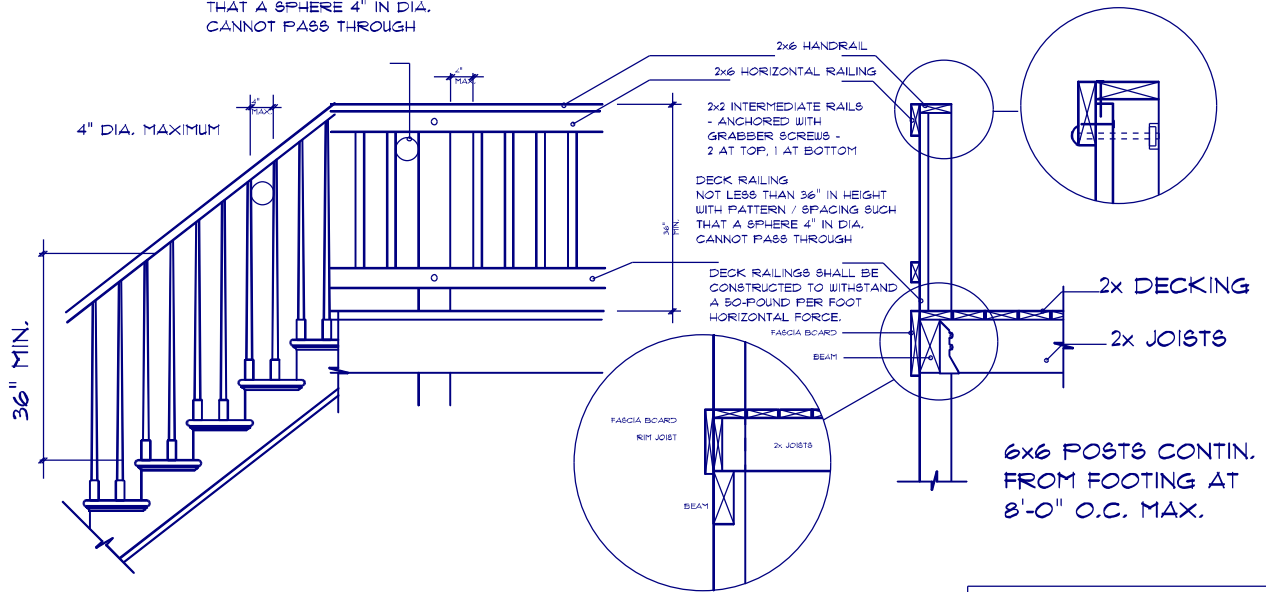


NOT LESS THAN 36" IN HEIGHT WITH PATTERN / SPACING SUCH THAT A SPHERE 4" IN DIA. CANNOT PASS THROUGH



ALL HANDRAILS SHALL BE CONTINUOUS THE FULL LENGTH OF THE STAIRS. HANDGRIP PORTION OF ALL HANDRAILS SHALL NOT BE LESS THAN 1-1/4" NOR MORE THAN 2" IN CROSS SECTIONAL DIMENSION, OR THE SHAPE SHALL PROVIDE AN EQUIVALENT GRIPPING SURFACE

STAIR / BALUSTER STYLES ARE DIAGRAMMATIC ONLY -- CONTRACTOR TO COORDINATE STYLES WITH OWNER / FINISHES

