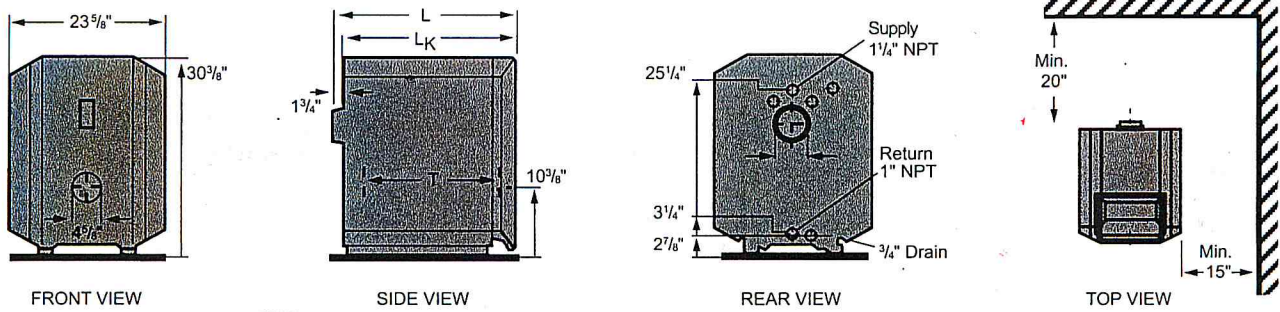


G115WS Series



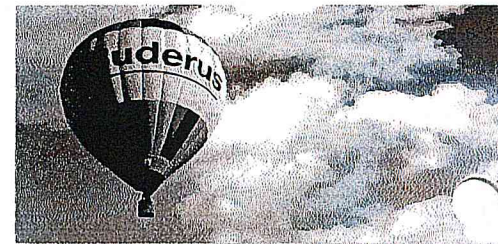
Model	G115WS/3		G115WS/4		G115WS/5	
	Chimney Vent	Direct Vent	Chimney Vent	Direct Vent	Chimney Vent	Direct Vent
Gross Output (BTU/Hr)	85,000	74,000	109,000	98,000	136,000	120,000
Net I.B.R. (BTU/Hr)	74,000	64,000	95,000	85,000	119,000	104,000
Firing Rate (GPH)	0.70	0.60	0.90	0.80	1.10	1.0
AFUE	86.7%	86.5%	86.9%	86.8%	87%	86%
Piping Connections						
Vent Connection Size	5"		5"		5"	
Supply	1 1/4"		1 1/4"		1 1/4"	
Return	1"		1"		1"	
Physical Dimensions						
Number of Sections	3		4		5	
Overall Boiler Length (L)	23 5/8"		28 5/8"		33 5/8"	
Boiler Block Length (L _K)	21 1/8"		25 3/4"		30 1/2"	
Minimum Boiler Width	18"		18"		18"	
Boiler Width	23 1/2"		23 1/2"		23 1/2"	
Minimum Boiler Height	33 1/2"		33 1/2"		33 1/2"	
Height	34 1/2"		34 1/2"		34 1/2"	
Boiler Feet Spacing	10 3/8"		16 1/8"		20 7/8"	
Fire Box Depth (D)	16"		20 1/2"		25 1/4"	
Fire Box Volume (cu. ft.)	1.20		1.75		2.21	
Dry Weight (lbs.)	330		403		476	
Water Content (gal.)	8.7		10.8		12.9	
Recommended Clearances for Ease of Serviceability						
Side	15"		15"		15"	
Rear	20"		20"		20"	

The G115WS comes with B-Kit with Tridicator and Pressure Relief Valve.

The burner kits are available with oil burner control, flexible oil liner, circulator and flanges.



Approval numbers are subject to periodic changes and updates. Please visit www.buderus.us for the most up-to-date approval numbers.



A Tradition of Excellence

The world leader in heating technologies since 1825. Buderus produced the first low-temperature hydronic heating systems. Today, Buderus products are acknowledged as the global standard in high-efficiency, low emissions hydronic heating. All Buderus products are designed to meet strict safety and environmental regulations.

Buderus boilers are quick and easy to install and will outlast and outperform virtually any other hot water heating system. They are designed for easy access and service. With appropriate maintenance, Buderus boilers deliver the highest efficiencies throughout the lifespan of operation. Buderus is a member of Bosch Thermotechnology.

G115WS Direct Vent Installation Tips

ETL approved with two 4" 90° elbows, and up to 6' of 4" regular flue pipe for short vent runs. For longer runs, use up to 10' of flexible stainless steel insulated oil vent. Use 4" metal pipe for air intake. Use at least 6' to 8' of 4" metal pipe for air intake in conditioned space in cold climates (below -20°F). Direct vent burners are equipped with pre-and post-purge cycles for safe, complete exhaust of all combustion products, while cooling oil burner nozzle for positive shut-off. Buderus recommends the use of Becket, Carlin and Riello burners. Please refer to the Buderus trade price list for models.

Front	Side	Rear	Top	Galvanized Vent Pipe	Flex Insulated Oil Vent	AT-4 Exhaust Only Termination	FT-4 Concentric Termination
24"	6"	18"	6"	18"	1"	1"	1"

AT-4 Aerocowl Termination

FT-4 Concentric Pipe-in-Pipe Termination

One of the two ETL certified terminations are required for use with G115WS series boilers for direct vent applications. Both terminations are "zero clearance" systems for easy versatile applications.