



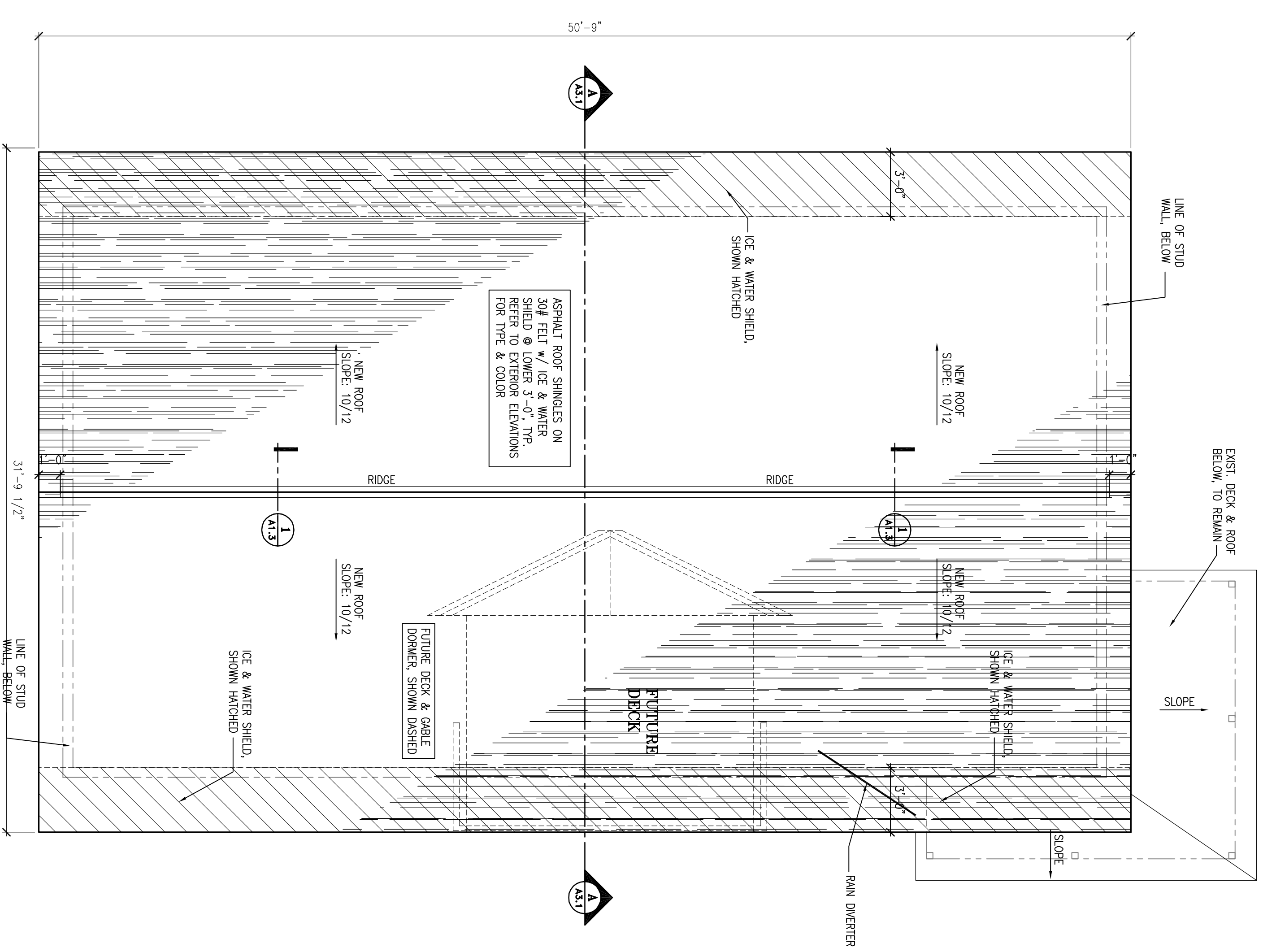
**Walton Street 3 Unit**  
15 Walton Street  
Portland Maine 04103

JOB: 11024

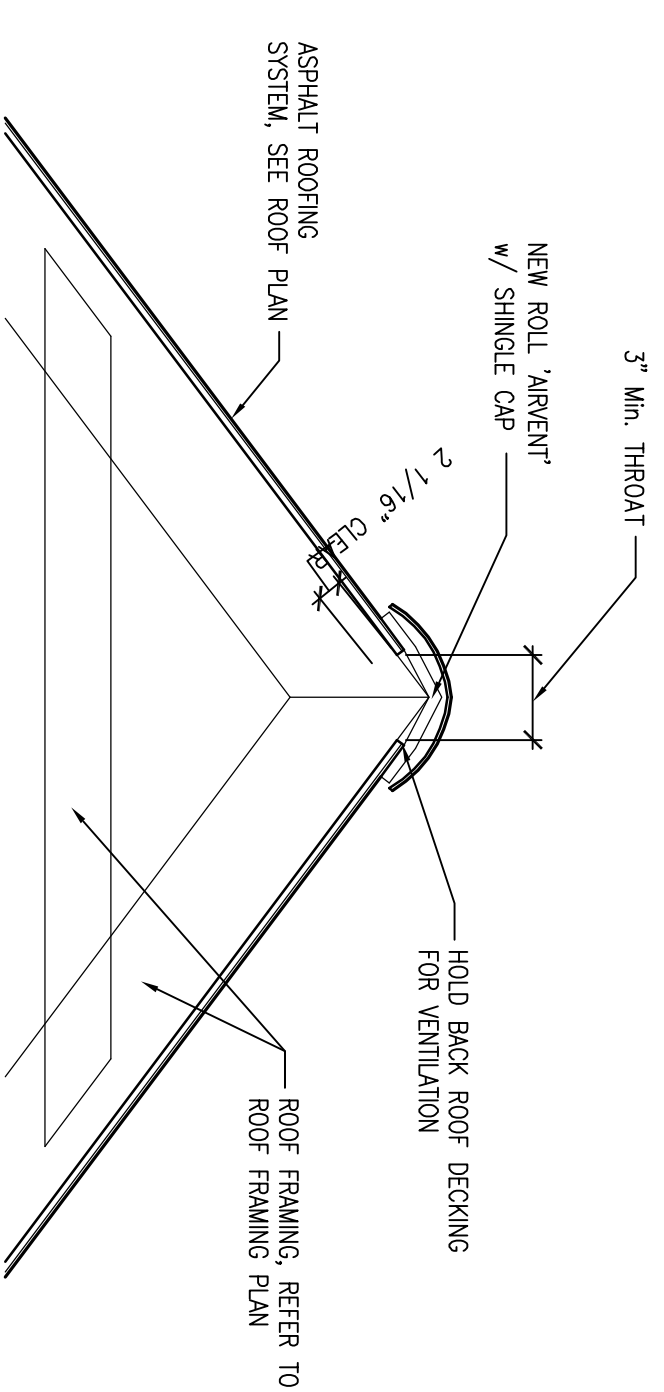
ISSUE DATE	
PRELIM.	08-25-11
Board	Not Rec'd
CD's	10-12-11
REV. 1	-
REV. 2	-
PRINT	11-04-11

FOURTH FLOOR  
& ROOF  
PLANS

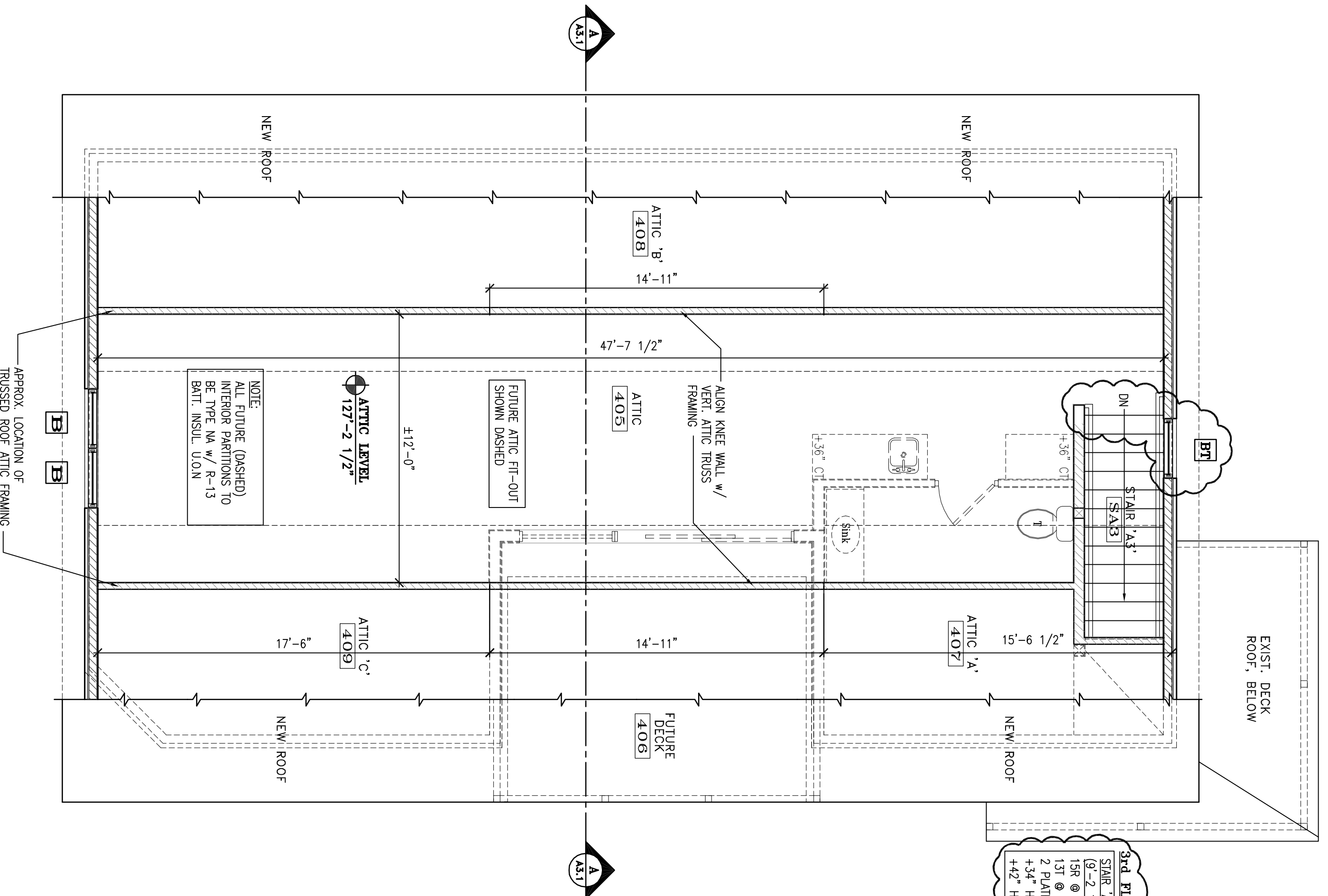
**A1.3**



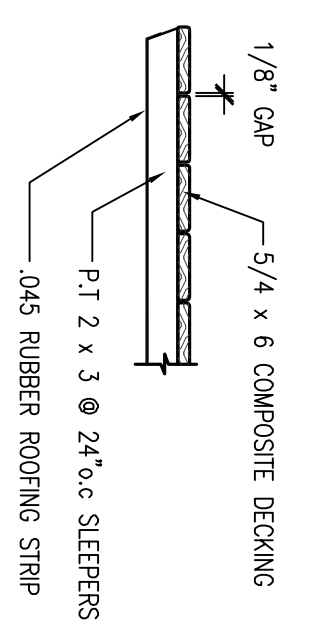
**ROOF PLAN**  
SCALE: 1/4" = 1'-0"



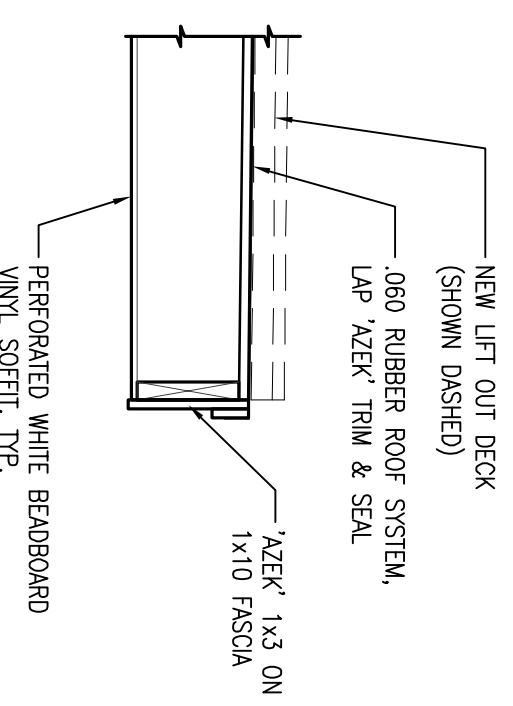
**1 RIDGE VENT DETAIL**  
SCALE: 3/4" = 1'-0"



**ATTIC PLAN**  
SCALE: 1/4" = 1'-0"



**LIFT OUT DECK DETAIL**  
SCALE: 3/4" = 1'-0"



**EDGE OF DECK DETAIL**  
SCALE: 3/4" = 1'-0"