

Walton Street 3 Unit

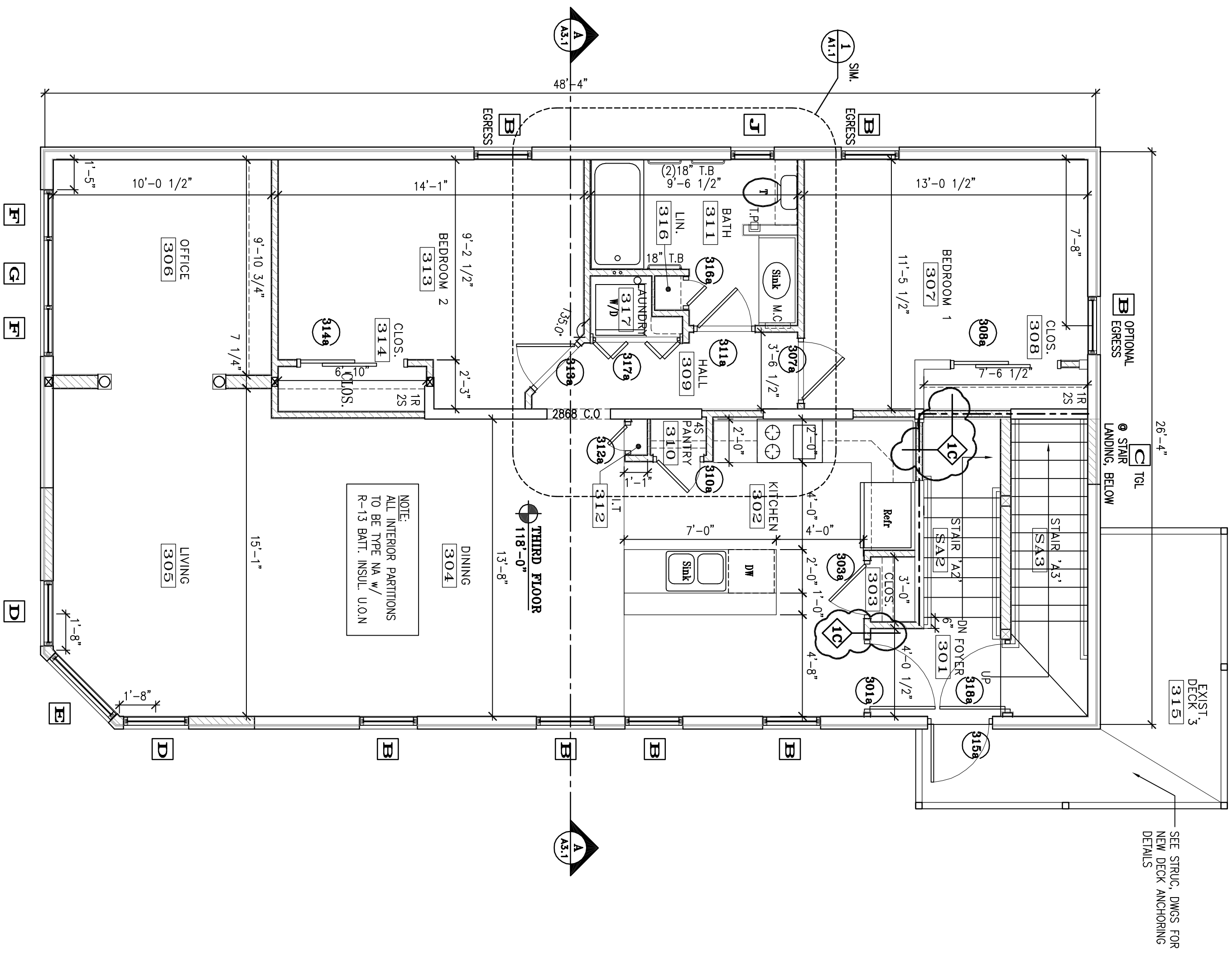
15 Walton Street
Portland Maine 04103

JOB: 11024

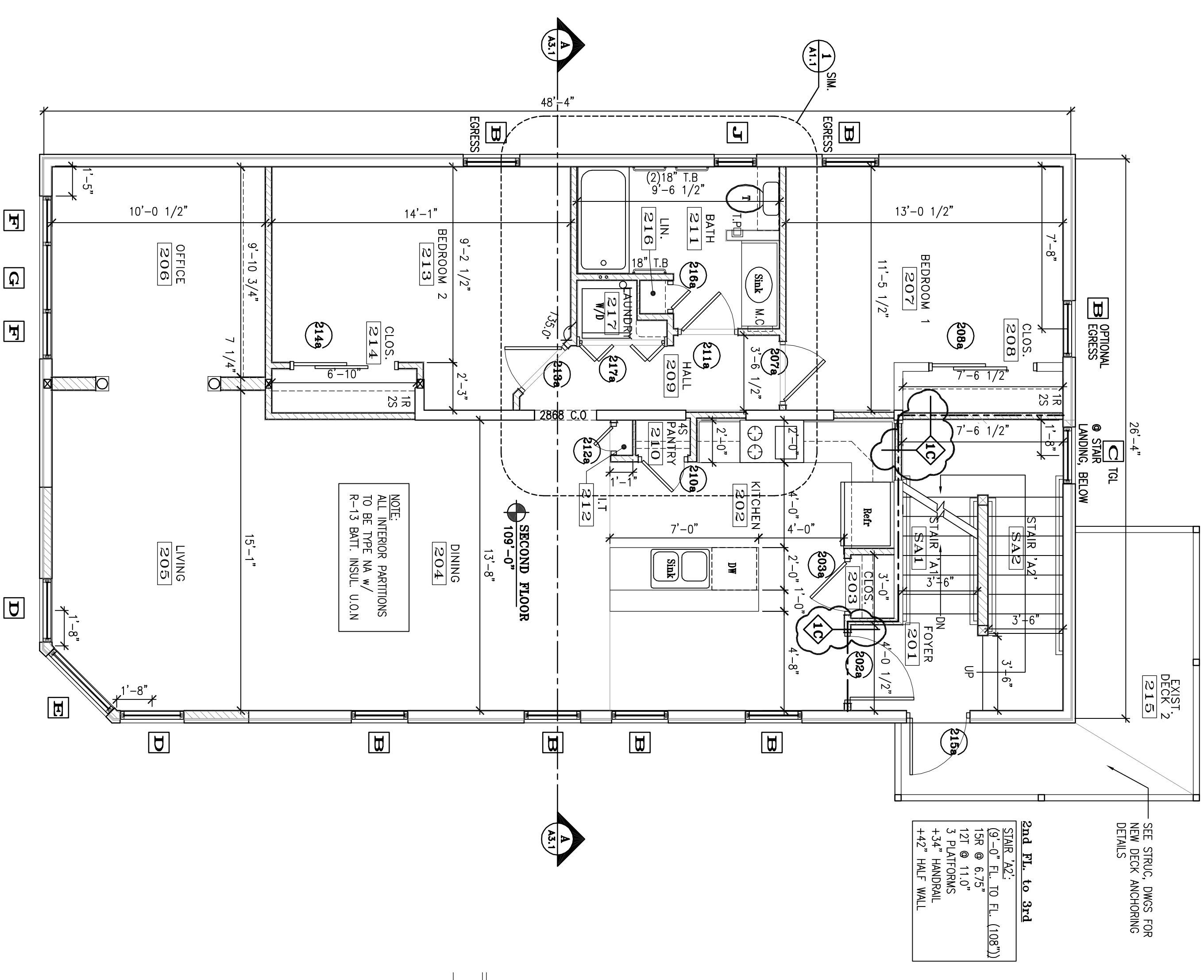
ISSUE DATE	DESCRIPTION
PRELIM.	08-25-11
Board	Not Rec'd
CDs	10-12-11
REV. 1	-
REV. 2	-
PRINT	11-04-11

SECOND & THIRD FLOOR PLANS

A1.2

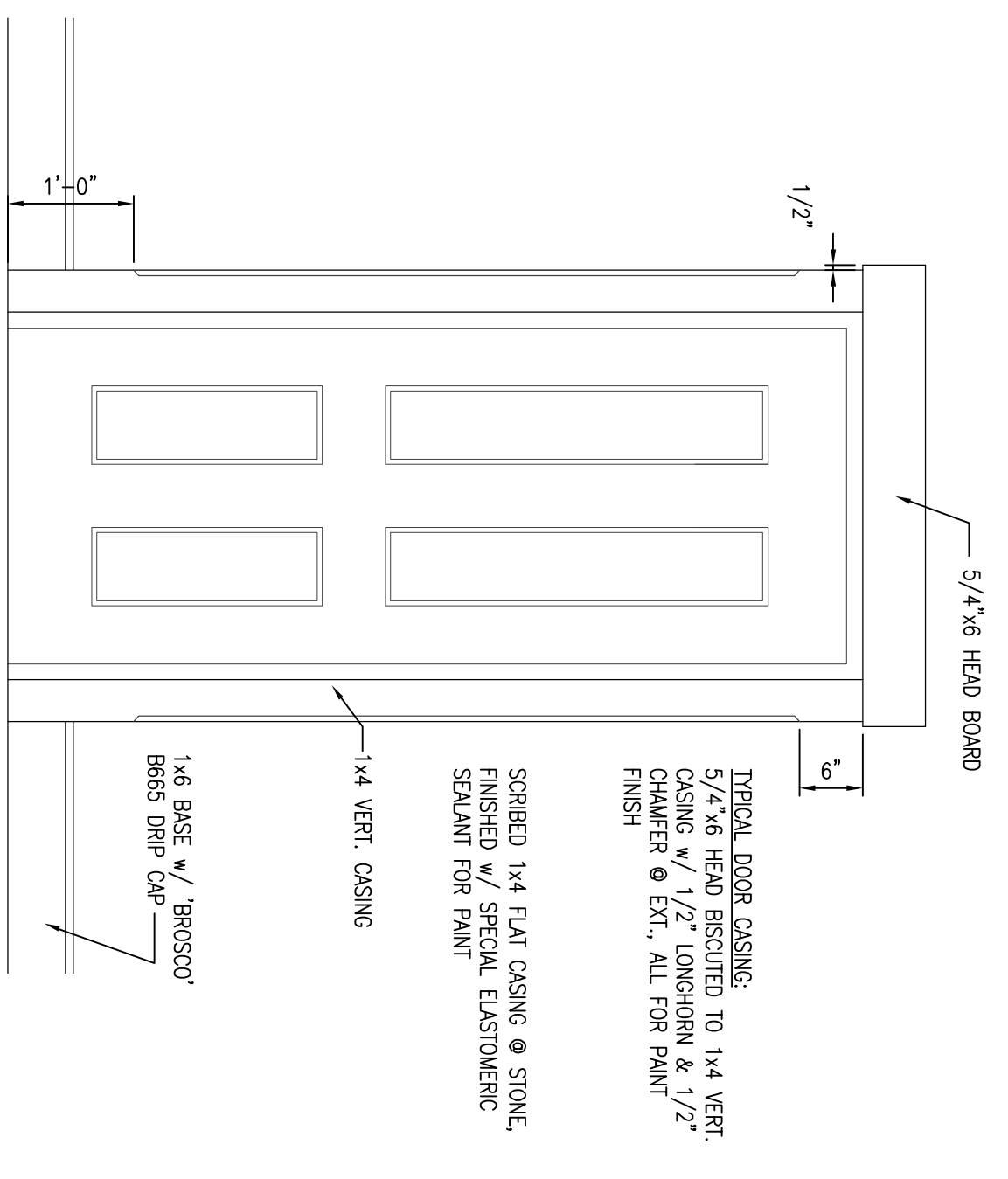


THIRD FLOOR PLAN
SCALE: 1/4" = 1'-0"

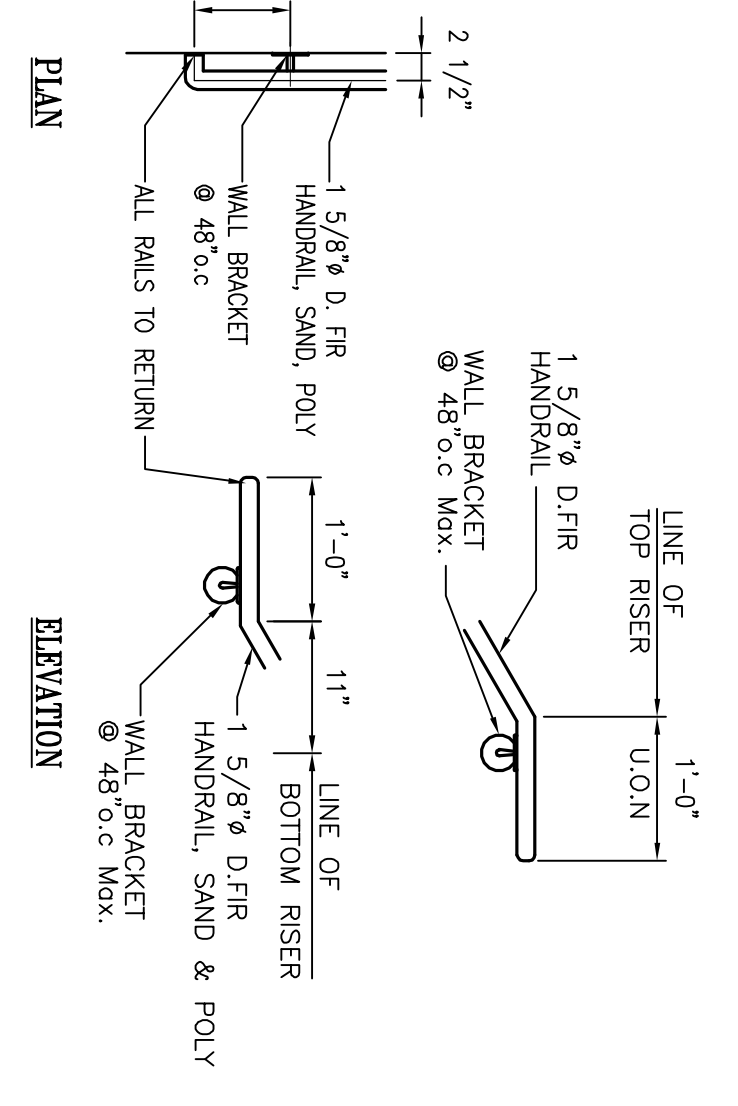
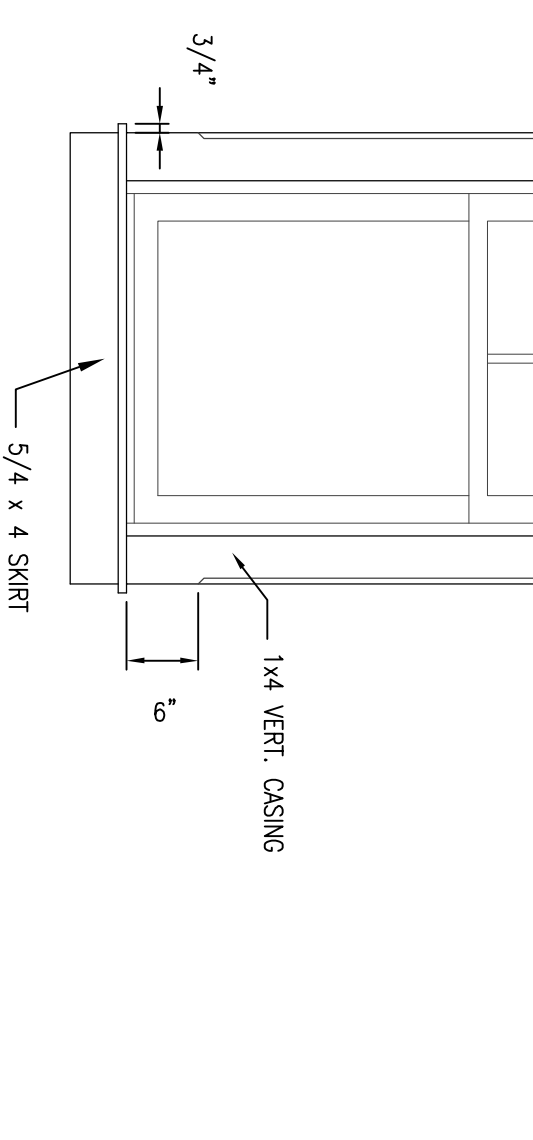


SECOND FLOOR PLAN
SCALE: 1/4" = 1'-0"

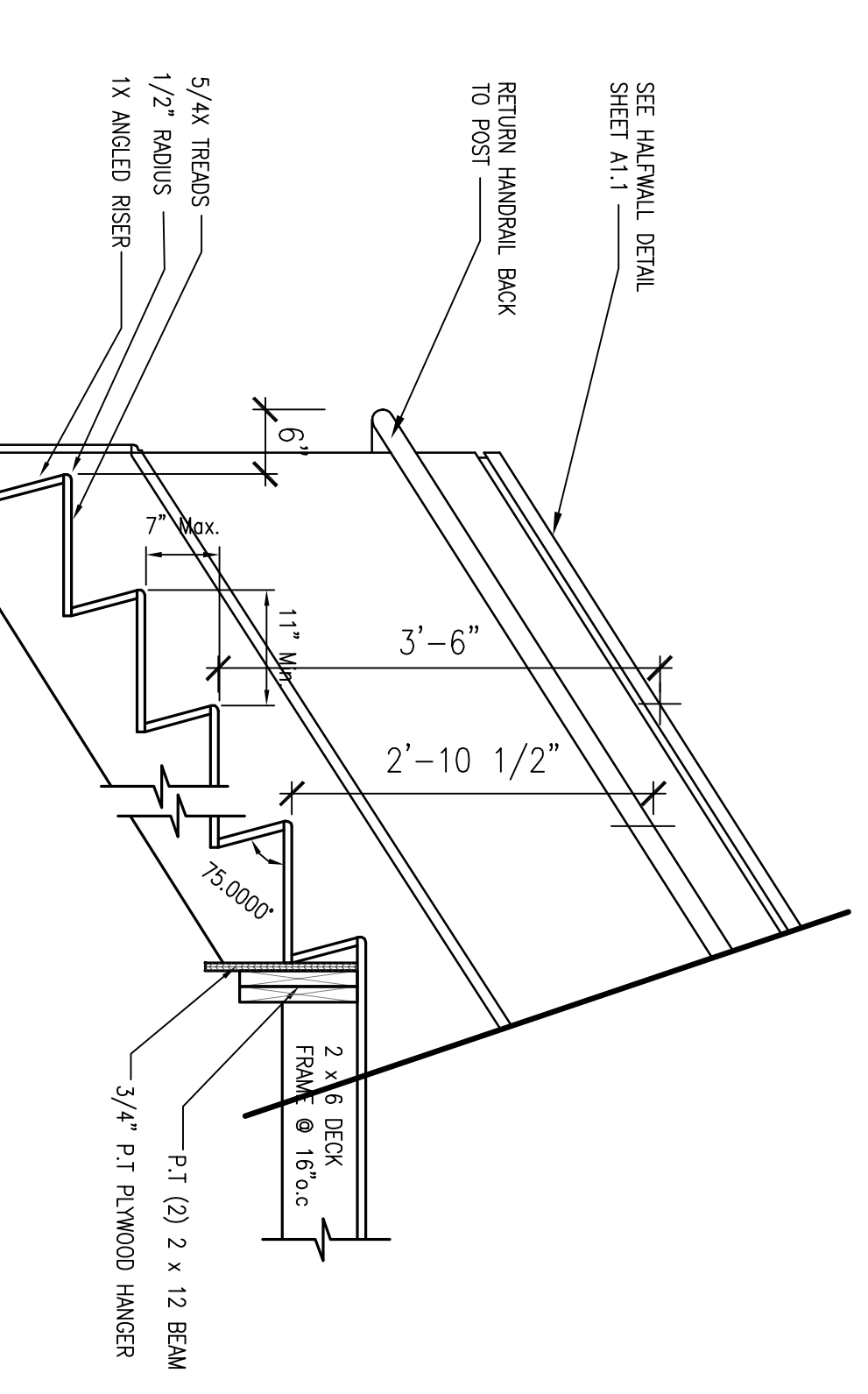
CASING DETAILS:
NOTE: ALL FOR PAINT FINISH



TYPICAL WINDOW CASING:



WALL MOUNTED RAILING DETAIL
SCALE: 3/4" = 1'-0"



TYPICAL STAIR NOSING DETAIL
SCALE: 3/4" = 1'-0"

AMENDED PERMIT SET 11-15-11