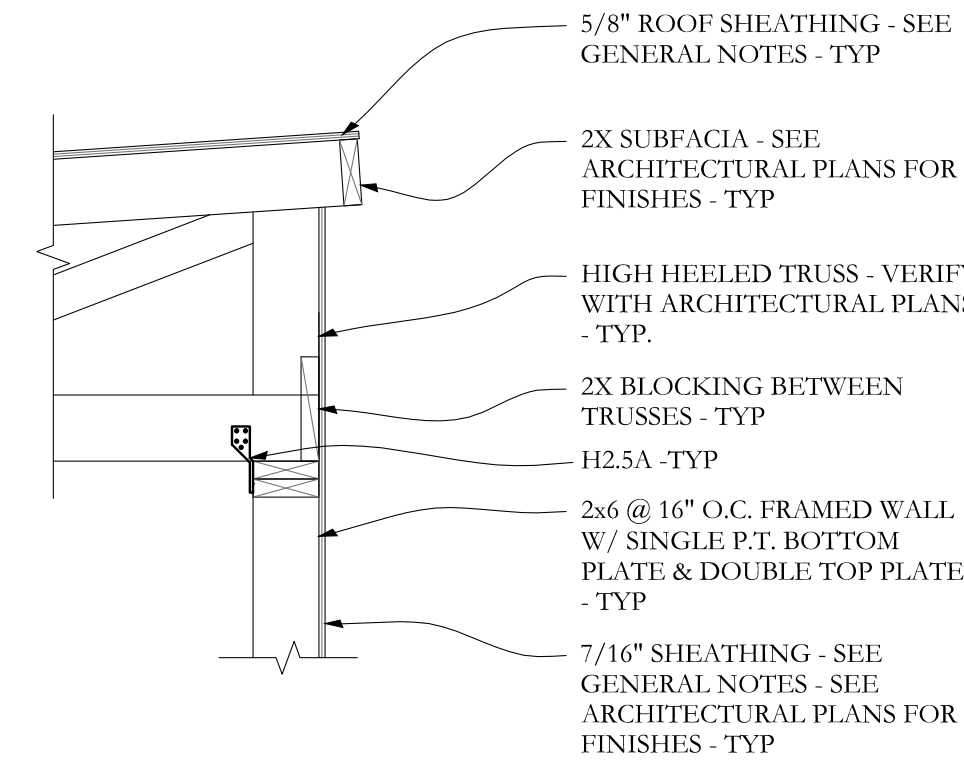
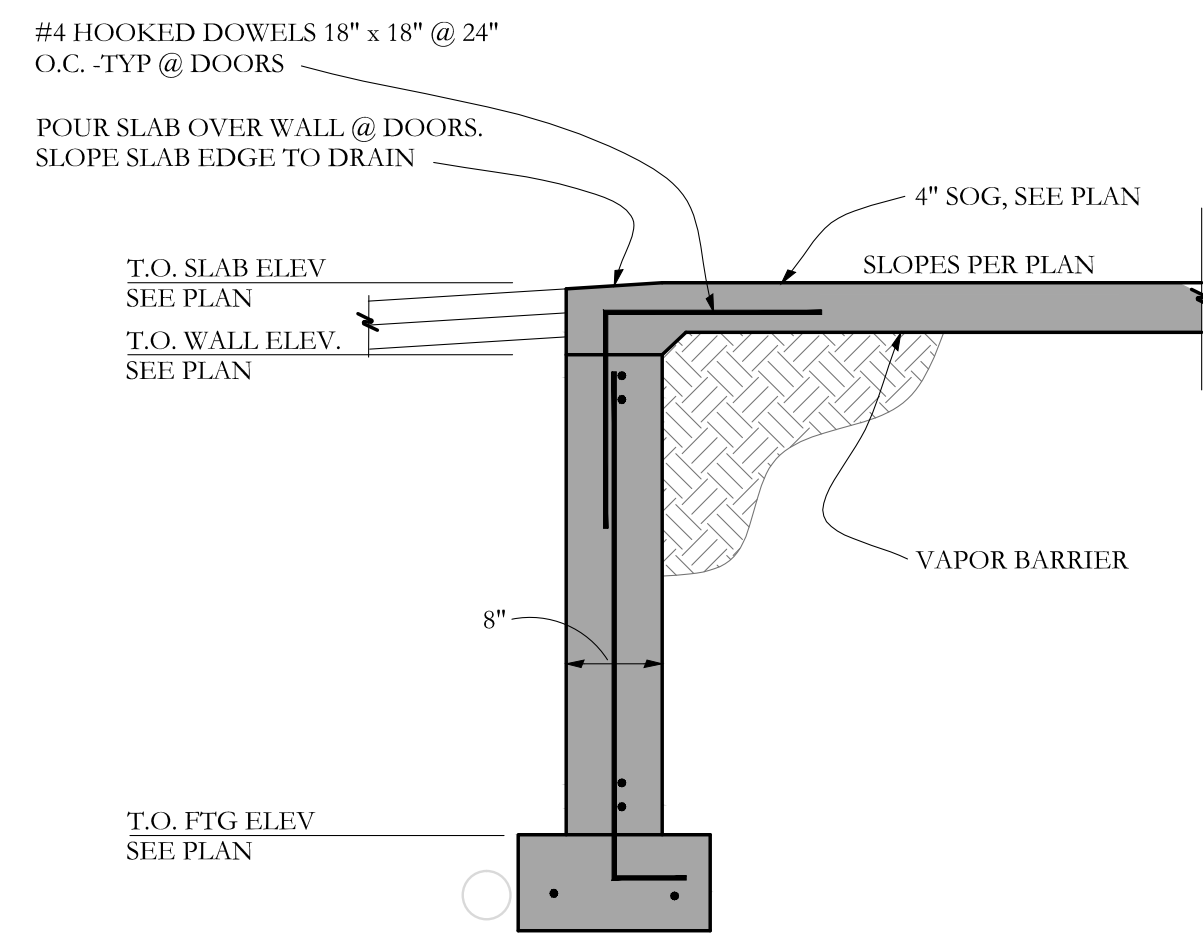


SECTION **H** 1 1/2"=1'-0

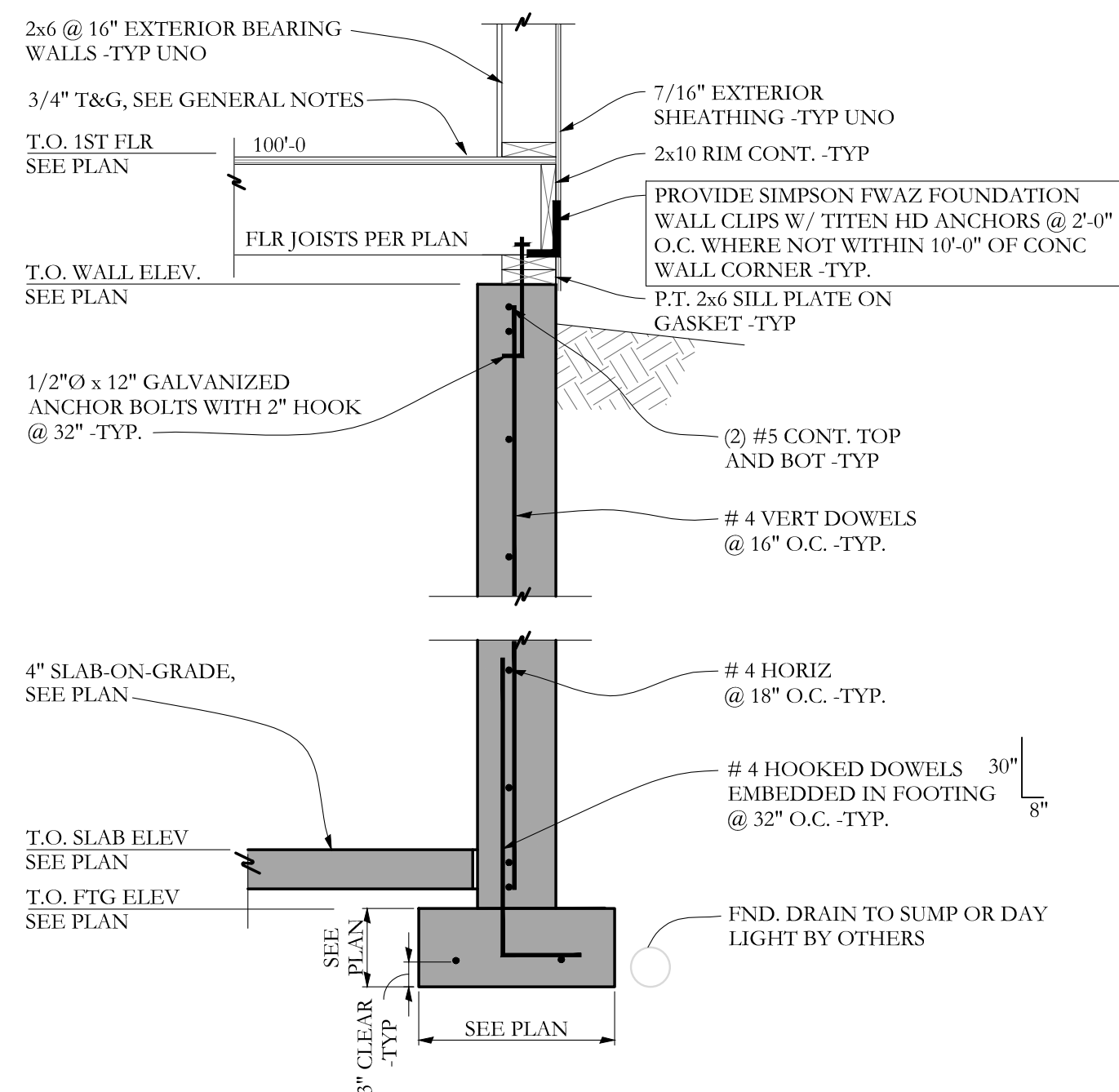


SECTION **I** 3/4"=1'-0

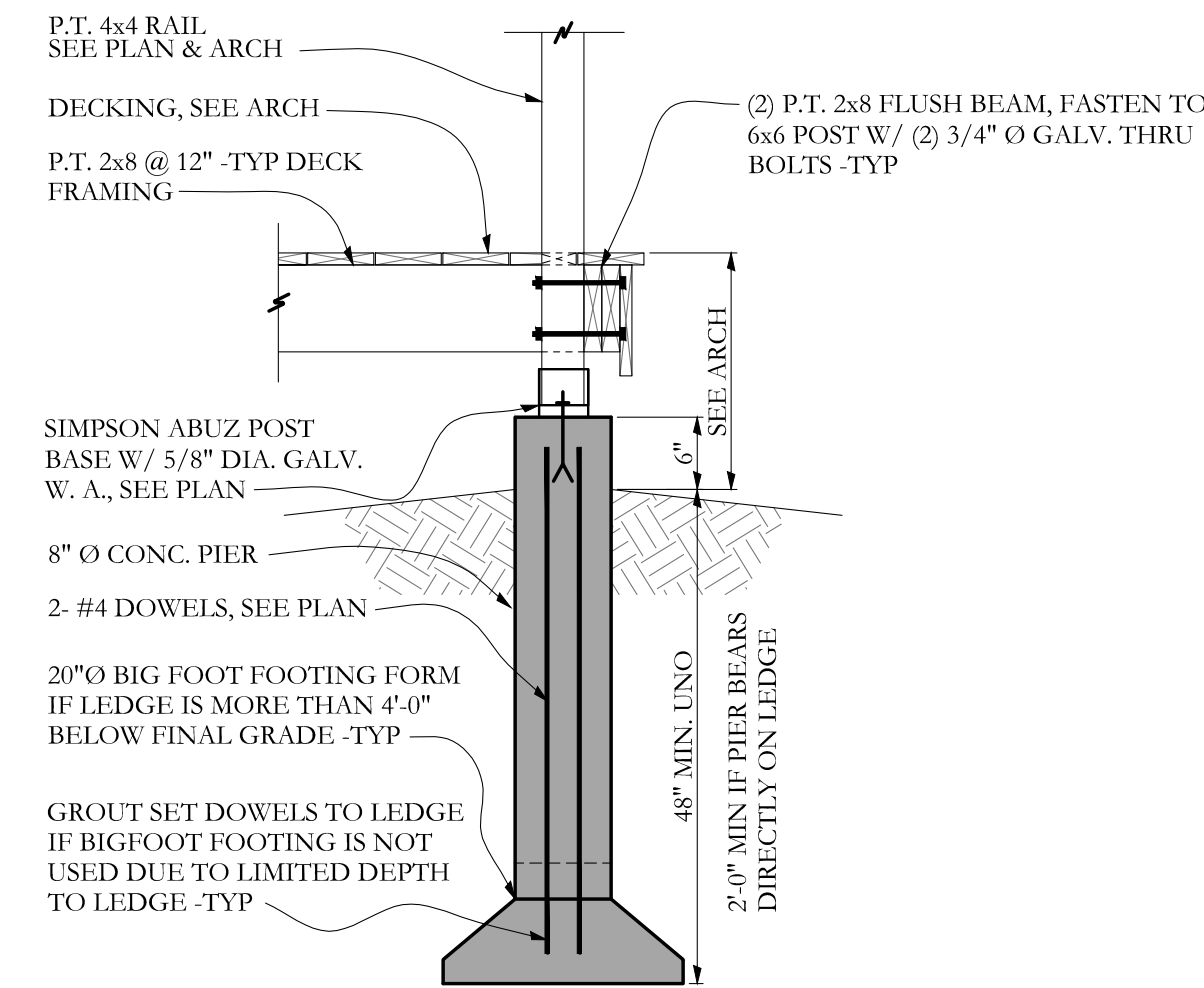


SECTION **E** 3/4"=1'-0

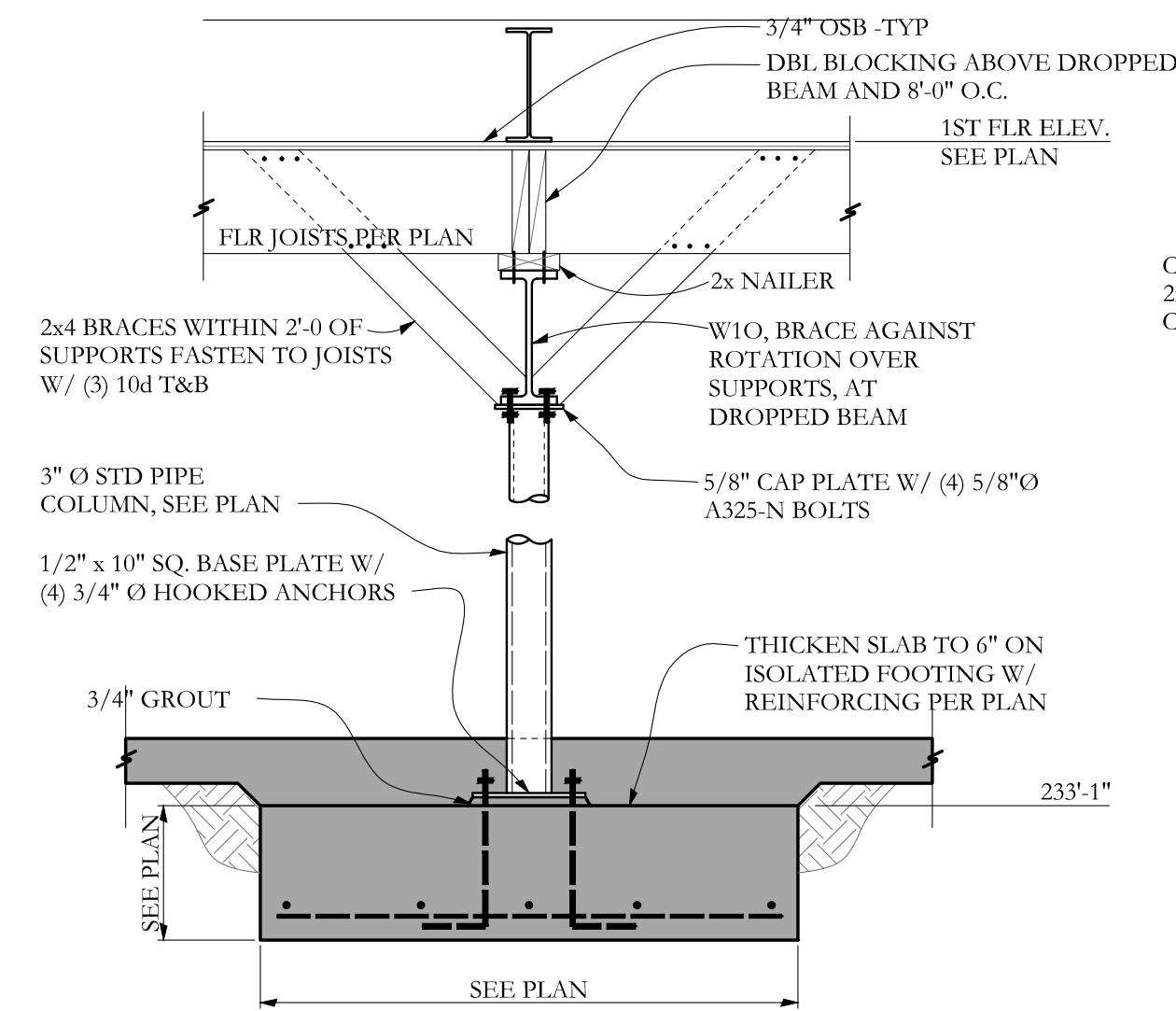
NOTE: DO NOT BACK FILL BASEMENT WALLS UNTIL SLAB AND MAIN LEVEL FLOOR IS IN PLACE. IF BACK FILL NEEDS TO HAPPEN PRIOR, SHORE FND WALLS ACCORDINGLY



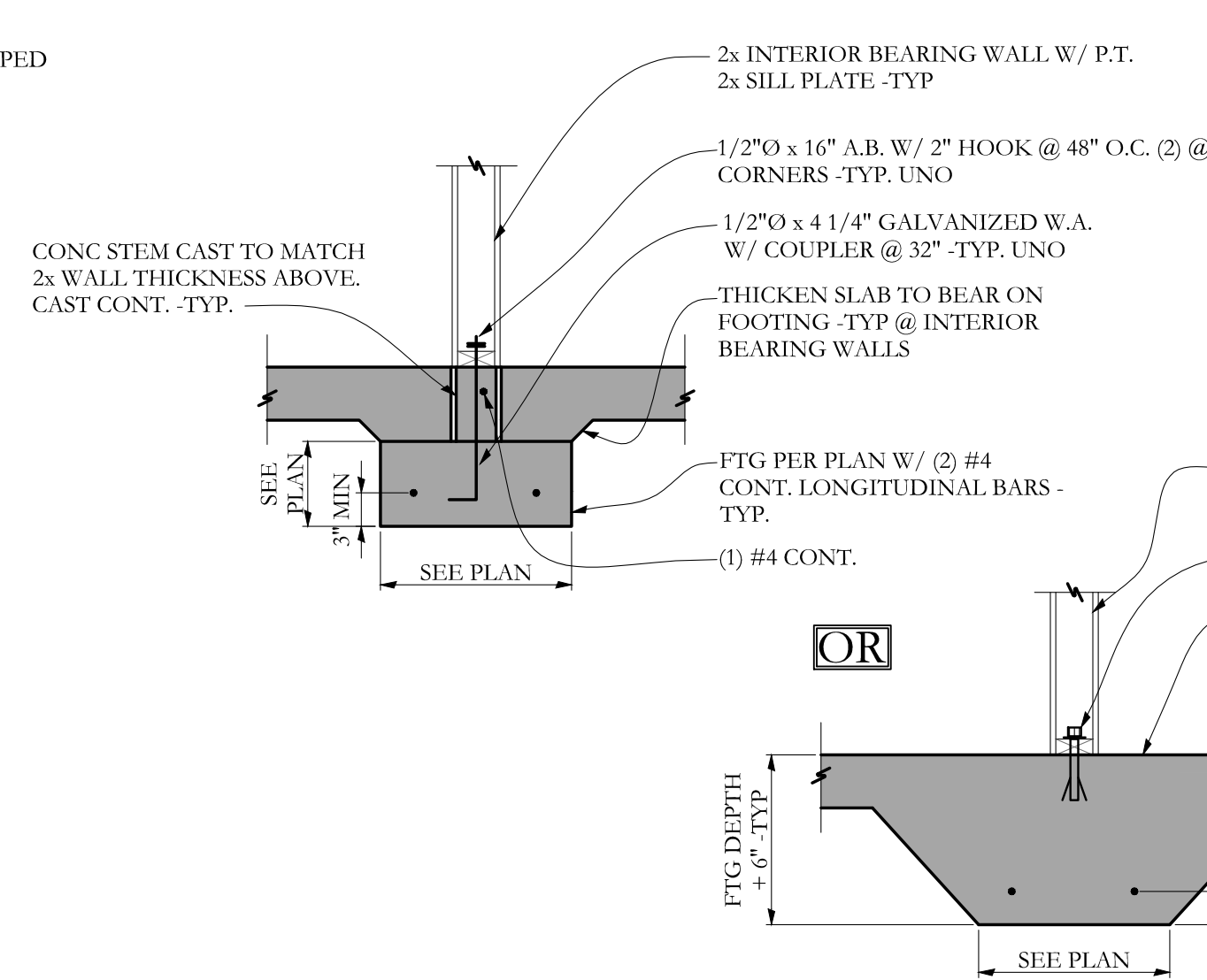
SECTION **A** 3/4"=1'-0



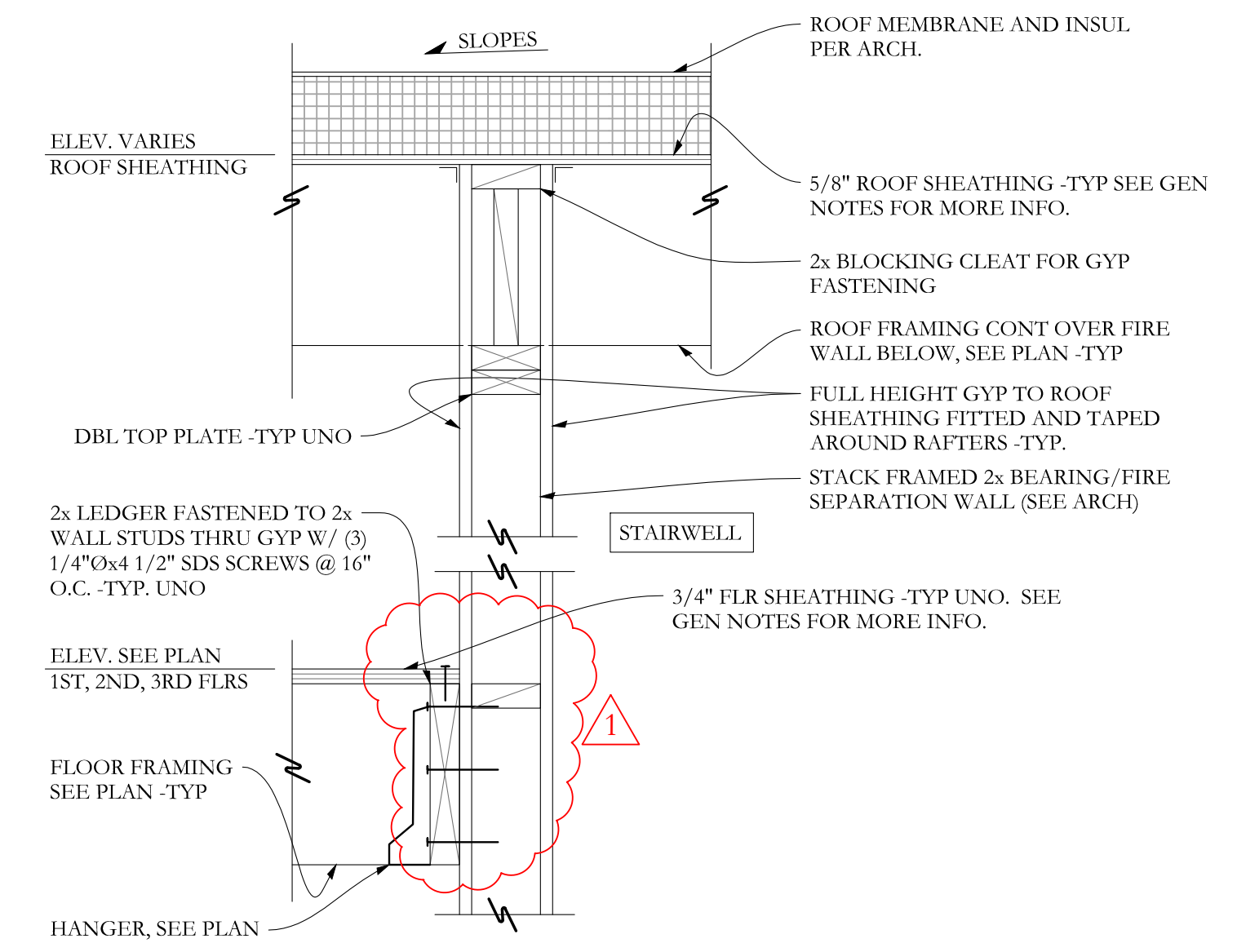
SECTION **F** 3/4"=1'-0



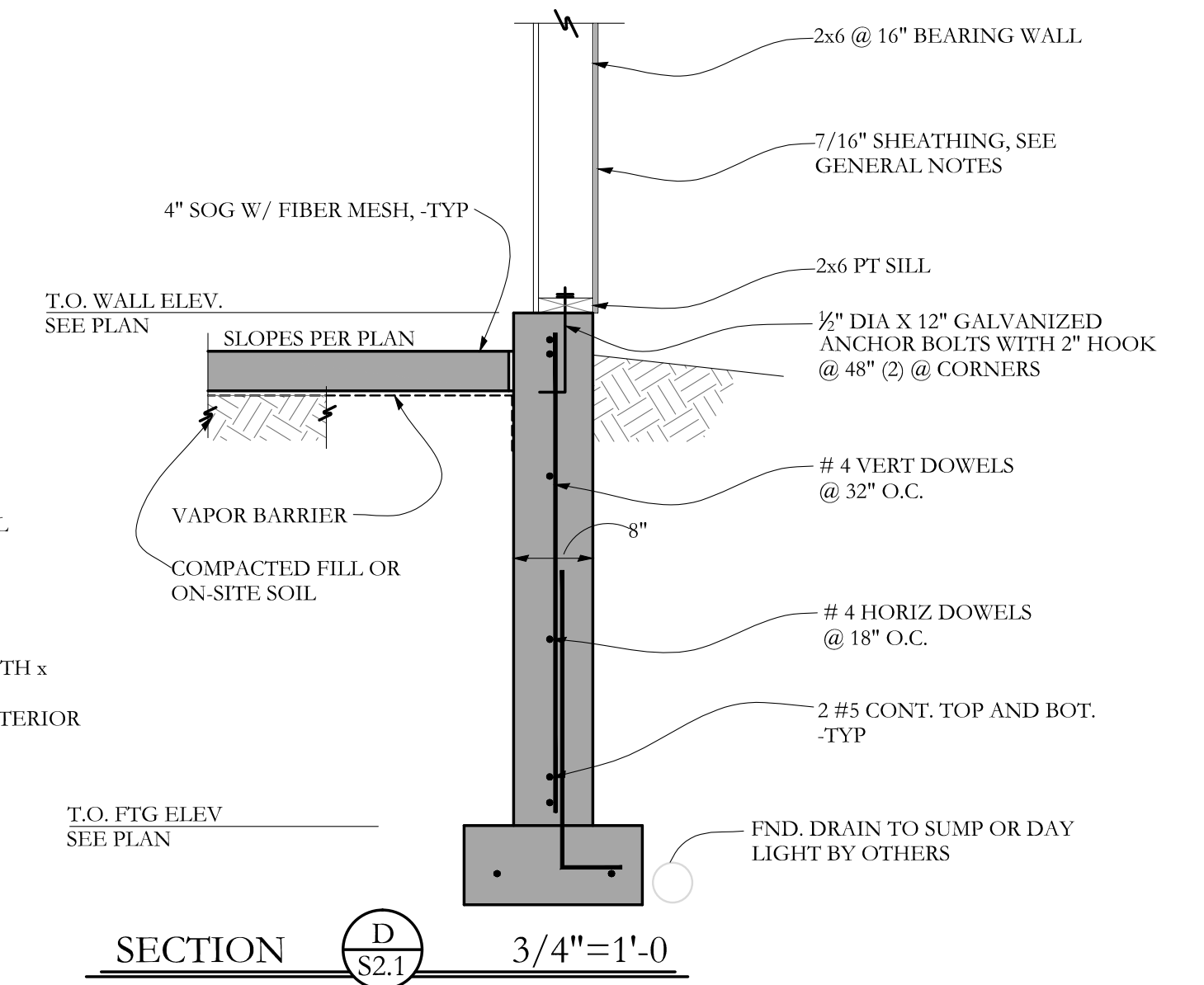
SECTION **B** 3/4"=1'-0



SECTION **C** 3/4"=1'-0



SECTION **G** 1 1/2"=1'-0



SECTION **D** 3/4"=1'-0