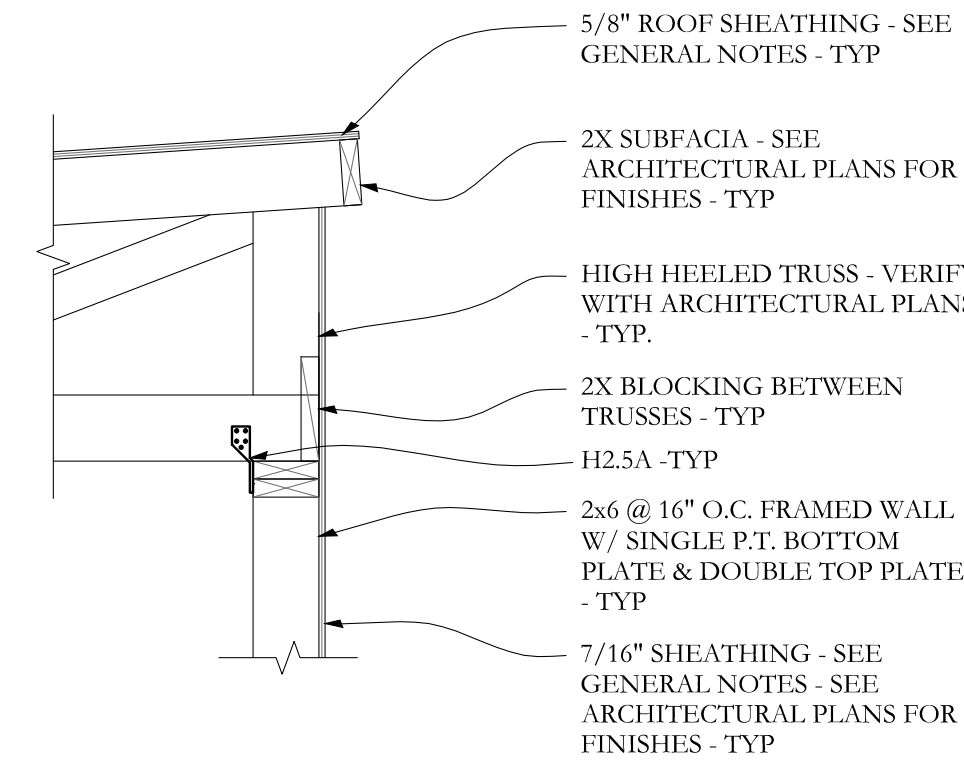
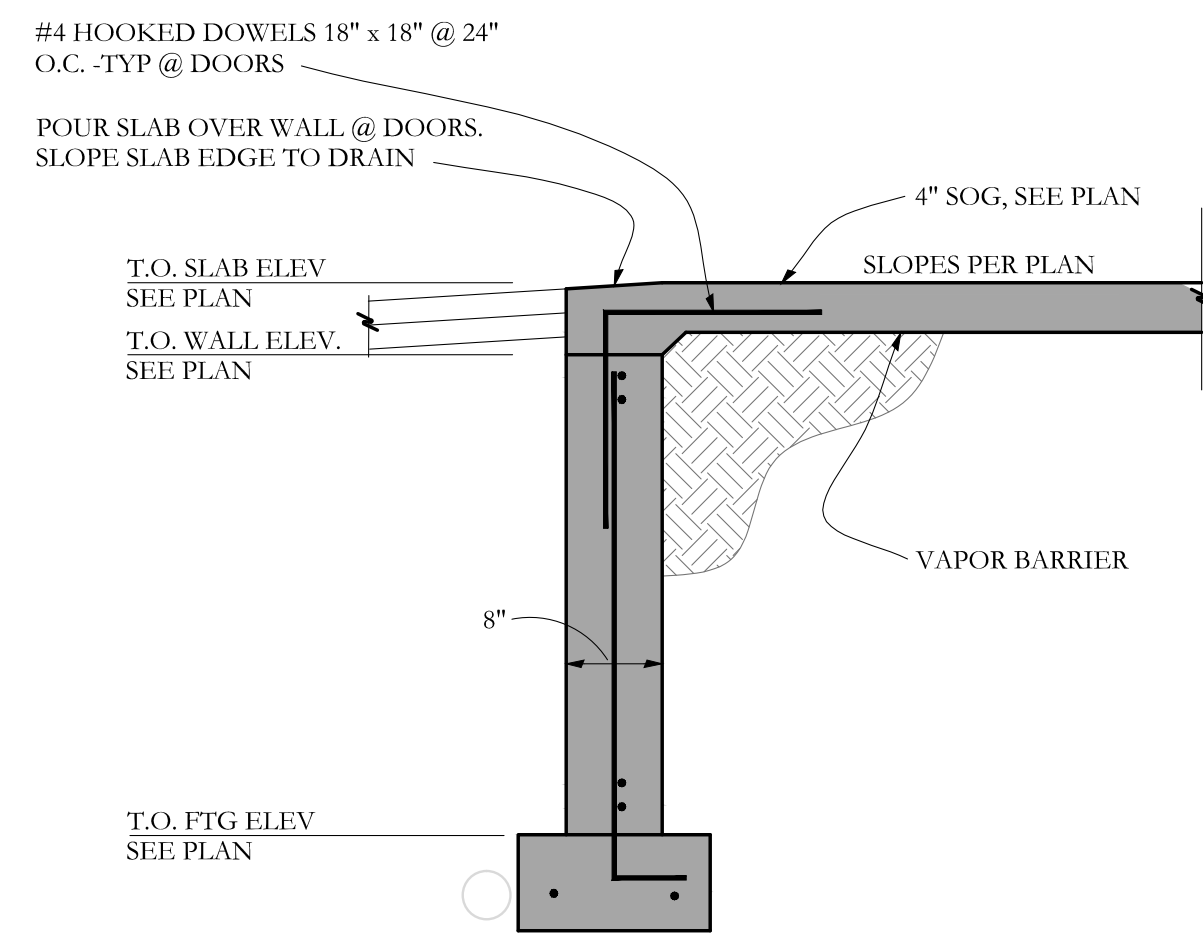


SECTION **H** S2.1 1 1/2"=1'-0

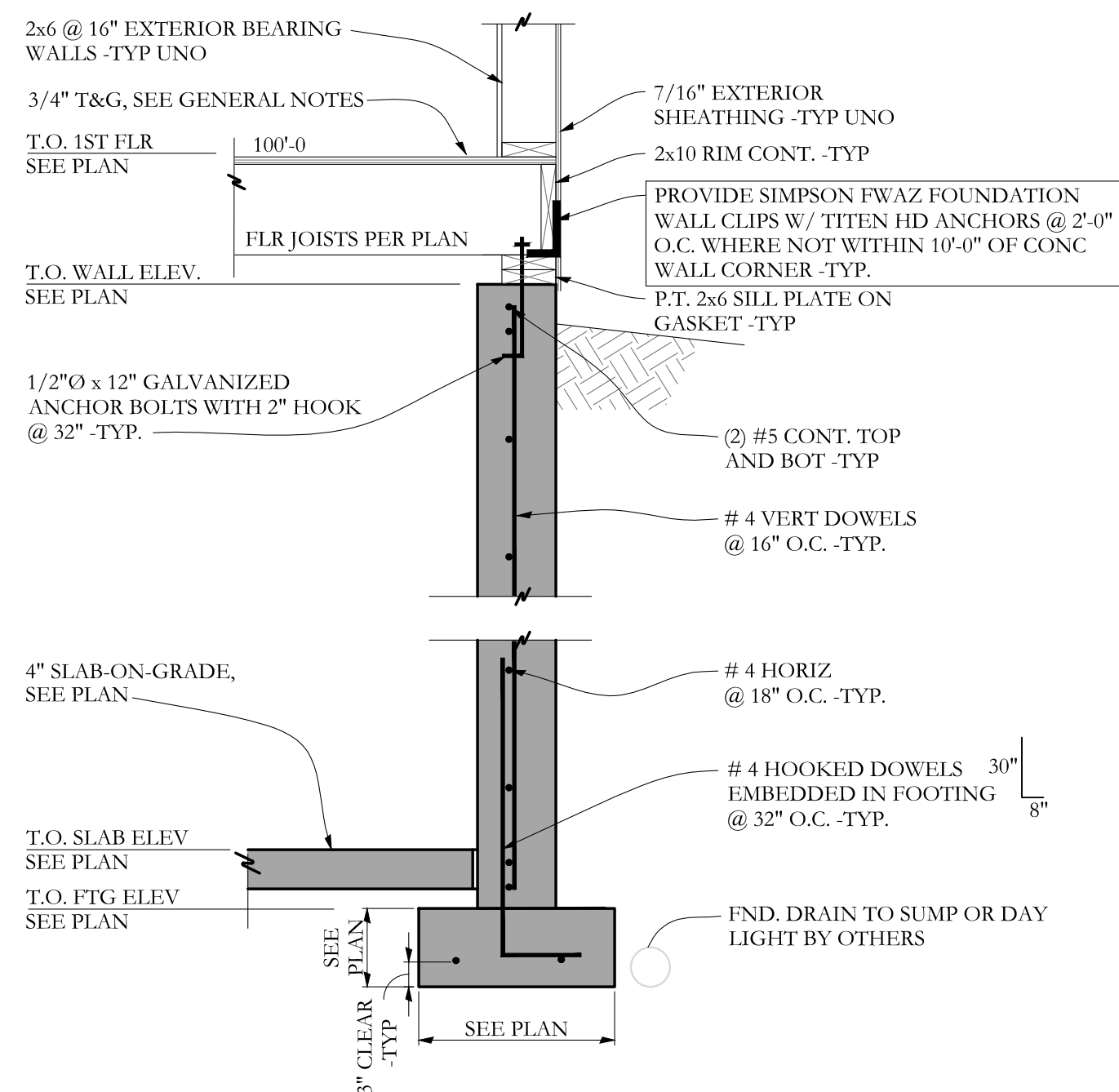


SECTION **I** S2.1 3/4"=1'-0

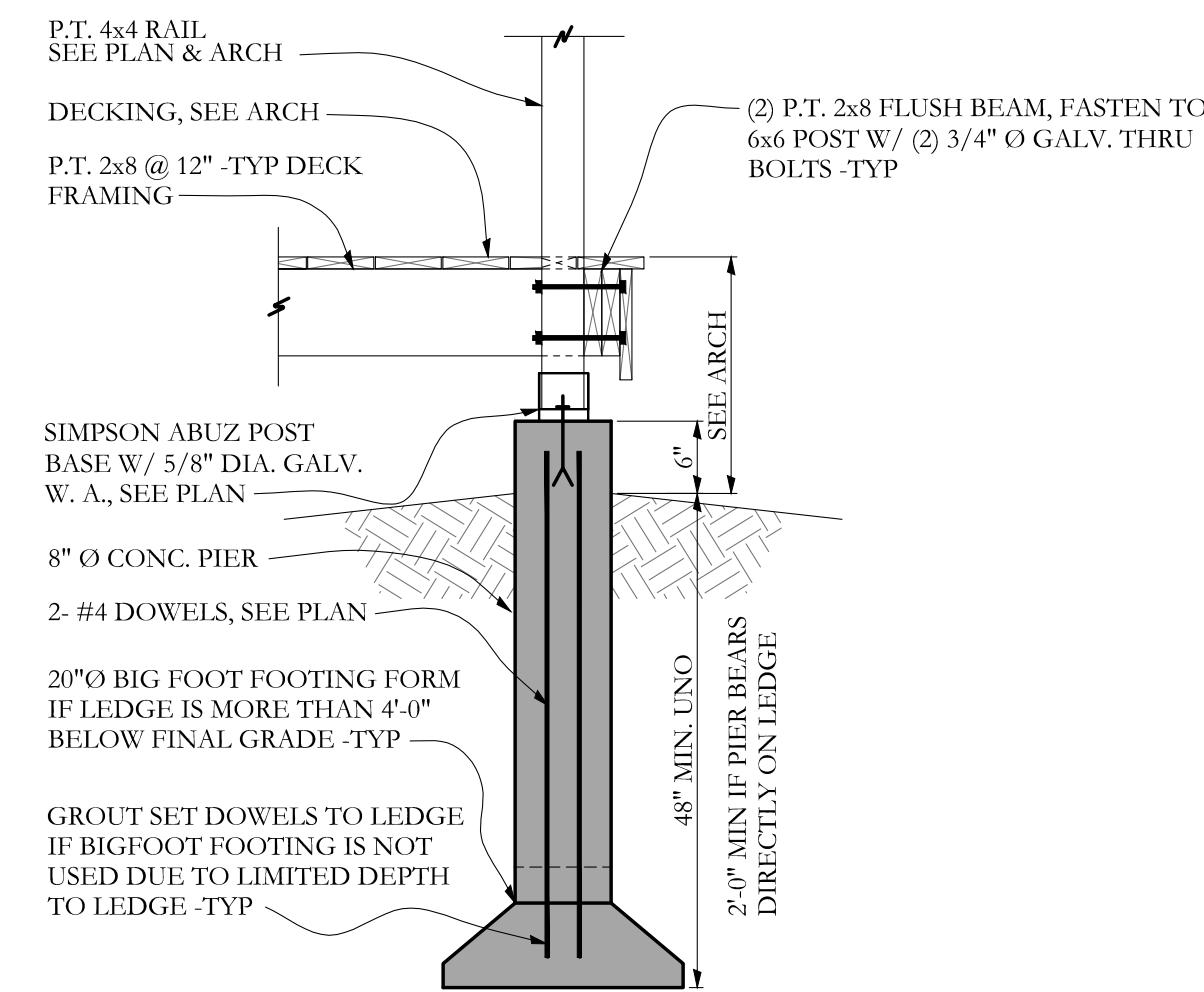


SECTION **E** S2.1 3/4"=1'-0

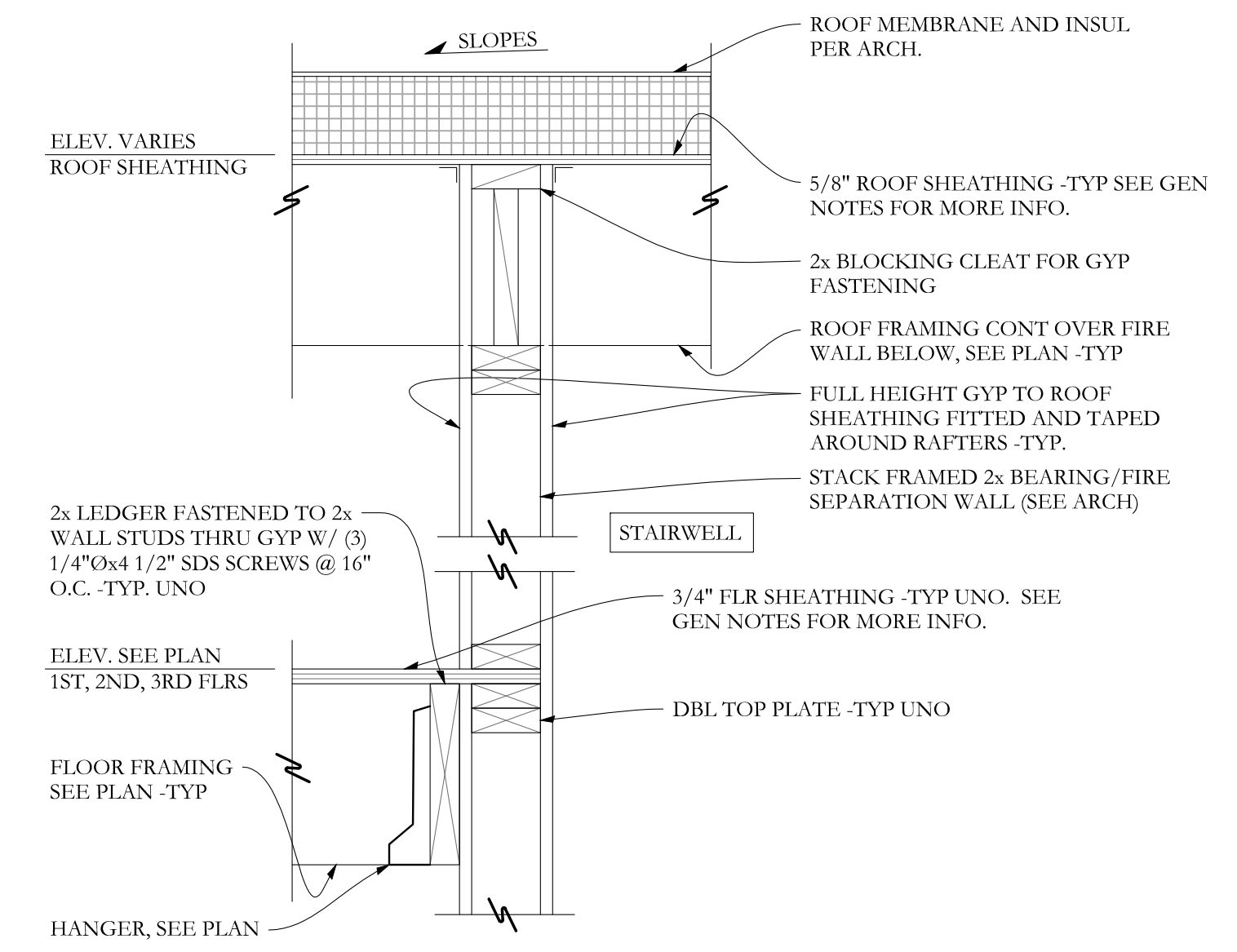
NOTE: DO NOT BACK FILL BASEMENT WALLS UNTIL SLAB AND MAIN LEVEL FLOOR IS IN PLACE. IF BACK FILL NEEDS TO HAPPEN PRIOR, SHORE FND WALLS ACCORDINGLY



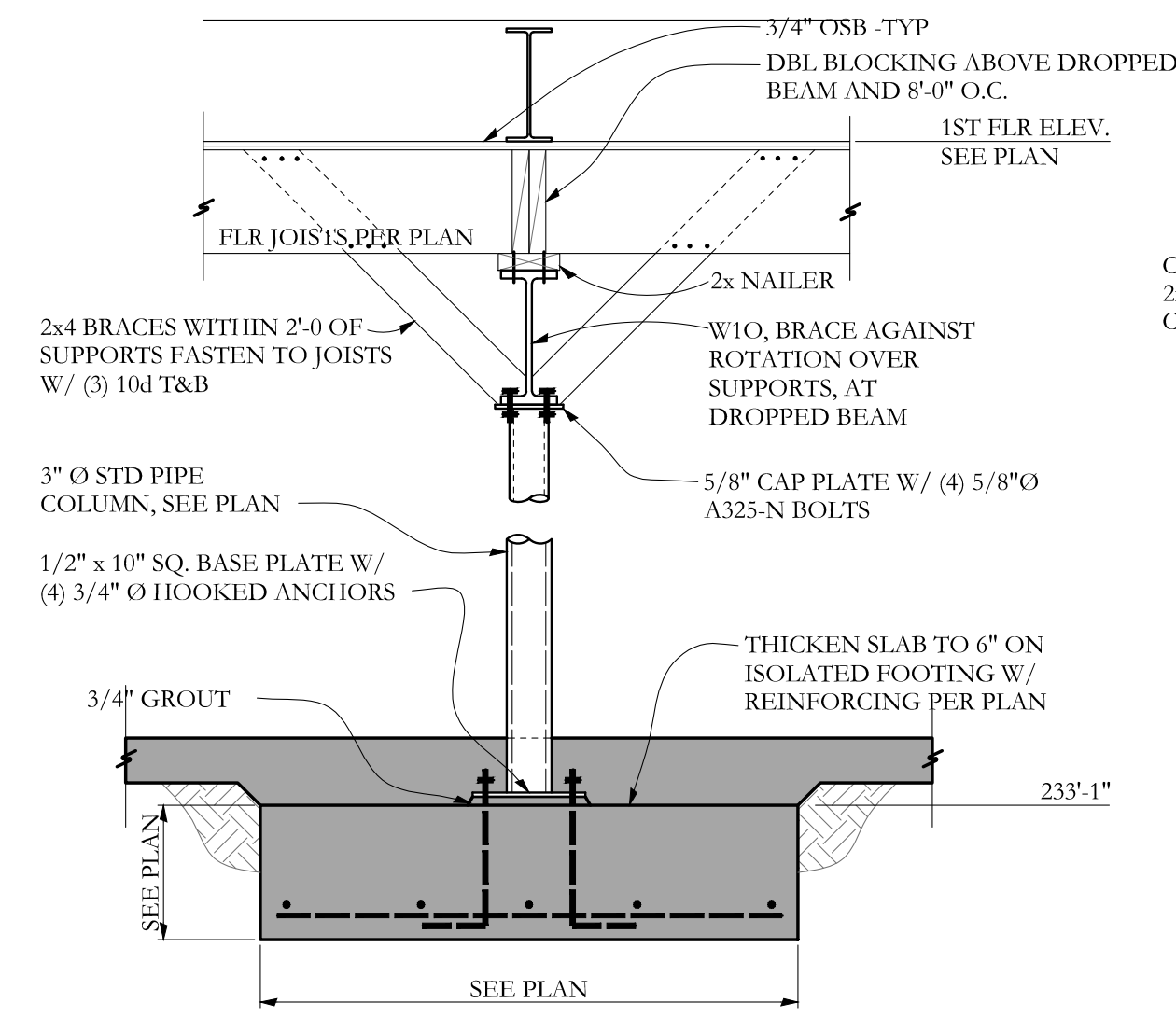
SECTION **A** S2.1 3/4"=1'-0



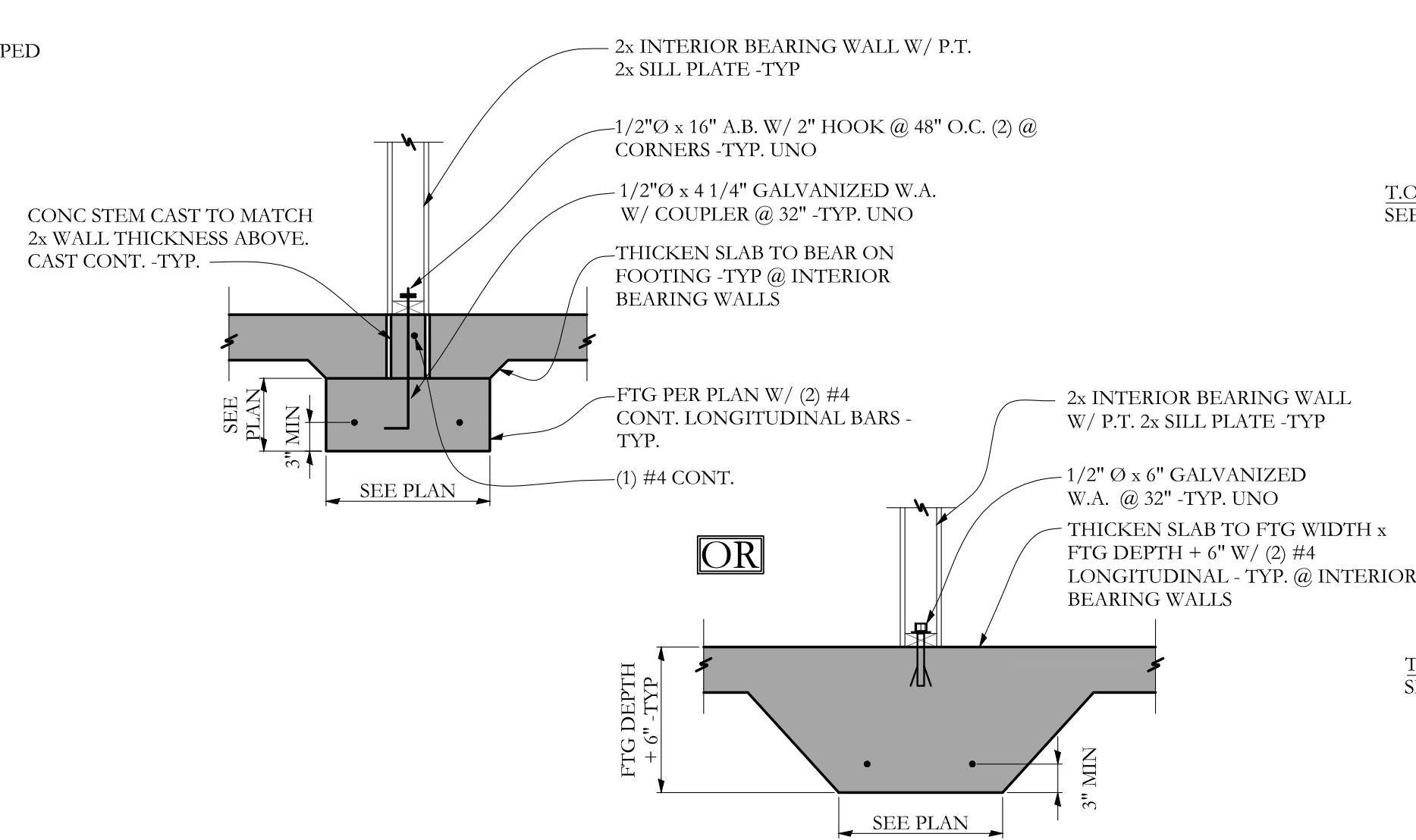
SECTION **F** S2.1 3/4"=1'-0



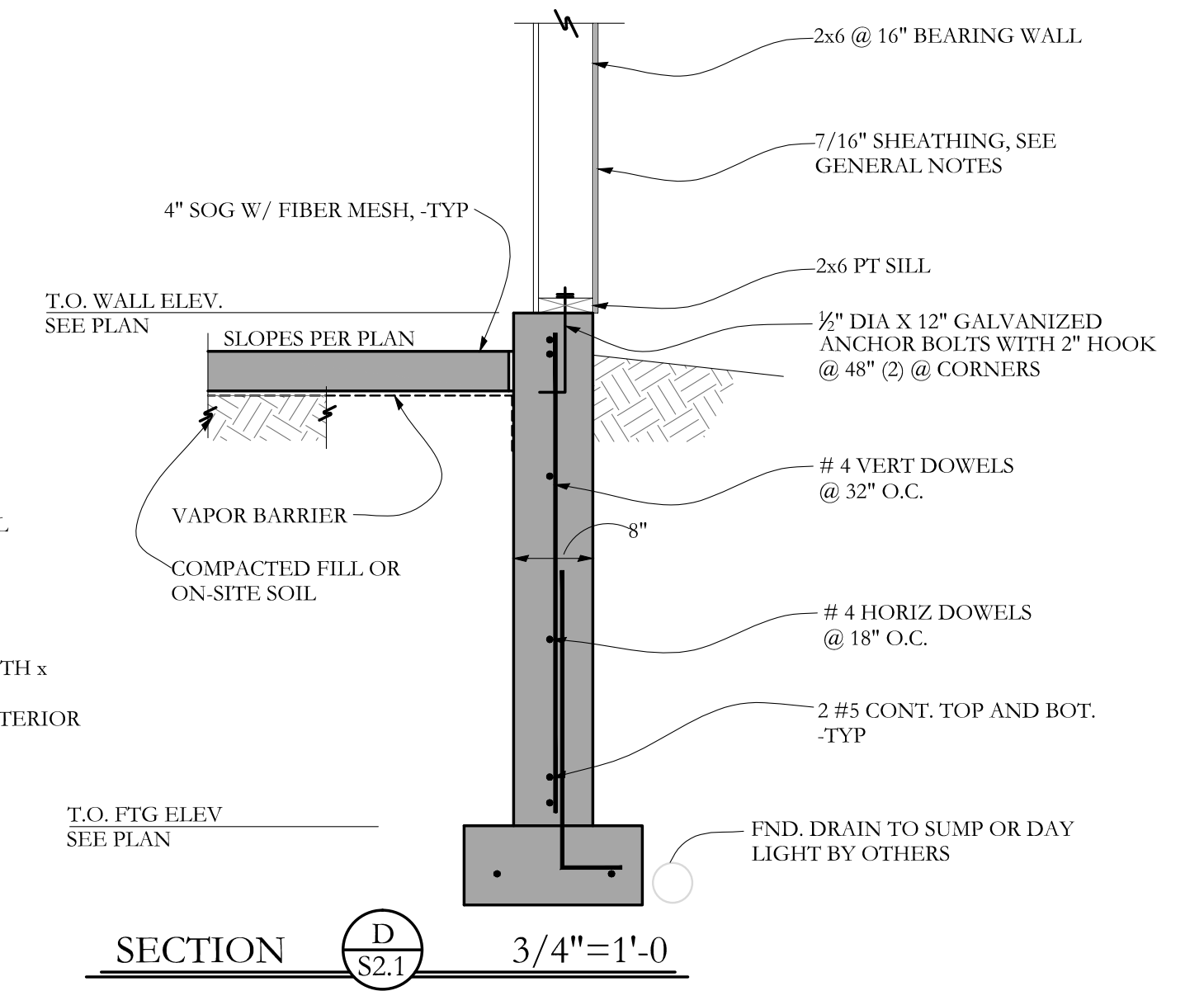
SECTION **G** S2.1 1 1/2"=1'-0



SECTION **B** S2.1 3/4"=1'-0



SECTION **C** S2.1 3/4"=1'-0



SECTION **D** S2.1 3/4"=1'-0